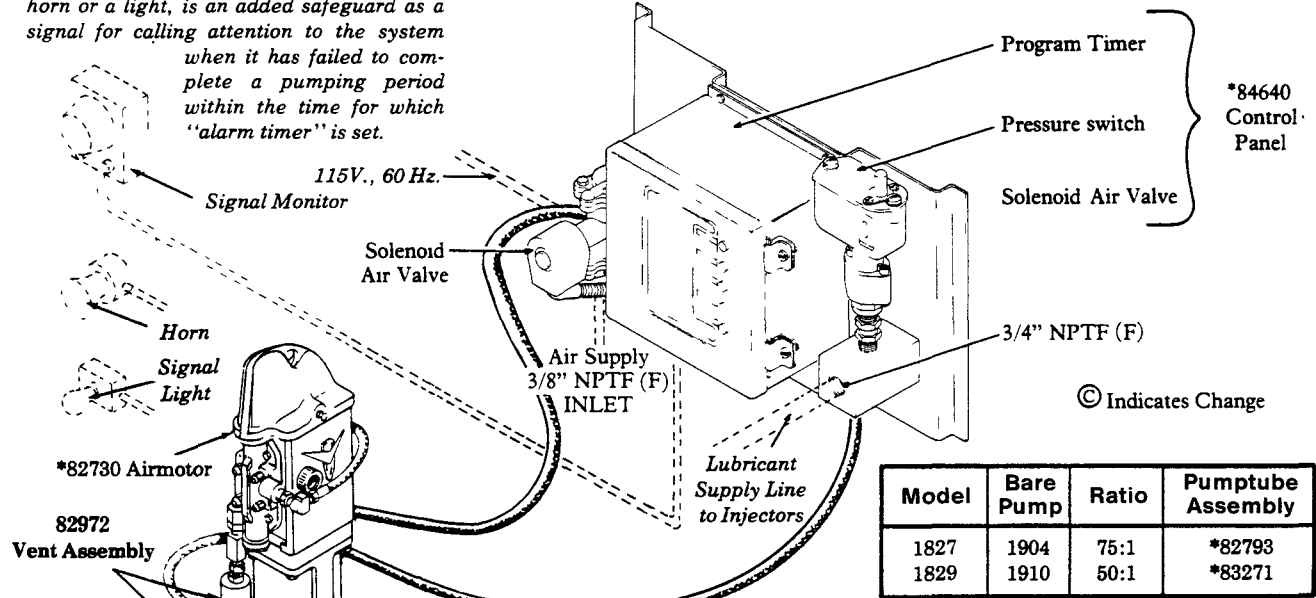


**AIR OPERATED - 400 LB. DRUM SIZE
HIGH PRESSURE, 2500 PSI GREASE SYSTEM**

MONITOR SIGNALS: A monitor, either a horn or a light, is an added safeguard as a signal for calling attention to the system when it has failed to complete a pumping period within the time for which "alarm timer" is set.



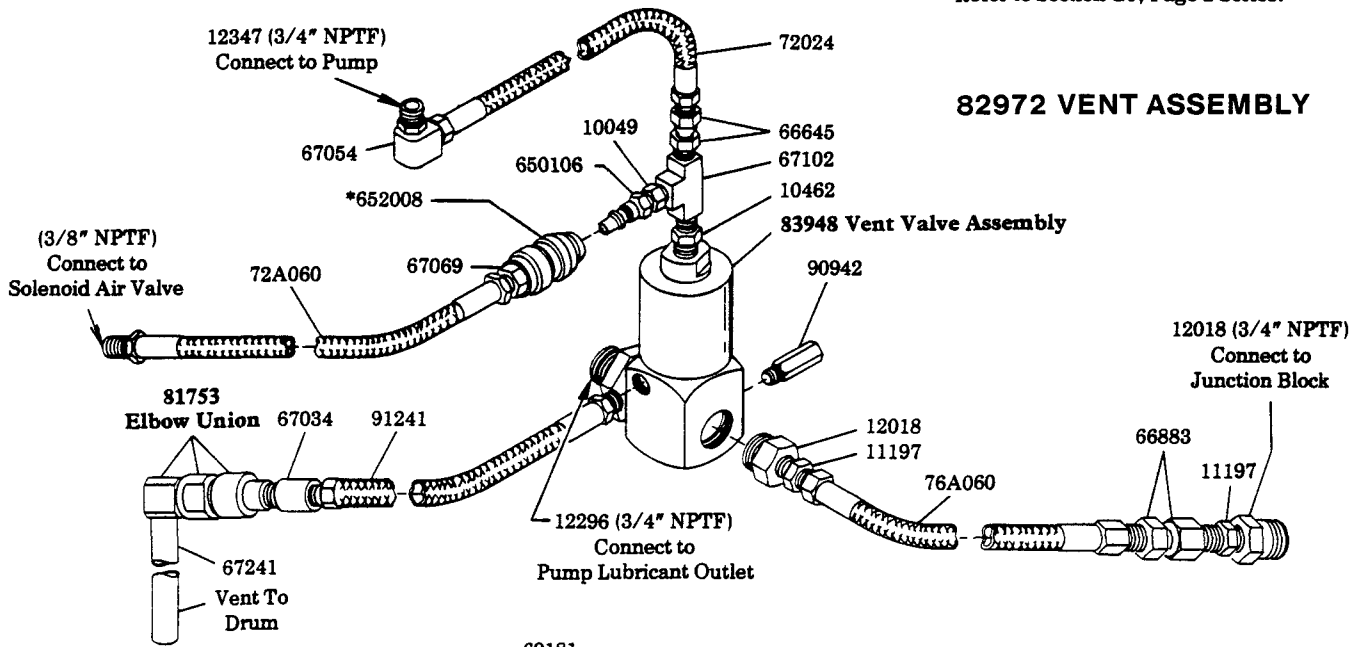
Model	Bare Pump	Ratio	Pumptube Assembly
1827	1904	75:1	*82793
1829	1910	50:1	*83271

SERVICE PARTS

Part	Description	Part	Description
10049	Adapter	66645	Adapter union
10462	Nipple	66883	Adapter union
10724	Elbow union nut	67034	Pipe coupling
11197	Nipple	67054	Street elbow
11907	Check union nipple	67069	Bushing
12018	Reducer	67102	Tee
12296	Nipple	67241	Vent pipe
12347	Bushing	69181	Lockwasher
14720	Air cylinder	70417	Plug button
14721	Piston	72024	Air hose
14722	Needle	72A060	Air hose
14723	Valve seat	76A060	High pressure hose
16377	Check housing	81675	Drum cover assembly
31047	Check seat gasket	81753	Union & elbow assembly
34049	Elbow union gasket	82730	Airmotor
34229	Packing	82972	Vent assembly
38054	Vent pipe packing	83948	Vent valve assembly
40231	Flange	84640	Control panel
45671	Packing housing	90942	Safety unloader
50016	Screw	91149	Drum cover
50022	Screw	91241	Volume hose
50511	Set screw	91681	Cover plate
50657	Stove bolt	239330	Viton packing ass'y.
50803	Thumb screw	239336	Valve body
51057	Housing nut	650106	Coupler nipple
66088	Cotter pin	652008	Air coupler

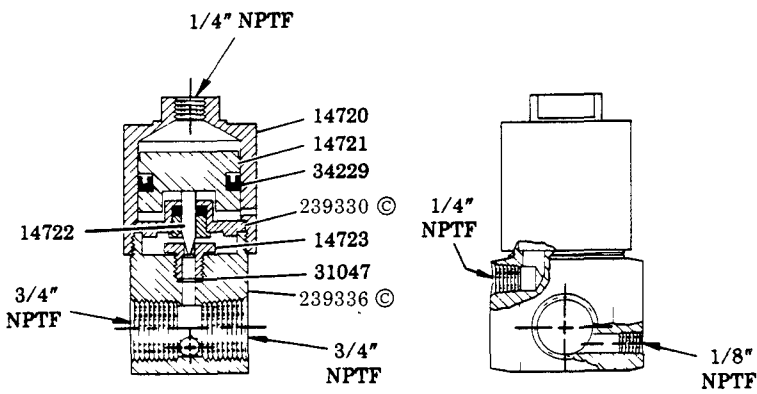
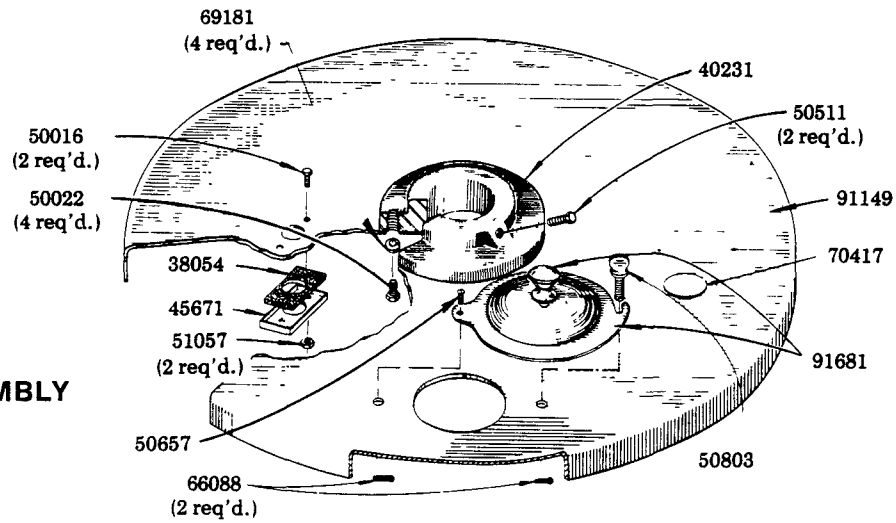
- *84640 Control Panel - Refer to Section C8, Page 223 Series.
- *82730 Airmotor - Refer to Section A50, Page 3 Series.
- *82793 Pumptube Assembly - Refer to Section A50, Page 50 Series.
- *83271 Pumptube Assembly - Refer to Section A50, Page 50 Series.

*652008 Air Coupler
Refer to Section G9, Page 2 Series.

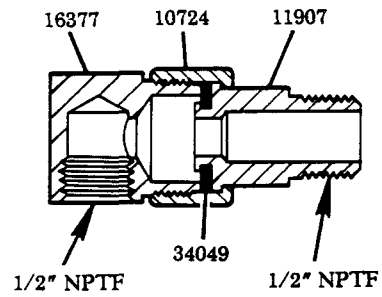


82972 VENT ASSEMBLY

81675 DRUM COVER ASSEMBLY



83948 VENT VALVE ASSEMBLY



81753 ELBOW UNION