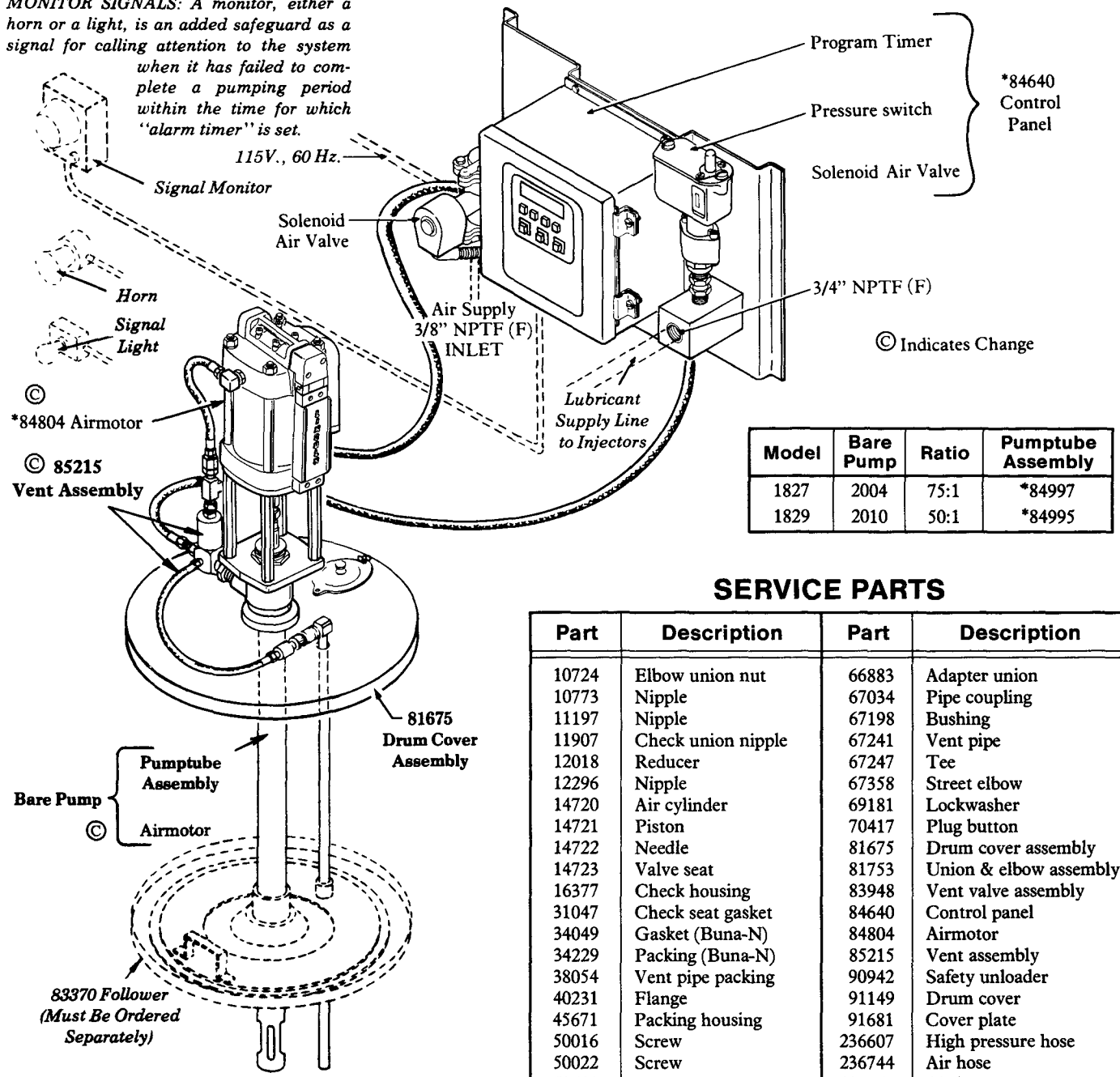


AIR OPERATED - 400 LB. DRUM SIZE
HIGH PRESSURE, 2500 PSI GREASE SYSTEM

MONITOR SIGNALS: A monitor, either a horn or a light, is an added safeguard as a signal for calling attention to the system when it has failed to complete a pumping period within the time for which "alarm timer" is set.



Model	Bare Pump	Ratio	Pumptube Assembly
1827	2004	75:1	*84997
1829	2010	50:1	*84995

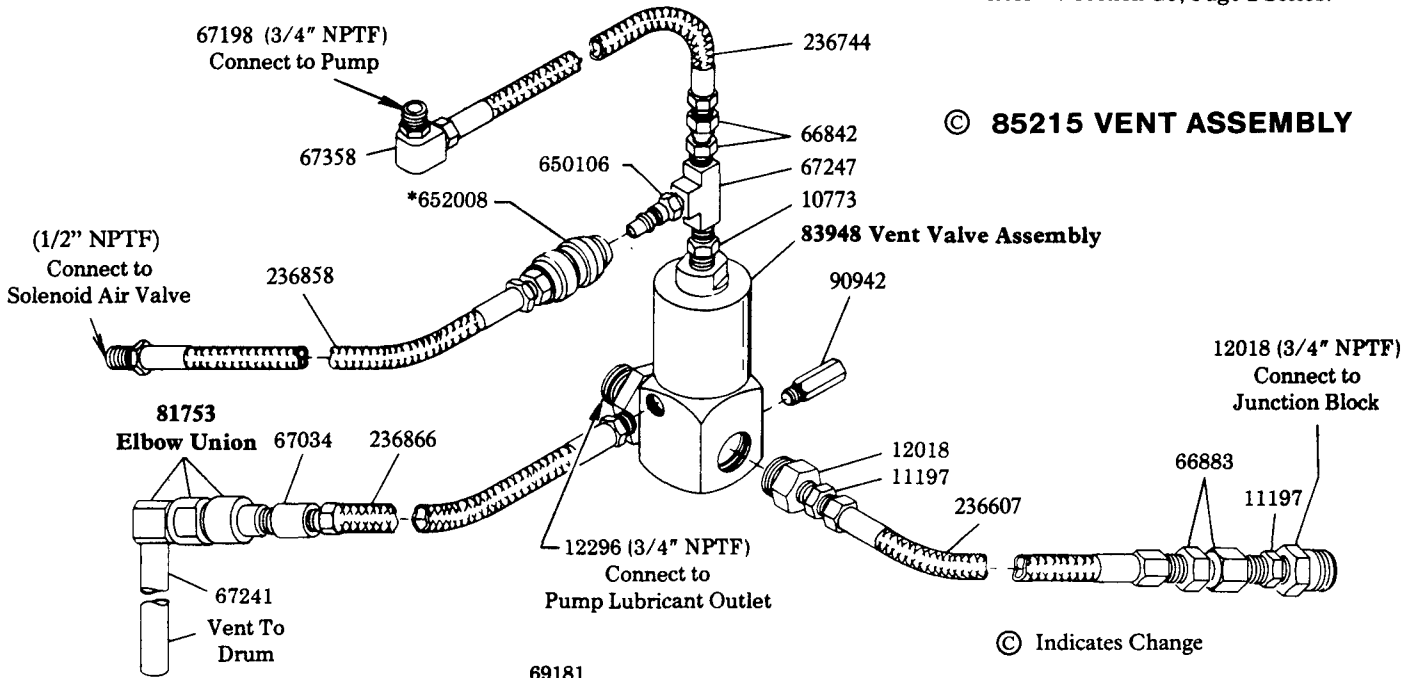
SERVICE PARTS

Part	Description	Part	Description
10724	Elbow union nut	66883	Adapter union
10773	Nipple	67034	Pipe coupling
11197	Nipple	67198	Bushing
11907	Check union nipple	67241	Vent pipe
12018	Reducer	67247	Tee
12296	Nipple	67358	Street elbow
14720	Air cylinder	69181	Lockwasher
14721	Piston	70417	Plug button
14722	Needle	81675	Drum cover assembly
14723	Valve seat	81753	Union & elbow assembly
16377	Check housing	83948	Vent valve assembly
31047	Check seat gasket	84640	Control panel
34049	Gasket (Buna-N)	84804	Airmotor
34229	Packing (Buna-N)	85215	Vent assembly
38054	Vent pipe packing	90942	Safety unloader
40231	Flange	91149	Drum cover
45671	Packing housing	91681	Cover plate
50016	Screw	236607	High pressure hose
50022	Screw	236744	Air hose
50511	Set screw	236858	Air hose
50657	Stove bolt	236866	Volume hose
50803	Thumb screw	239330	Viton packing assembly
51057	Housing nut	239336	Valve body
66088	Cotter pin	650106	Coupler nipple
66842	Adapter union	652008	Air coupler

- *84640 Control Panel - Refer to Section C8, Page 223 Series.
- *84804 Airmotor - Refer to Section A50, Page 78 Series.
- *84997 Pumptide Assembly - Refer to Section A50, Page 82 Series.
- *84995 Pumptide Assembly - Refer to Section A50, Page 82 Series.

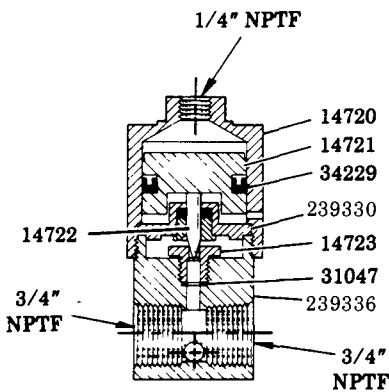
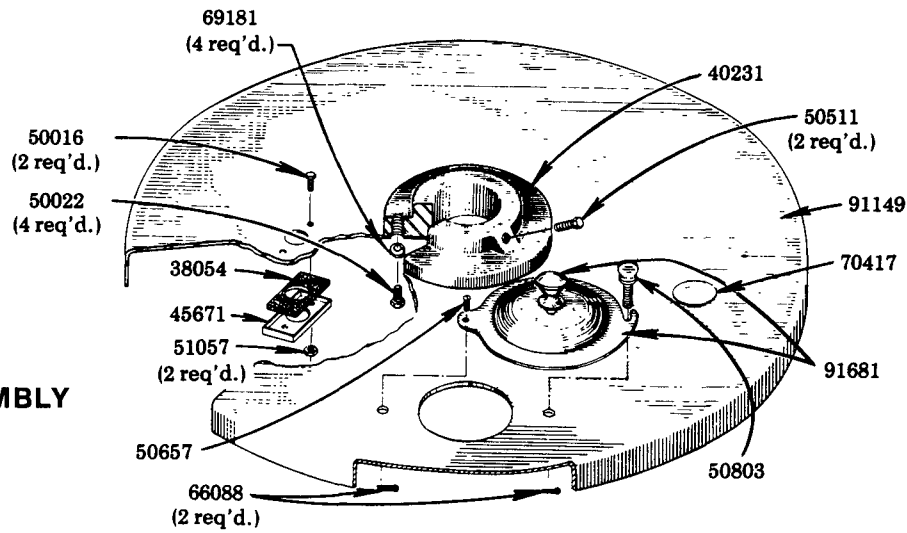
*652008 Air Coupler
Refer to Section G9, Page 2 Series.

© 85215 VENT ASSEMBLY

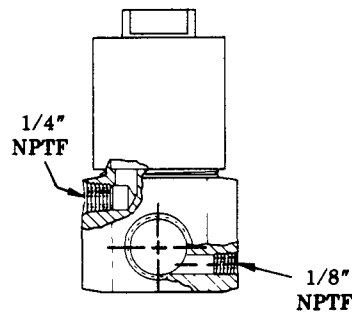


© Indicates Change

81675
DRUM COVER ASSEMBLY



83948
VENT VALVE ASSEMBLY



81753
ELBOW UNION

