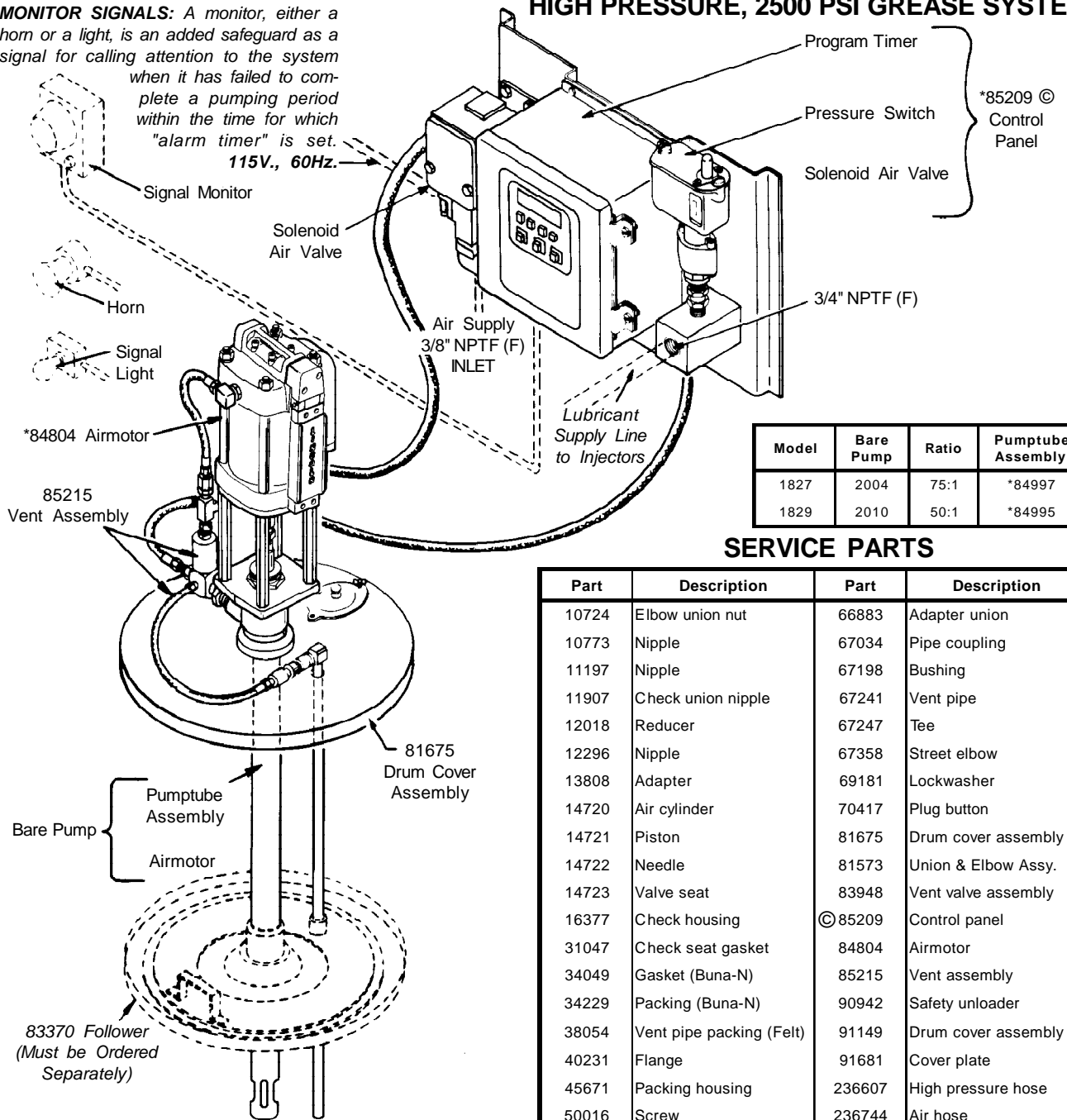


AIR OPERATED - 400 LB. DRUM SIZE
HIGH PRESSURE, 2500 PSI GREASE SYSTEM

MONITOR SIGNALS: A monitor, either a horn or a light, is an added safeguard as a signal for calling attention to the system when it has failed to complete a pumping period within the time for which "alarm timer" is set. **115V., 60Hz.**



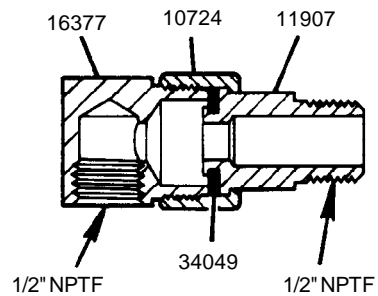
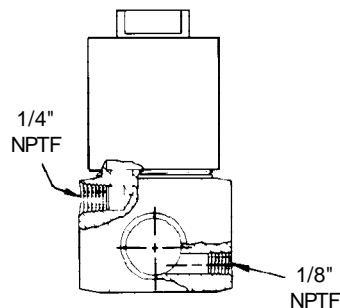
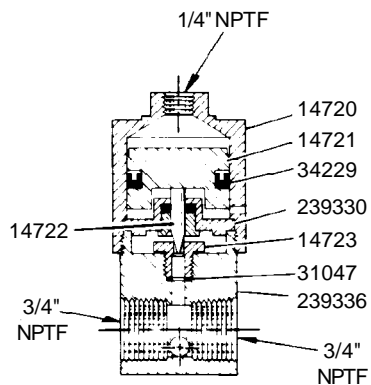
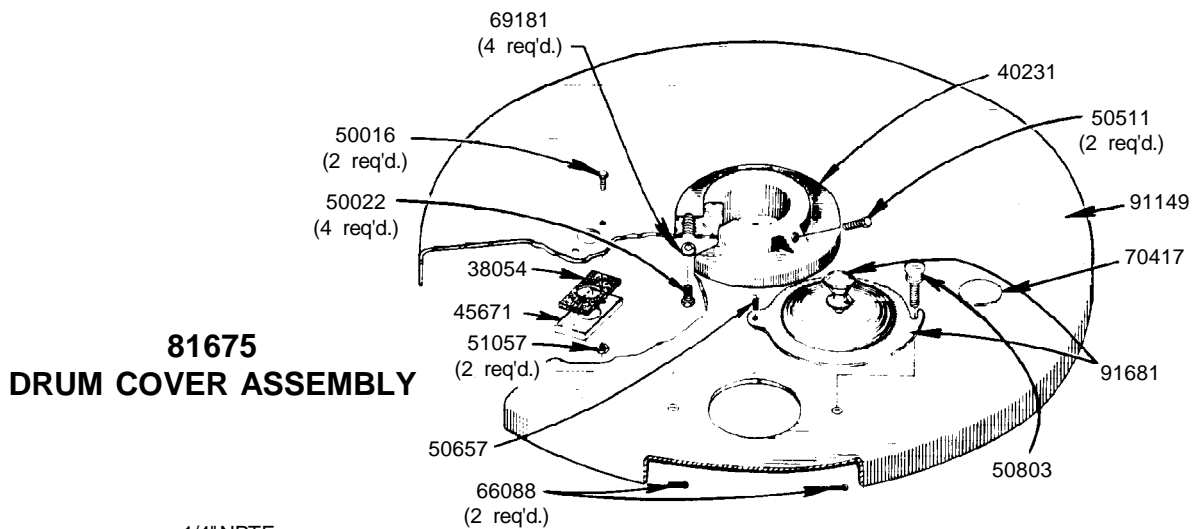
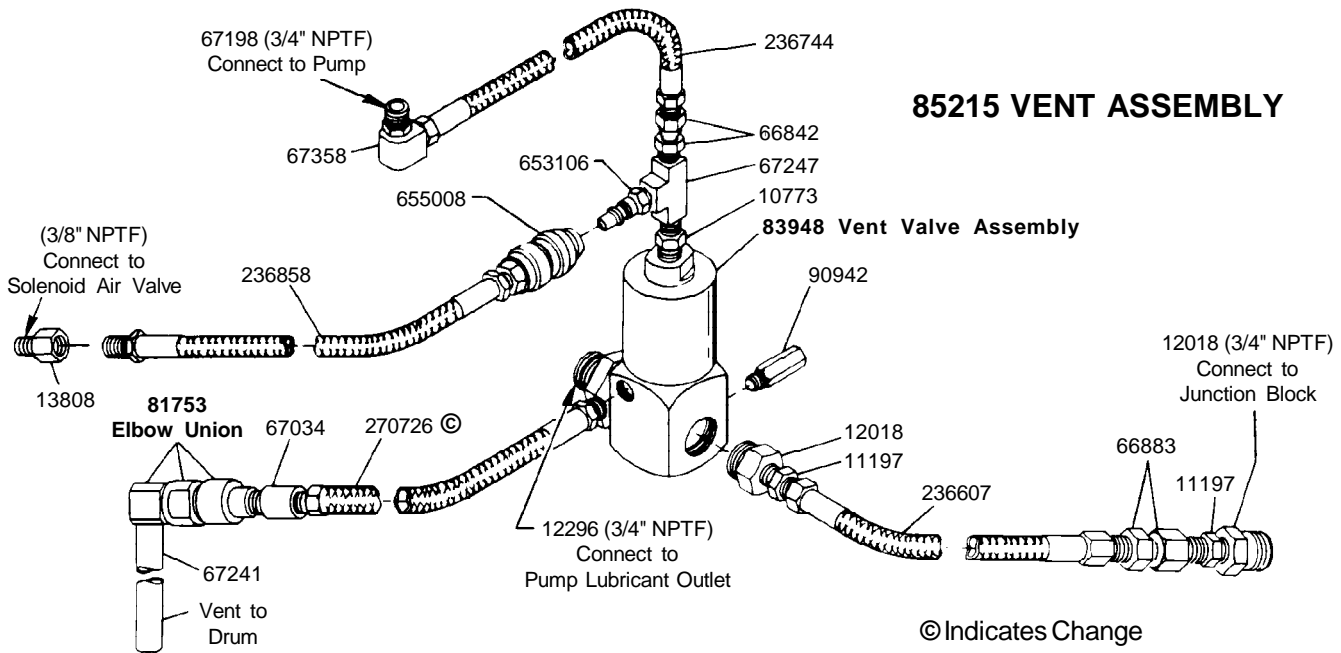
Model	Bare Pump	Ratio	Pumptube Assembly
1827	2004	75:1	*84997
1829	2010	50:1	*84995

SERVICE PARTS

Part	Description	Part	Description
10724	Elbow union nut	66883	Adapter union
10773	Nipple	67034	Pipe coupling
11197	Nipple	67198	Bushing
11907	Check union nipple	67241	Vent pipe
12018	Reducer	67247	Tee
12296	Nipple	67358	Street elbow
13808	Adapter	69181	Lockwasher
14720	Air cylinder	70417	Plug button
14721	Piston	81675	Drum cover assembly
14722	Needle	81573	Union & Elbow Assy.
14723	Valve seat	83948	Vent valve assembly
16377	Check housing	© 85209	Control panel
31047	Check seat gasket	84804	Airmotor
34049	Gasket (Buna-N)	85215	Vent assembly
34229	Packing (Buna-N)	90942	Safety unloader
38054	Vent pipe packing (Felt)	91149	Drum cover assembly
40231	Flange	91681	Cover plate
45671	Packing housing	236607	High pressure hose
50016	Screw	236744	Air hose
50022	Screw	236858	Air hose
50511	Set screw	© 270726	Volume hose
50657	Stove bolt	239330	Viton packing assembly
50803	Thumb screw	239336	Valve body
51057	Housing nut	653106	Coupler nipple
66088	Cotter pin	655008	Air coupler
66842	Adapter union		

- ©
- *85209 Control Panel - Refer to Section C8, Page 262 Series.
- *84804 Airmotor - Refer to Section A50, Page 78 Series.
- *84997 Pumptube Assembly - Refer to Section A50, Page 82 Series.
- *84995 Pumptube Assembly - Refer to Section A50, Page 82 Series.

© Indicates Change



RETAIN THIS INFORMATION FOR FUTURE REFERENCE

When ordering replacement parts, list: Part Number, Description, Model Number and Series Letter.
LINCOLN provides a Distributor Network that stocks equipment and replacement parts.