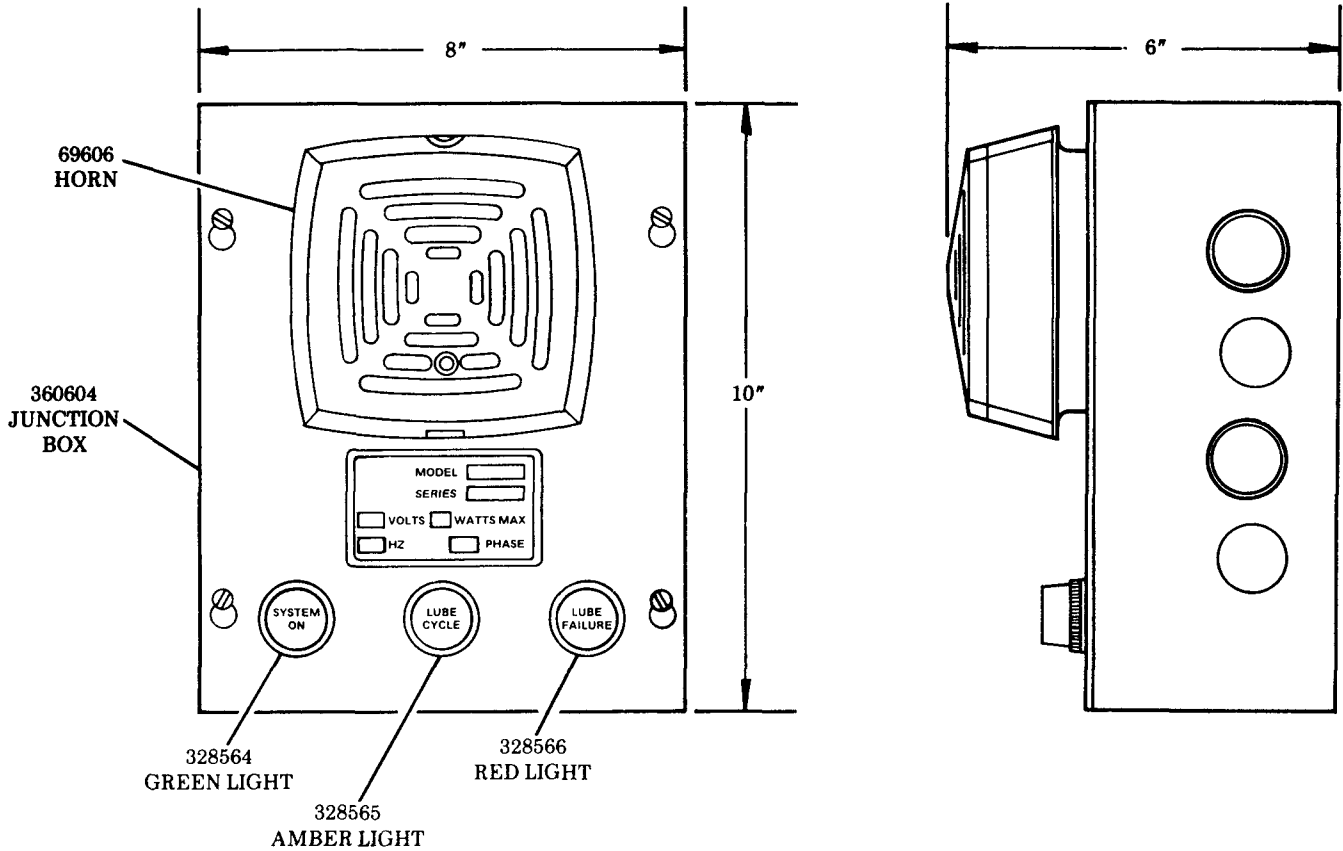


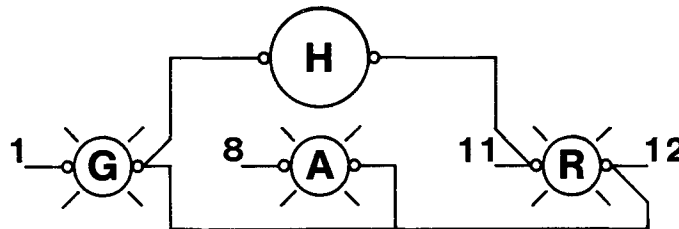
MODEL 83354



ELECTRICAL SPECIFICATIONS

The 83354 is designed for use on 115 volts, 60 hertz. Maximum power required is 35 volt-amps. UL approved junction box, lamps and horn.

NOTE: Indicator lights use No. 755 (Chicago Miniature or G.E.) miniature lamps.

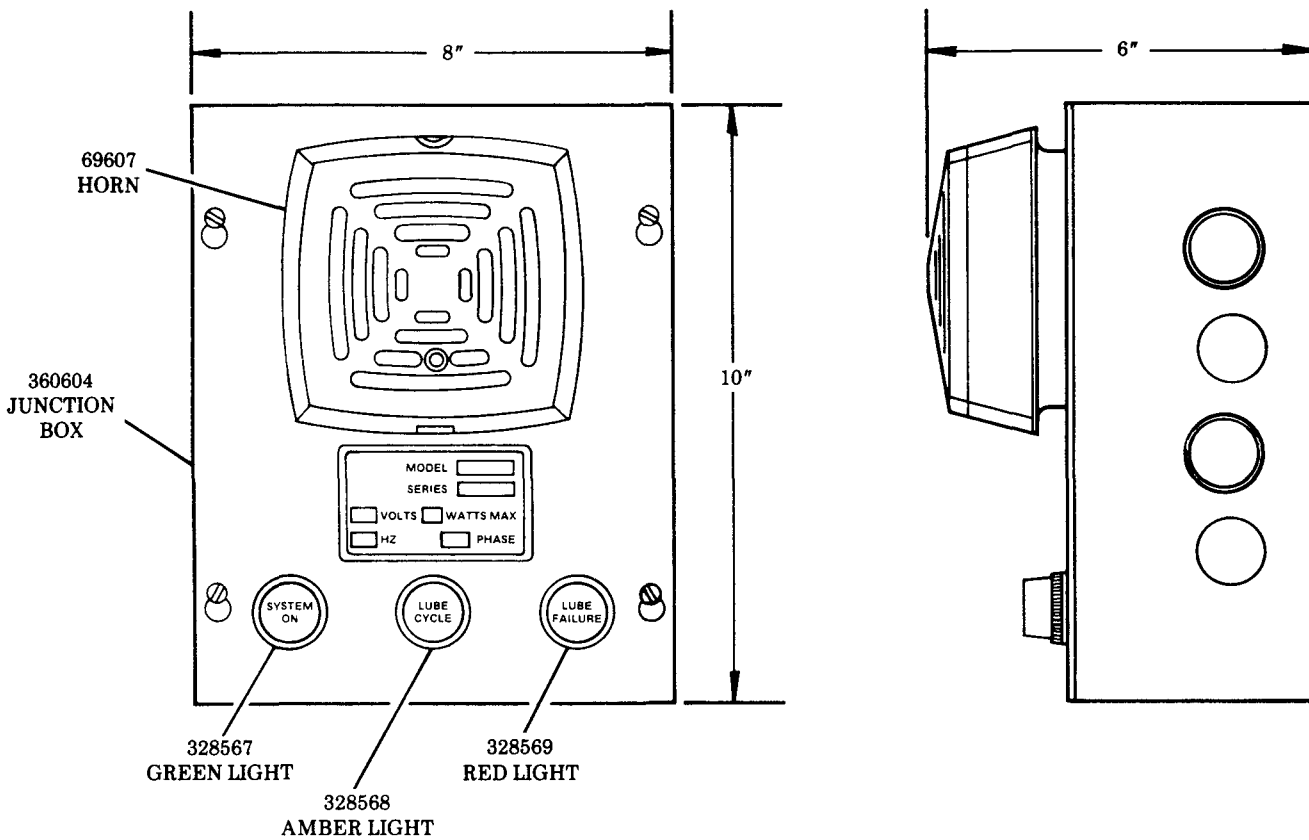


WIRING CONNECTION TO MODEL 84530

- A. Turn power off to Model 84530.
- B. Make all wiring connections to Terminal Strip A.
- C. Connect jumper wire between Terminals 7 and 10 on Terminal Strip A.
- D. Model 84530 must be programmed.
Set "ALARM RELAY ENERGIZED ?" to "NO".

NOTE: Wiring diagram for both Models 83354 and 83546.

MODEL 83546



ELECTRICAL SPECIFICATIONS

The 83546 is designed for use on 220 volts, 50 hertz. Maximum power required is 35 volt-amperes.
UL approved junction box, lamps and horn.

NOTE: Indicator lights use No. 755 (Chicago Miniature or G.E.) miniature lamps.

SERVICE PARTS

Part No.	Description	Part No.	Description
69606	Horn	328567	Pilot Light "Green"
69607	Horn	328568	Pilot Light "Amber"
328564	Pilot Light "Green"	328569	Pilot Light "Red"
328565	Pilot Light "Amber"	360604	Junction Box
328566	Pilot Light "Red"		

RETAIN THIS INFORMATION FOR FUTURE REFERENCE

When ordering replacement parts, list: Part Number, Description, Model Number, and Series Letter.

LINCOLN provides a Distributor Network that stocks equipment and replacement parts.