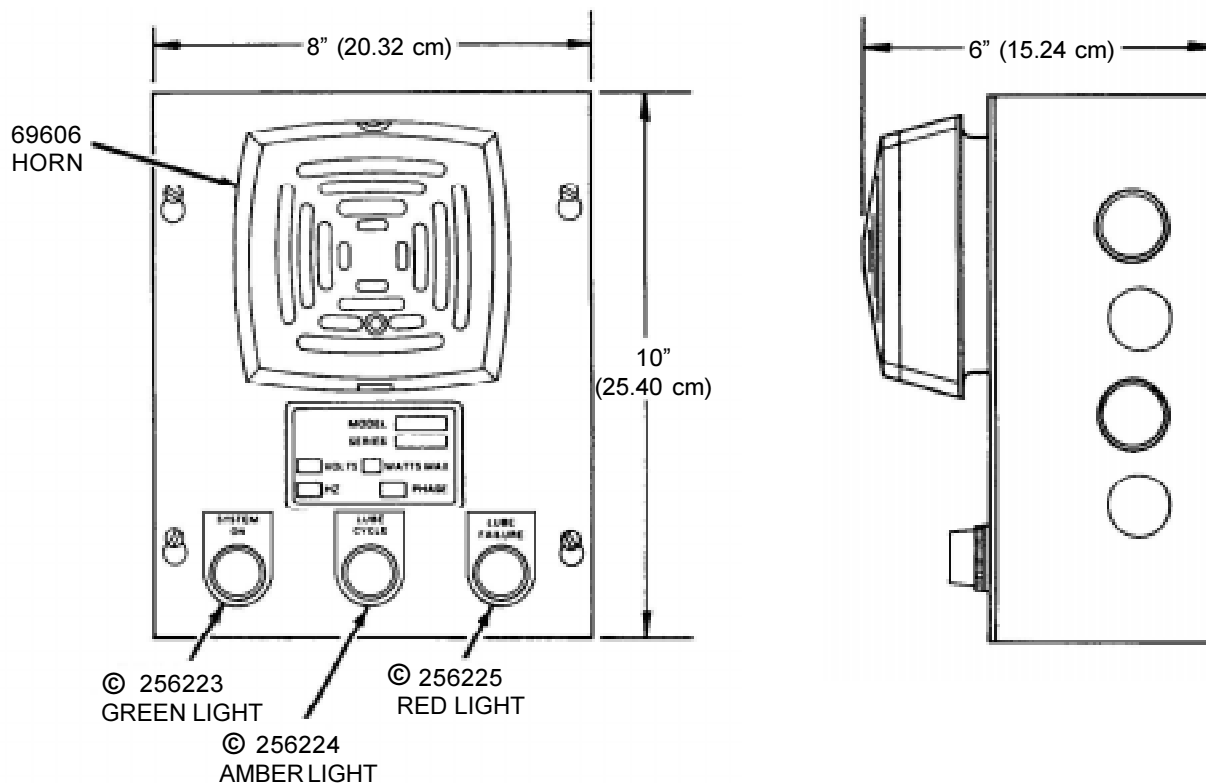


MODEL 83354

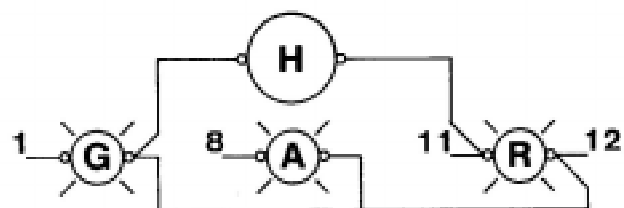


ELECTRICAL SPECIFICATIONS

The 83354 is designed for use on 115 volts, 60 hertz. Maximum power required is 35 volt-amps. UL approved junction box, lamps and horn.
NOTE: Indicator lights use 6v, bayonet base, G3-1/2 bulb.

SERVICE PARTS

Part No.	Description
69606	Horn
256223	Pilot Light "Green"
256224	Pilot Light Amber"
256225	Pilot Light "Red"



WIRING CONNECTION TO MODEL 85530

- A. Turn power off to Model 85530.
- B. Make all wiring connections to Terminal Strip A.
- C. Connect jumper wire between Terminals 7 and 10 on Terminal Strip A.
- D. Model 85530 must be programmed. Set "ALARM RELAY ENERGIZED ?" to "NO".

© Indicates Change

RETAIN THIS INFORMATION FOR FUTURE REFERENCE

When ordering replacement parts, list: Part Number, Description, Model Number and Series Letter. LINCOLN provides a Distributor Network that stocks equipment and replacement parts.