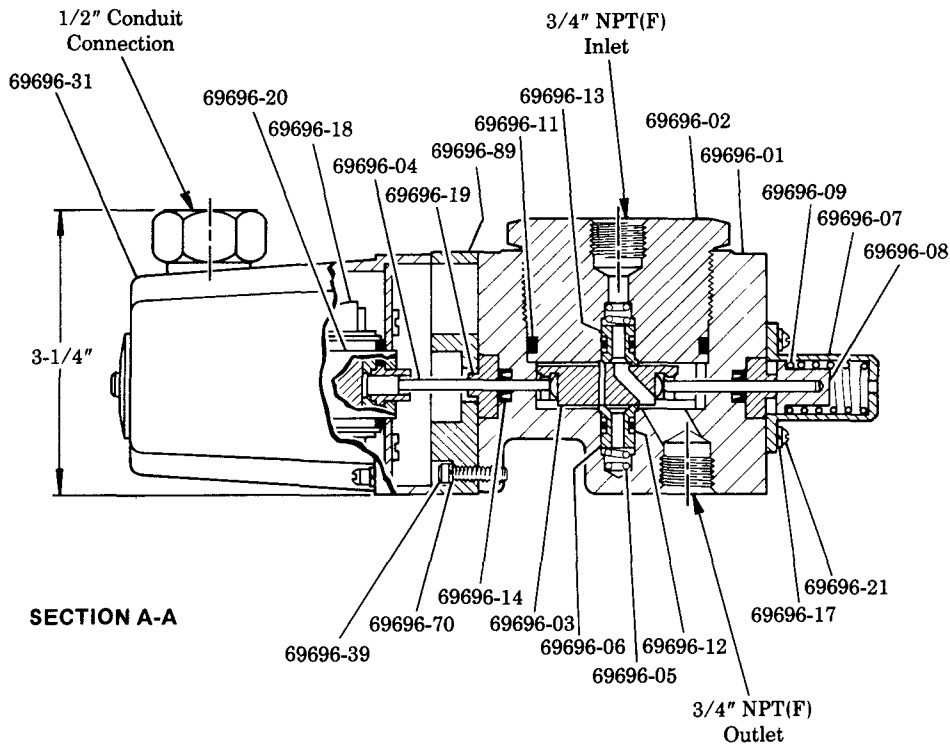


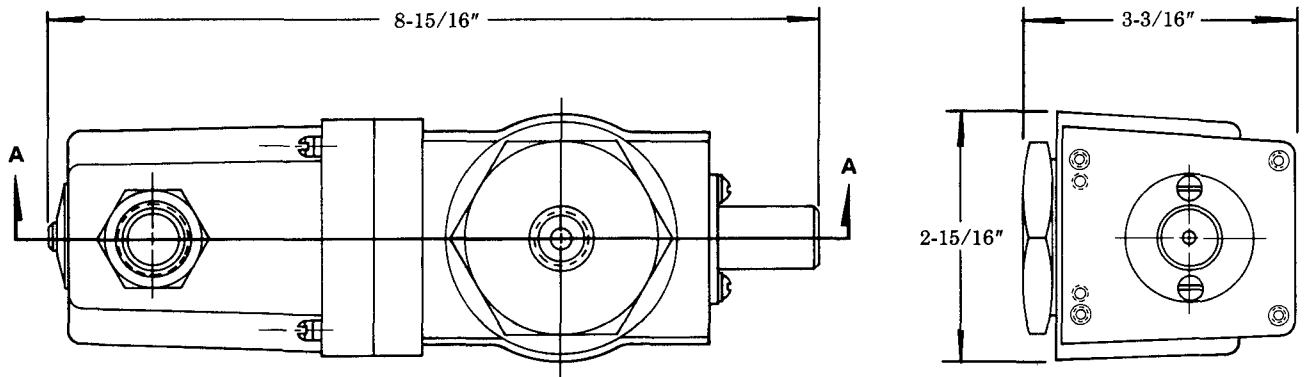
# FLUID SOLENOID VALVE



# Models 69696 69722



**69696  
(NORMALLY OPEN)**



## GENERAL SPECIFICATIONS

VOLTS ..... 115V A.C.  
 HERTZ ..... 60  
 O-RING ..... BUNA-N  
 INRUSH AMPS ..... 4.0 MAX.  
 HOLDING AMPS ..... .61 MAX.  
 OPERATING PRESSURE ..... 4500 PSI

PROOF PRESSURE ..... 6750 PSI  
 TEMPERATURE RANGE ..... -65° F TO +225° F  
 SERVICE ..... LUBRICATING GREASE, OIL,  
 OR HYDRAULIC OIL  
 INLET/OUTLET ..... 3/4" NPT(F)

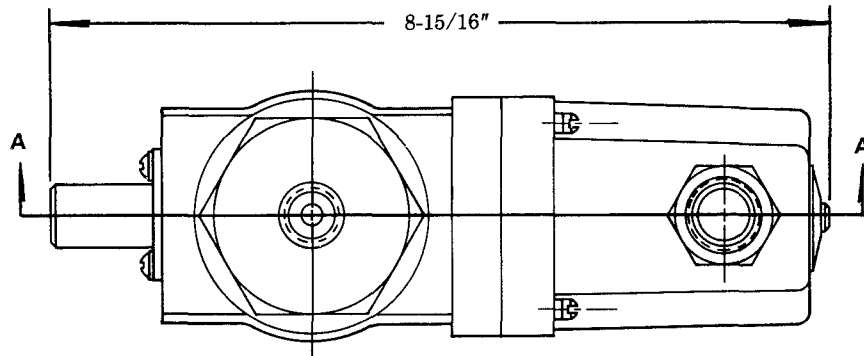
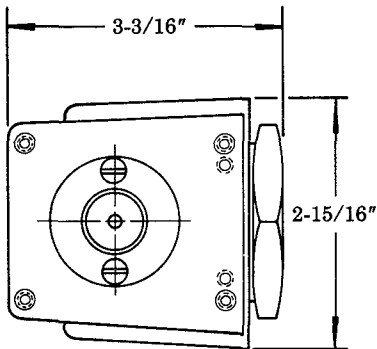
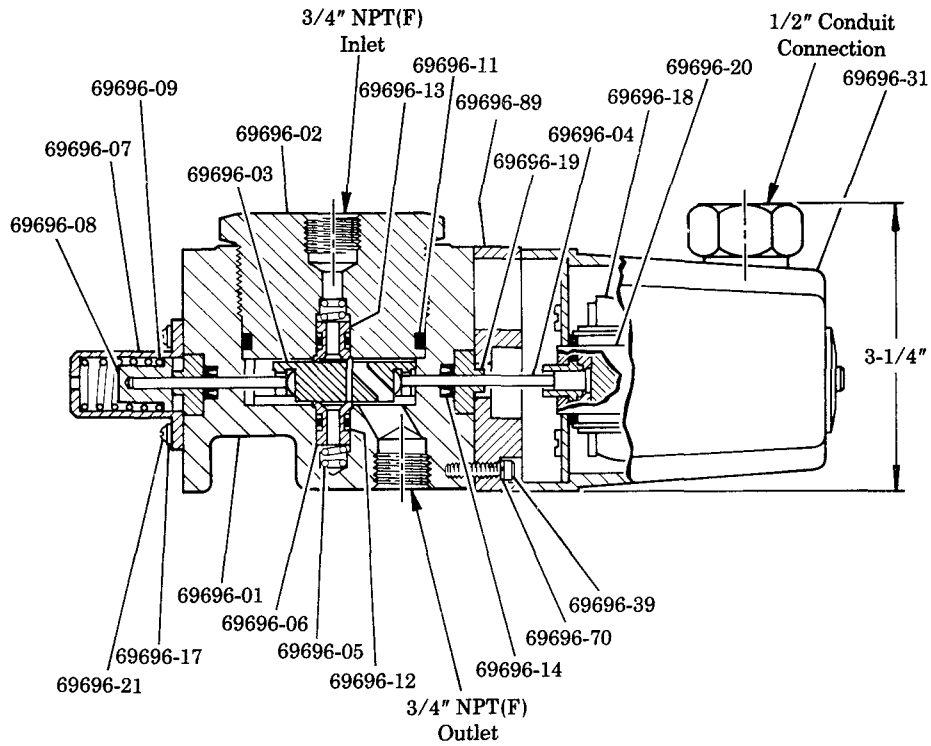
**LINCOLN ST. LOUIS**  
 4010 GOODFELLOW BLVD • ST LOUIS, MO 63120 • (314) 383-5900



SECTION **-C8**  
 PAGE **-166A**

**69722**  
**(NORMALLY CLOSED)**  
**(OBSOLETE)**

SECTION A-A



**SERVICE PARTS**

PART	QUAN.	DESCRIPTION	PART	QUAN.	DESCRIPTION
69696-01	1	Body	69696-13	4	Back-up ring
69696-02	1	Cap	69696-14	2	Rod seal
69696-03	1	Slide	69696-17	2	Lockwasher
69696-04	2	Rod	69696-18	1	Coil
69696-05	2	Spring	69696-19	2	Washer
69696-06	2	Seal	69696-20	1	Solenoid assembly
69696-07	1	Spring housing	69696-21	2	Screw
69696-08	1	Spring cap	69696-31	1	Solenoid end cap assembly
69696-09	1	Spring	69696-39	4	Screw
69696-11	1	O-ring	69696-70	4	Spring lockwasher
69696-12	2	O-ring	69696-89	1	Retainer plate

**RETAIN THIS INFORMATION FOR FUTURE REFERENCE**

When ordering replacement parts, list: Part Number, Description, Model Number, and Series Letter.

LINCOLN ST. LOUIS provides a Distributor Network that stocks equipment and replacement parts.

A list of Authorized Service Departments will be furnished upon request.