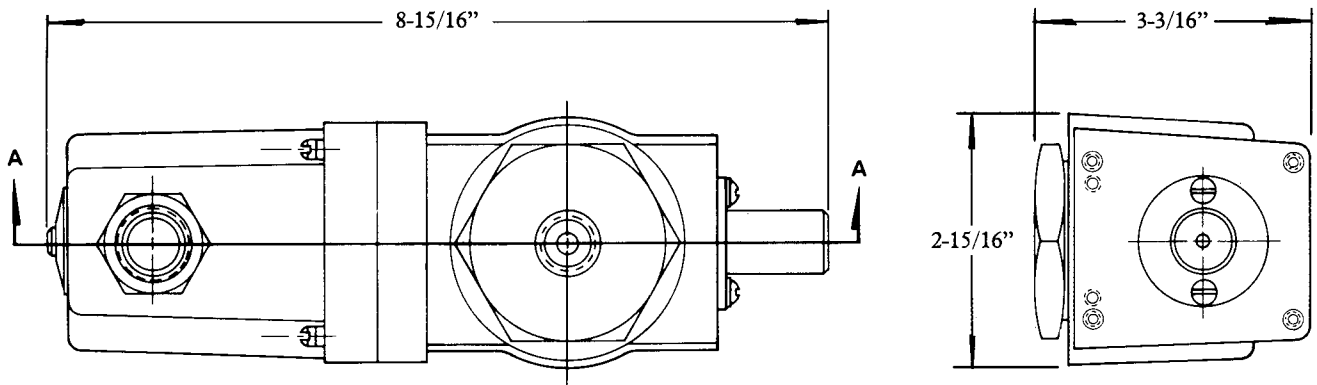
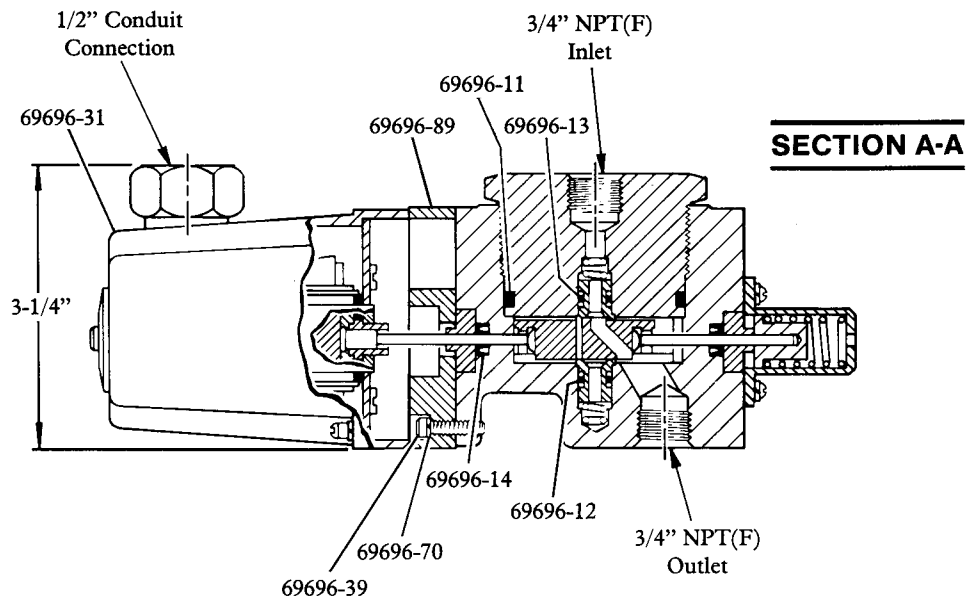


FLUID SOLENOID VALVE

NORMALLY OPEN



Model 69696



GENERAL SPECIFICATIONS

VOLTS 115V A.C.
HERTZ 60
INRUSH AMPS 4.0 MAX.
HOLDING AMPS61 MAX.
O-RING BUNA-N
OPERATING PRESSURE 4500 PSI
PROOF PRESSURE 6750 PSI
TEMPERATURE RANGE -65° F TO +225° F
SERVICE LUBRICATING GREASE, OIL,
OR HYDRAULIC OIL
INLET/OUTLET 3/4" NPT(F)

SERVICE PARTS

PART	QUAN.	DESCRIPTION
†69696-11	1	O-ring
†69696-12	2	O-ring
†69696-13	4	Back-up ring
†69696-14	2	Rod seal
*69696-31	1	Solenoid end cap ass'y.
*69696-39	4	Screw
*69696-70	4	Lockwasher
*69696-89	1	Retainer plate

* Included in 84405 Repair Kit.

† Included in 84406 Seal Repair Kit.

LINCOLN ST. LOUIS
4010 GOODFELLOW BLVD. • ST. LOUIS, MO. 63120 • (314) 679-4200



SECTION - **C8**
PAGE - **166B**