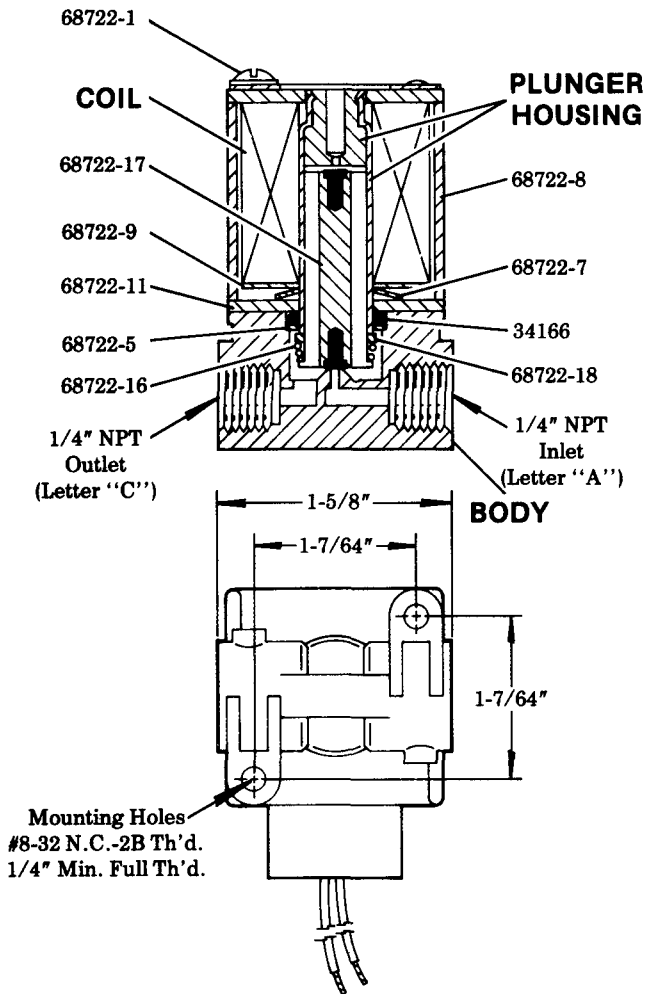
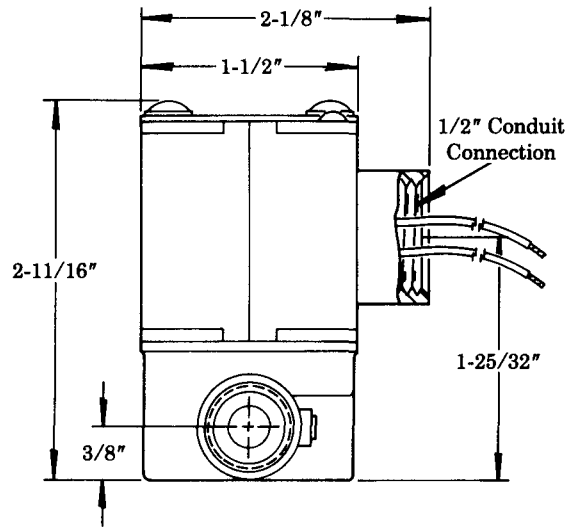
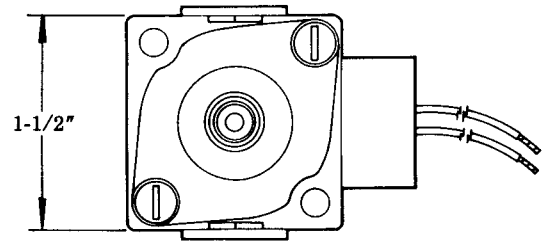


# AIR SOLENOID VALVES THREE WAY



**Models 68722  
68966, 68990  
69038, 69172**

**NORMALLY CLOSED**



**SERVICE PARTS**

PART	QUAN.	DESCRIPTION
34166	1	O-ring
68722-1	2	Screw
68722-5	1	Spacer
68722-7	1	Spring washer
68722-8	1	Conduit assembly
68722-9	1	Insulating washer
68722-11	1	Plate
68722-16	1	Spring
68722-17	1	Plunger
68722-18	1	Teflon washer

MODEL	COIL	VOLTAGE	POWER REQ'D.	BODY	PLUNGER HOUSING	MAX. OPERATING PRESSURE	ORIFICE	CV FACTOR
68722	68722-2	115V., 60 Hz.	9 V.A.	68722-4	68722-15	100 psi	1/16"	.11
68966	68966-1	230V., 50 Hz.	10 V.A.	68722-4	68722-15	100 psi	1/16"	.11
68990	68990-1	230V., 60 Hz.	9 V.A.	68722-4	68722-15	100 psi	1/16"	.11
69038	69038-1	115V., 50 Hz.	10 V.A.	68722-4	68722-15	100 psi	1/16"	.11
69172	68722-2	115V., 60 Hz.	9 V.A.	69172-1	69172-2	80 psi	3/32"	.21

**LINCOLN ST. LOUIS**  
4010 GOODFELLOW BLVD · ST LOUIS, MO 63120 · (314) 383 5900



**SECTION -C8  
PAGE -180**