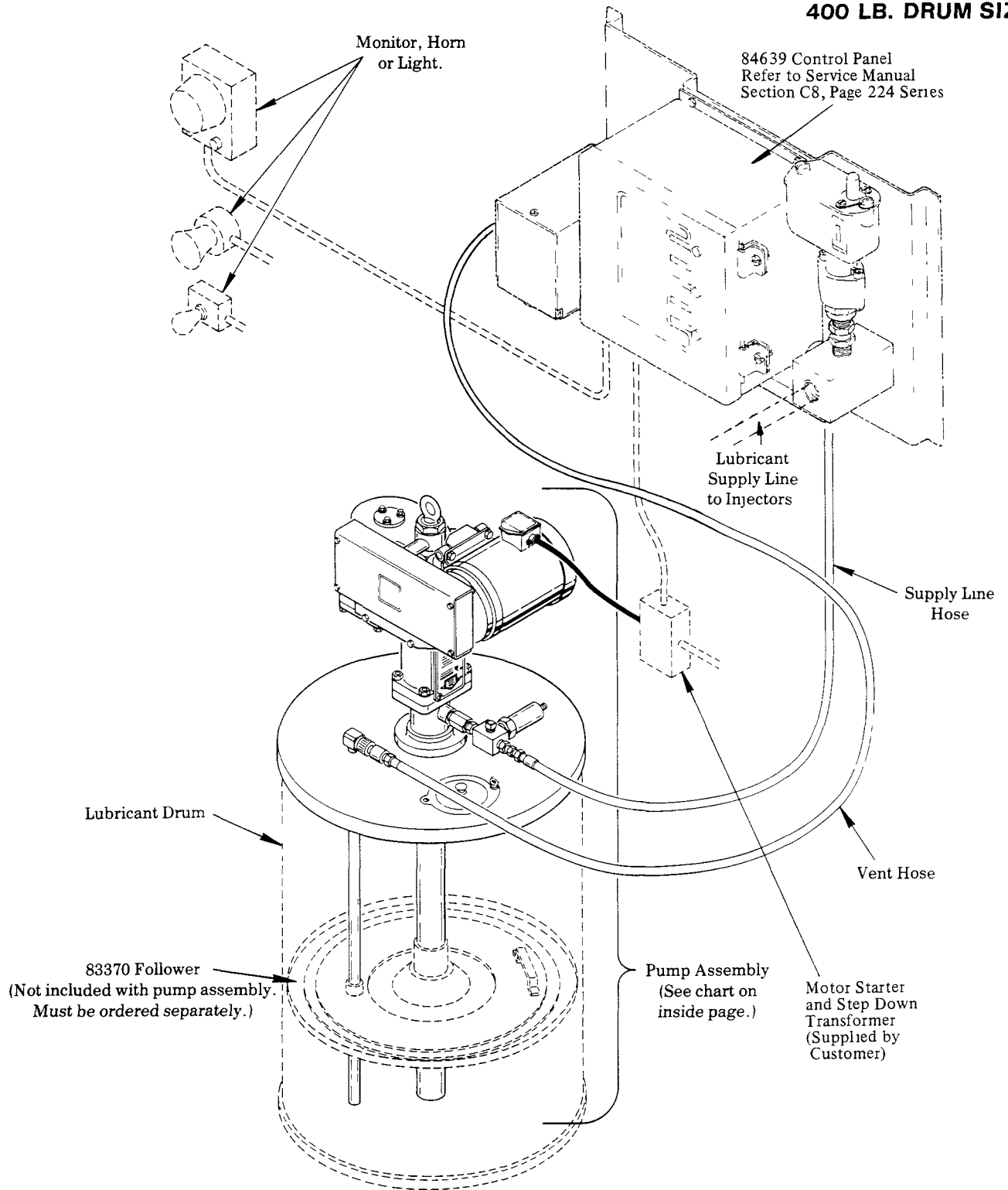
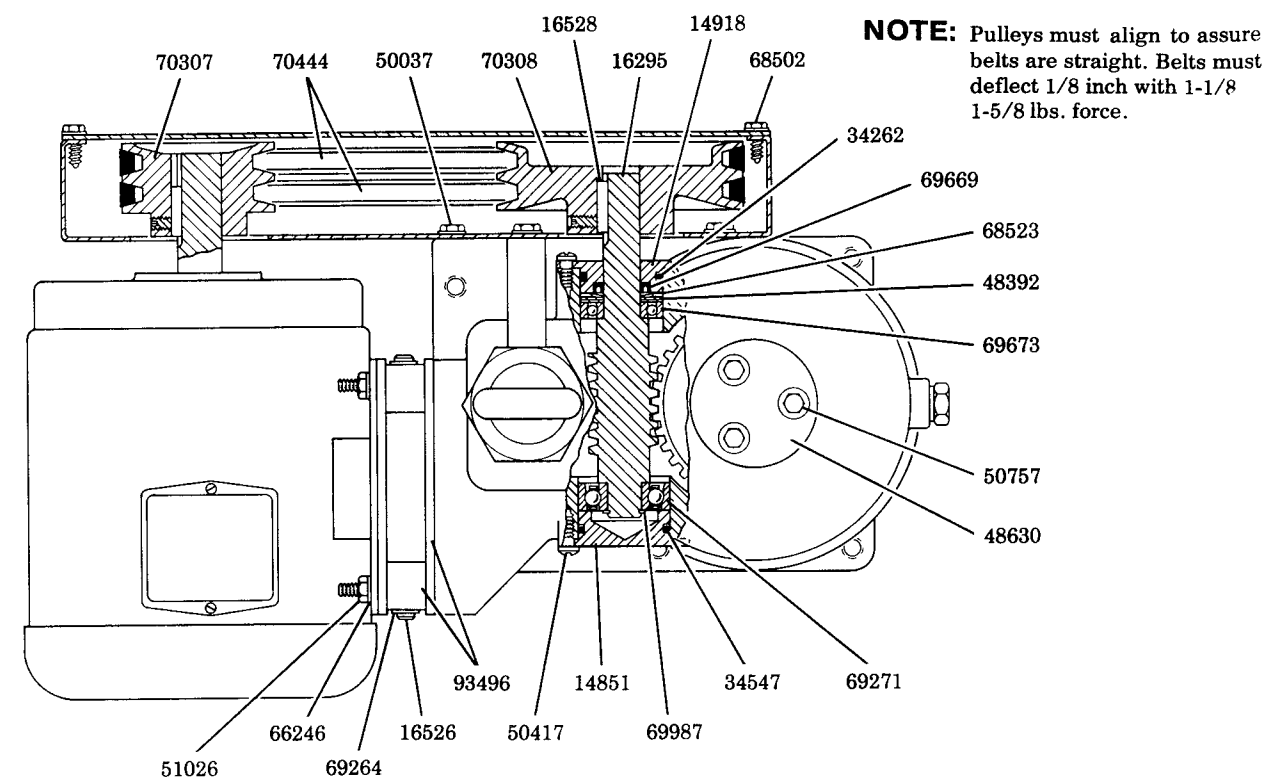
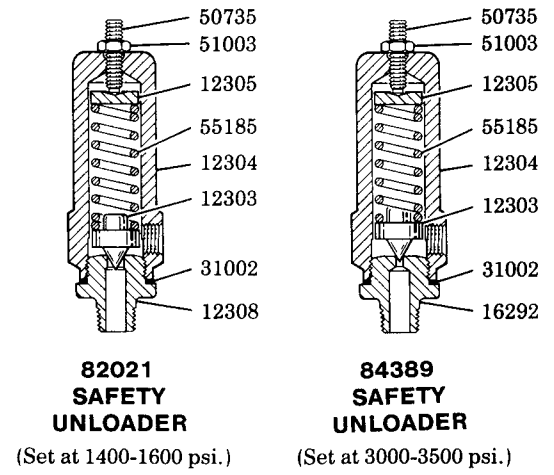
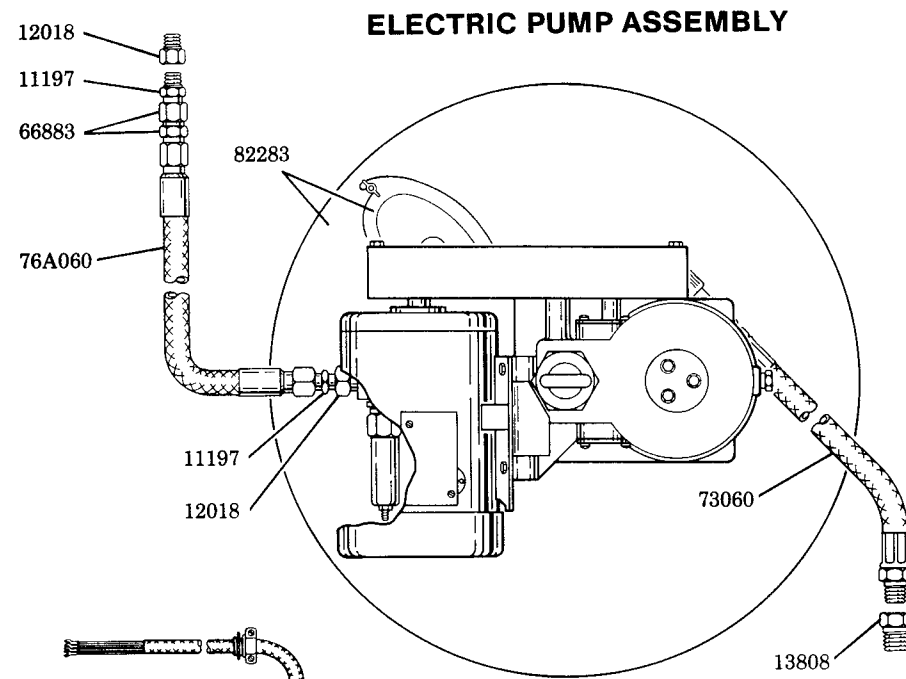




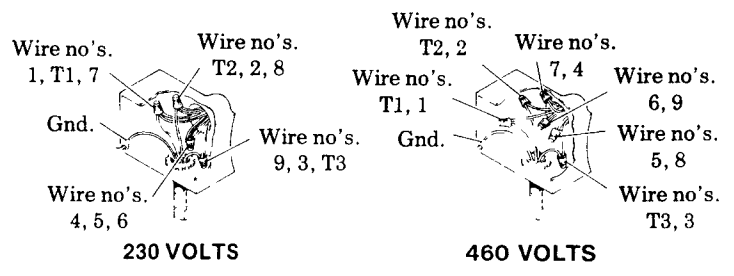
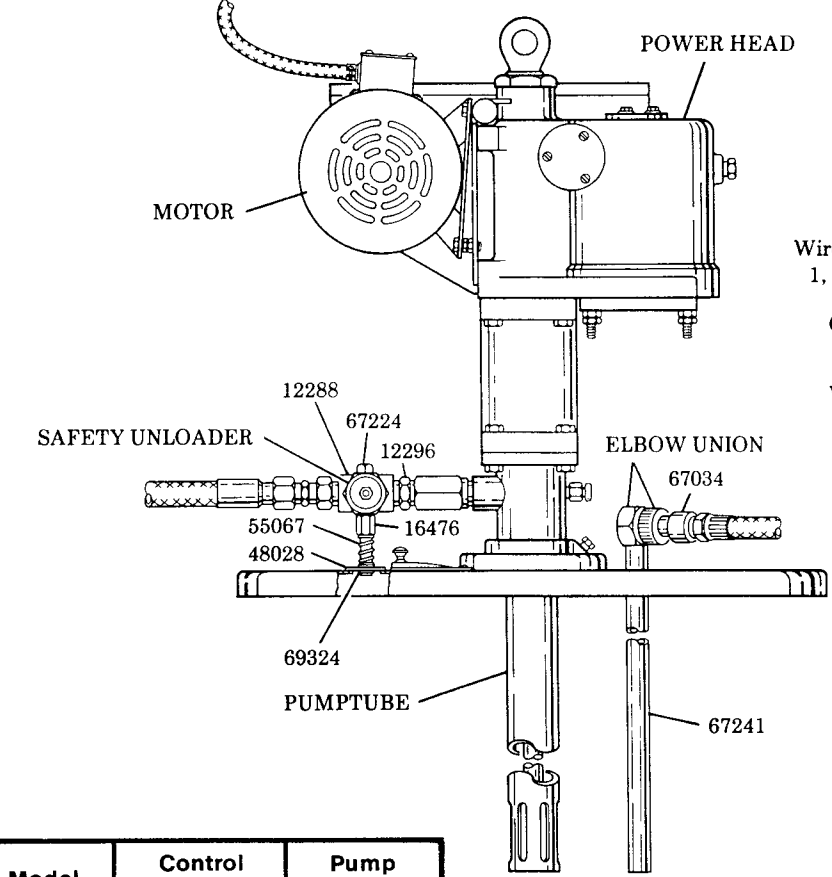
Model Nos. 1813, 1815, 84490, 84491 CENTRO-MATIC® DRUM PUMP Series "B"

**ELECTRIC MOTOR OPERATED
400 LB. DRUM SIZE**

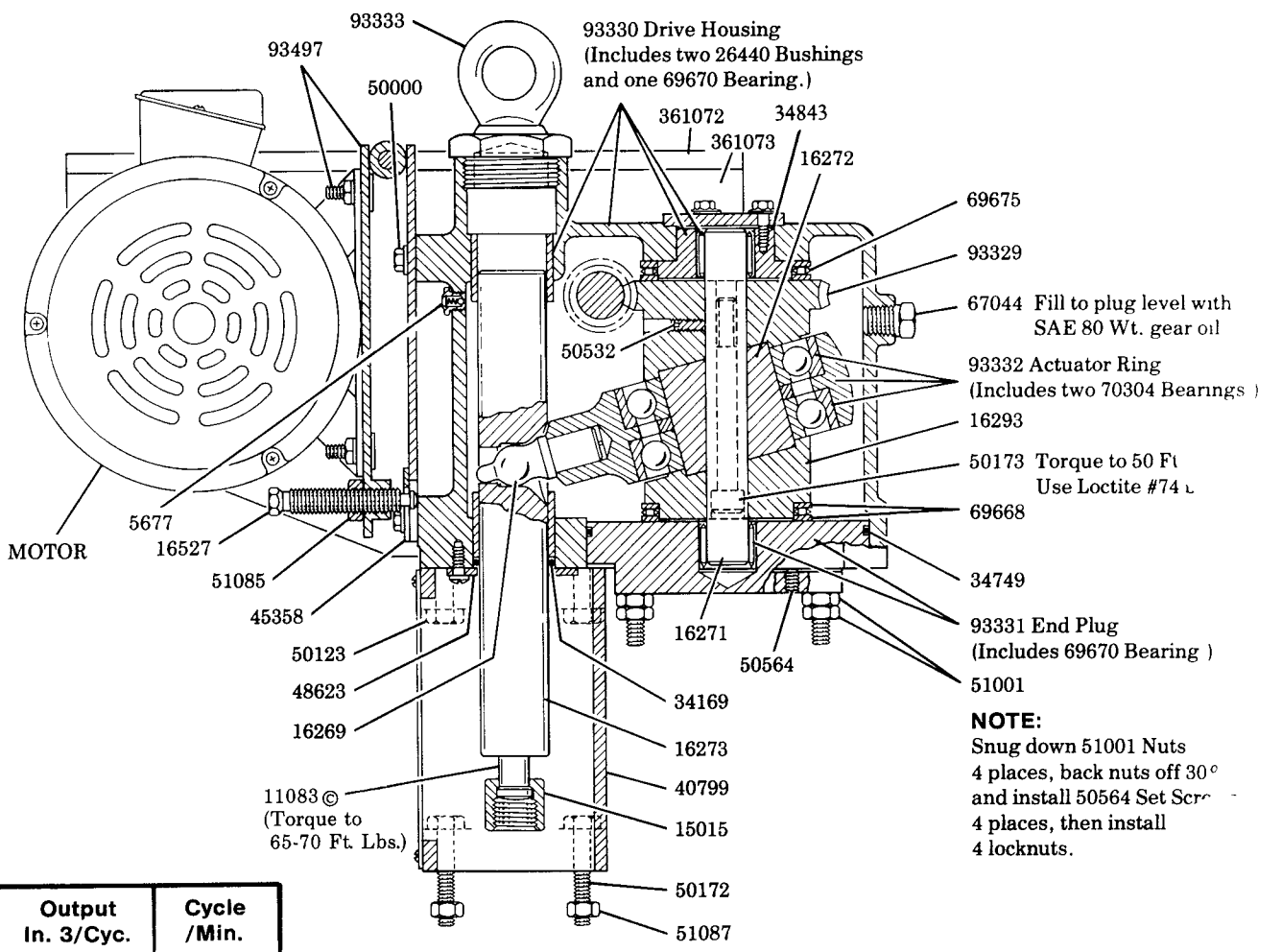




NOTE: Pulleys must align to assure belts are straight. Belts must deflect 1/8 inch with 1-1/8 1-5/8 lbs. force.



MOTOR CONNECTION for 230/460 Volts



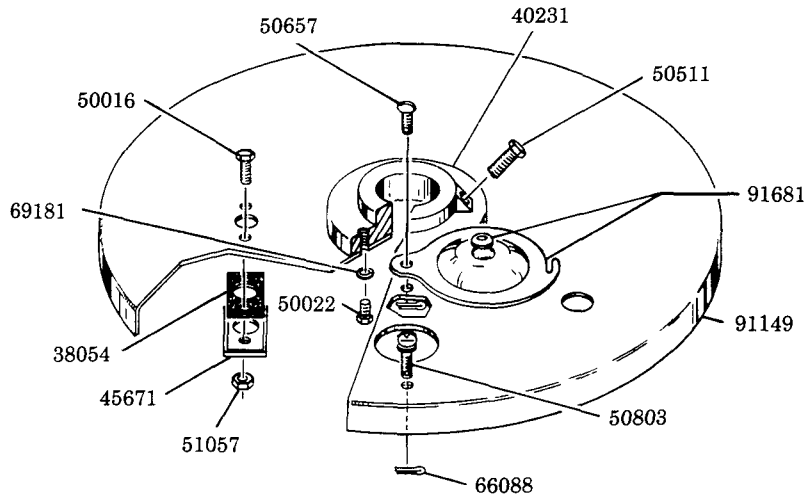
NOTE: Snug down 51001 Nuts 4 places, back nuts off 30° and install 50564 Set Screws 4 places, then install 4 locknuts.

Model	Control Panel	Pump Assembly
1813	84639	84490
1815	84639	84491

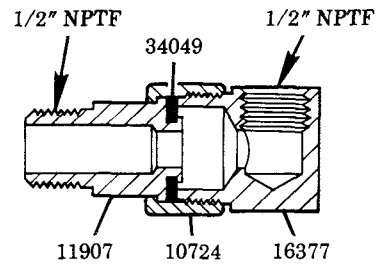
Pump Assembly	Power Head	Motor	Voltage	Pumptube	Pumptube Service Page	Operating Pressure	Safety Unloader	Elbow Union	Output In. 3/Cyc.	Cycle /Min.
84490	84549	69378	230/460V., 60 Hz., 3 Phase	82790	A-50, Pg. 51 Series	850 psi	82021	82322	3.7	52
84491	84549	69378	230/460V., 60 Hz., 3 Phase	82791	A-50, Pg. 50 Series	2500 psi	84389	81753	2.1	52

84549 POWER HEAD
(Does not include motor.)

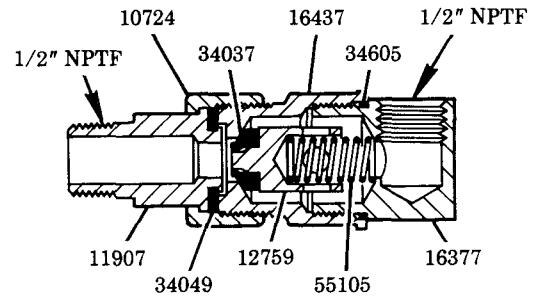
© Indicates Change



82283 DRUM COVER



81753 ELBOW UNION



82322 ELBOW UNION

SERVICE PARTS

Part	Qty.	Description	Part	Qty.	Description	Part	Qty.	Description
5677	1	Relief fitting	34605	1	O-ring	66246	8	Lockwasher
10724	1	Elbow union nut	34749	1	O-ring	66883	1	Union adapter
11083	1	Coupling stud	34843	1	O-ring	67034	1	Coupling
11197	2	Nipple	38054	1	Vent pipe packing	67044	1	Pipe plug
11907	1	Check union nipple	40231	1	Flange	67224	1	Pipe plug
12018	2	Bushing	40799	1	Support casting	67241	1	Vent pipe
12288	1	Adapter block	45358	1	Retainer strap	68502	4	Screw
12296	1	Nipple	45671	1	Packing housing	68523	1	Wave washer
12303	1	Unloader check	48028	1	Washer	69181	4	Lockwasher
12304	1	Unloader body	48392	3	Washer	69264	2	Retaining ring
12305	1	Slug	48623	1	Oil seal	69271	1	Bearing
12308	1	Unloader seat	48630	1	End cap	69324	1	Retaining ring
12759	1	Check body	50000	4	Screw	69668	4	Thrust race
13808	1	Adapter	50016	2	Screw	69669	1	Oil seal
14851	1	Retainer	50022	4	Screw	69670	2	Needle bearing
14918	1	Oil seal retainer	50037	3	Screw	69673	1	Ball bearing
15015	1	Coupling nut	50123	4	Screw	69675	2	Needle thrust bearing
16269	1	Ball pin	50172	4	Screw	69987	1	Retaining ring
16271	1	Shaft	50173	2	Screw	70304	2	Angular contact bearing
16272	1	Shaft	50417	9	Screw	70307	1	Sheave
16273	1	Actuator rod	50511	2	Screw	70308	1	Sheave
16292	1	Unloader seat	50532	1	Set screw	70444	1	Vee belts (set of 2)
16293	1	Wobble plate	50564	4	Set screw	73060	1	Vent hose
16295	1	Cylindrical worm & shaft	50657	1	Bolt	76A060	1	Delivery hose
16377	1	Check housing	50735	1	Set screw	82283	1	Drum cover assembly
16437	1	Outlet connector	50757	3	Bolt	91149	1	Drum cover
16476	1	Vent adapter	50803	1	Thumb screw	91681	1	Cover plate
16526	1	Guide pin	51001	8	Nut	93329	1	Worm gear & wobble plate
16527	1	Adjusting screw	51003	1	Nut	93330	1	Drive housing
16528	1	Square key	51026	4	Nut	93331	1	End plug & bearing
26440	2	Bushing	51057	2	Housing nut	93332	1	Actuator ring & bearing
31002	1	Gasket	51085	1	Nut	93333	1	Pad eye & cover nut
34037	1	Packing	51087	4	Lock nut	93496	1	Motor mount weldment
34049	1	Elbow union gasket	55067	1	Spring	93497	1	Motor mount weldment
34169	1	O-ring	55105	1	Spring	361072	1	Pulley guard
34262	1	O-ring	55185	1	Spring	361073	1	Pulley guard bracket
34547	1	O-ring	66088	2	Cotter pin			

RETAIN THIS INFORMATION FOR FUTURE REFERENCE

When ordering replacement parts, list: Part Number, Description, Model Number, and Series Letter.

LINCOLN provides a Distributor Network that stocks equipment and replacement parts.