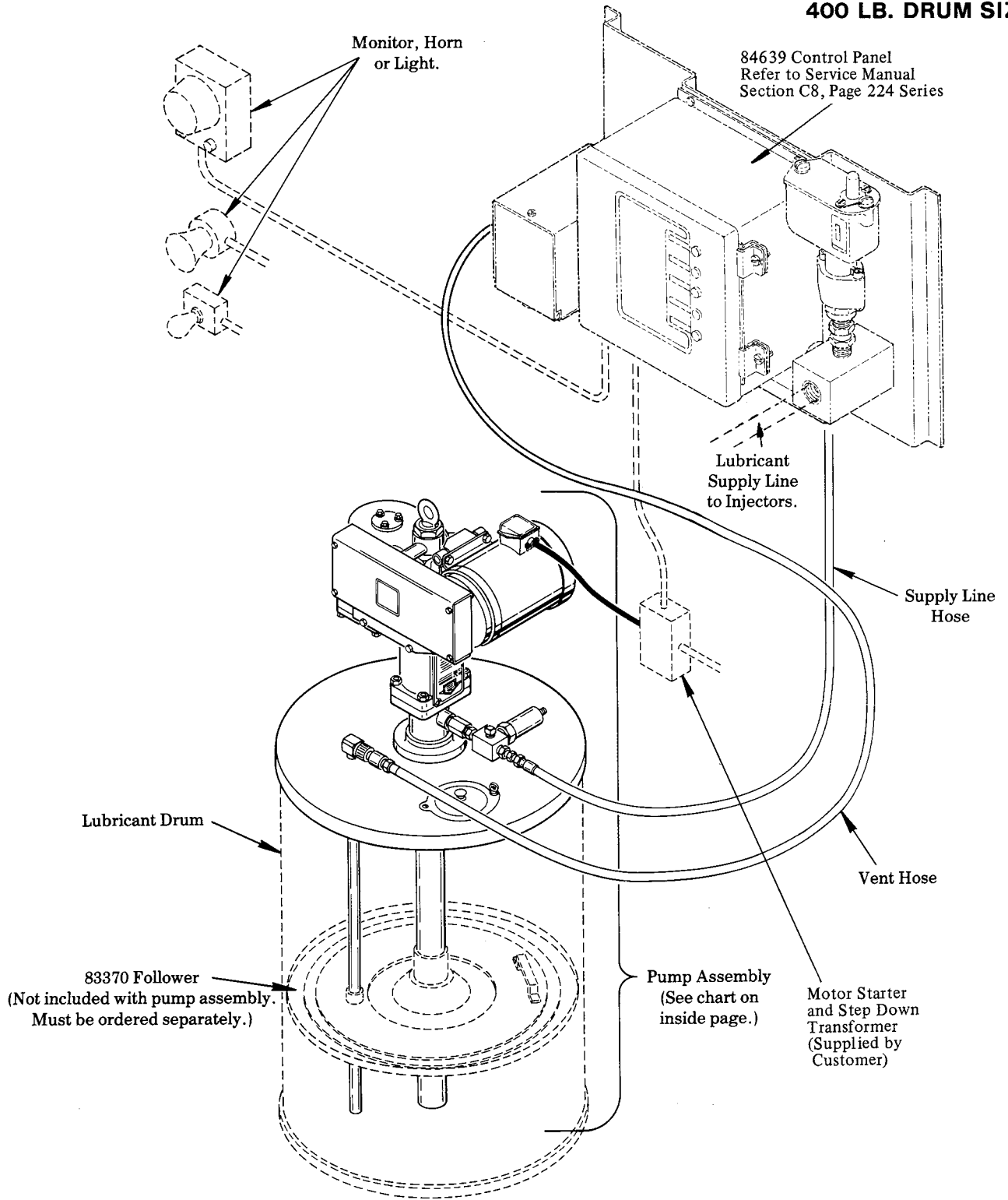
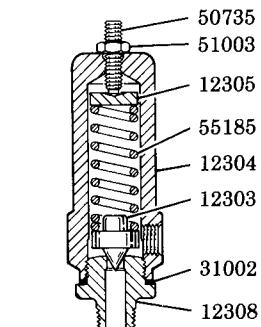
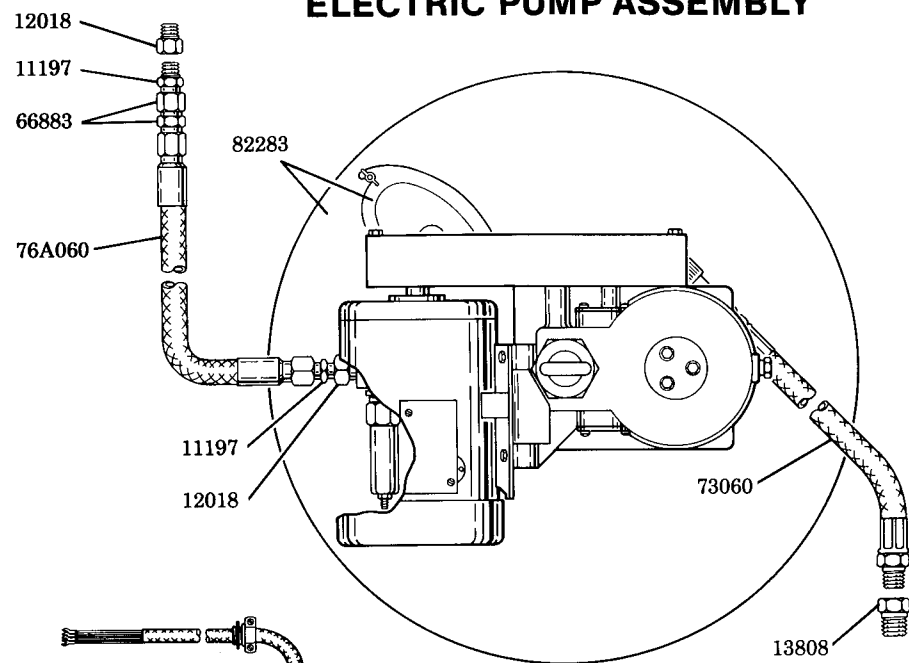


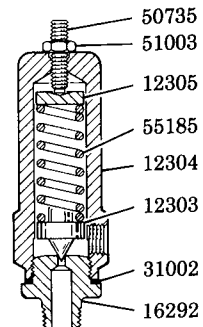
**ELECTRIC MOTOR OPERATED
400 LB. DRUM SIZE**



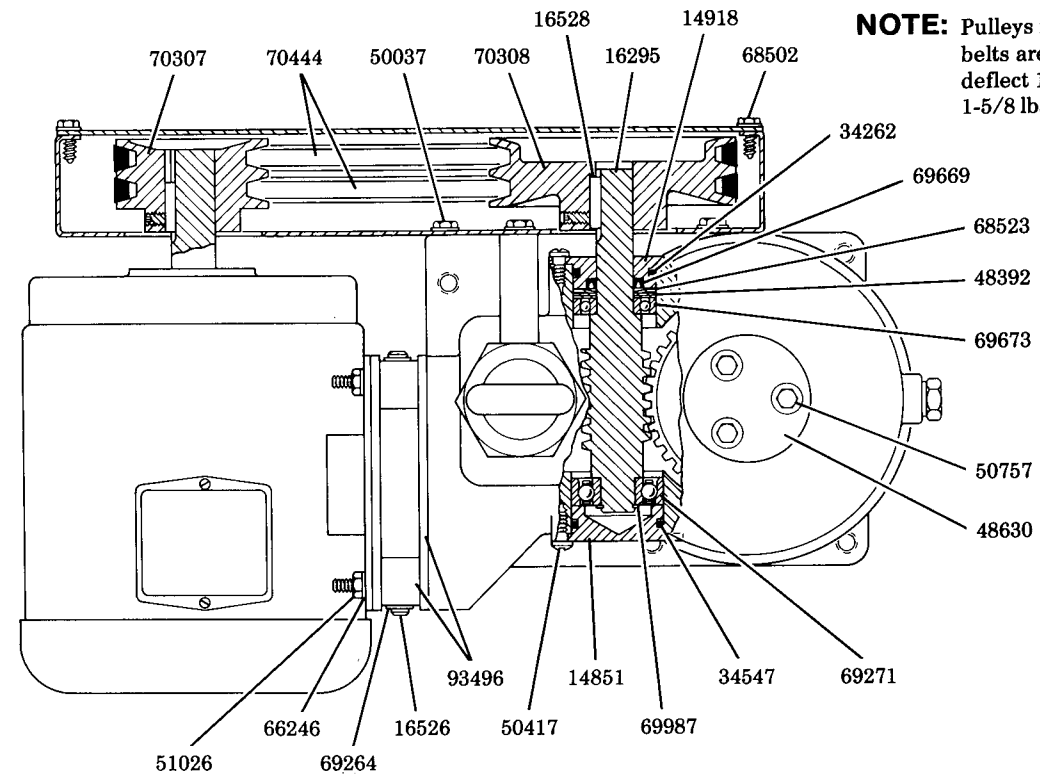
ELECTRIC PUMP ASSEMBLY



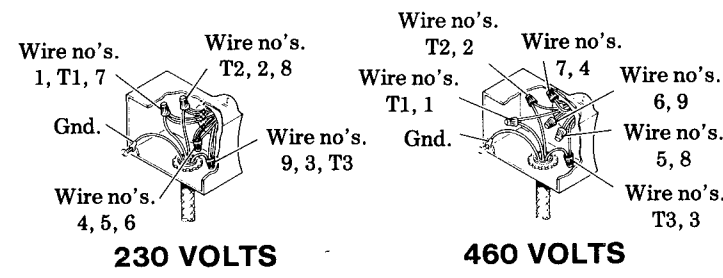
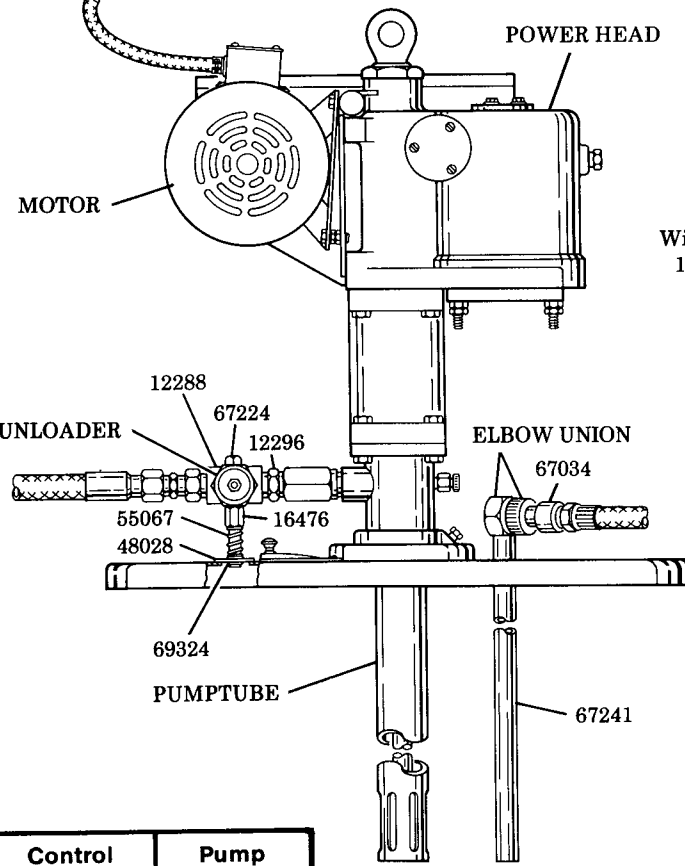
82021 SAFETY UNLOADER
(Set at 1400-1600 psi.)



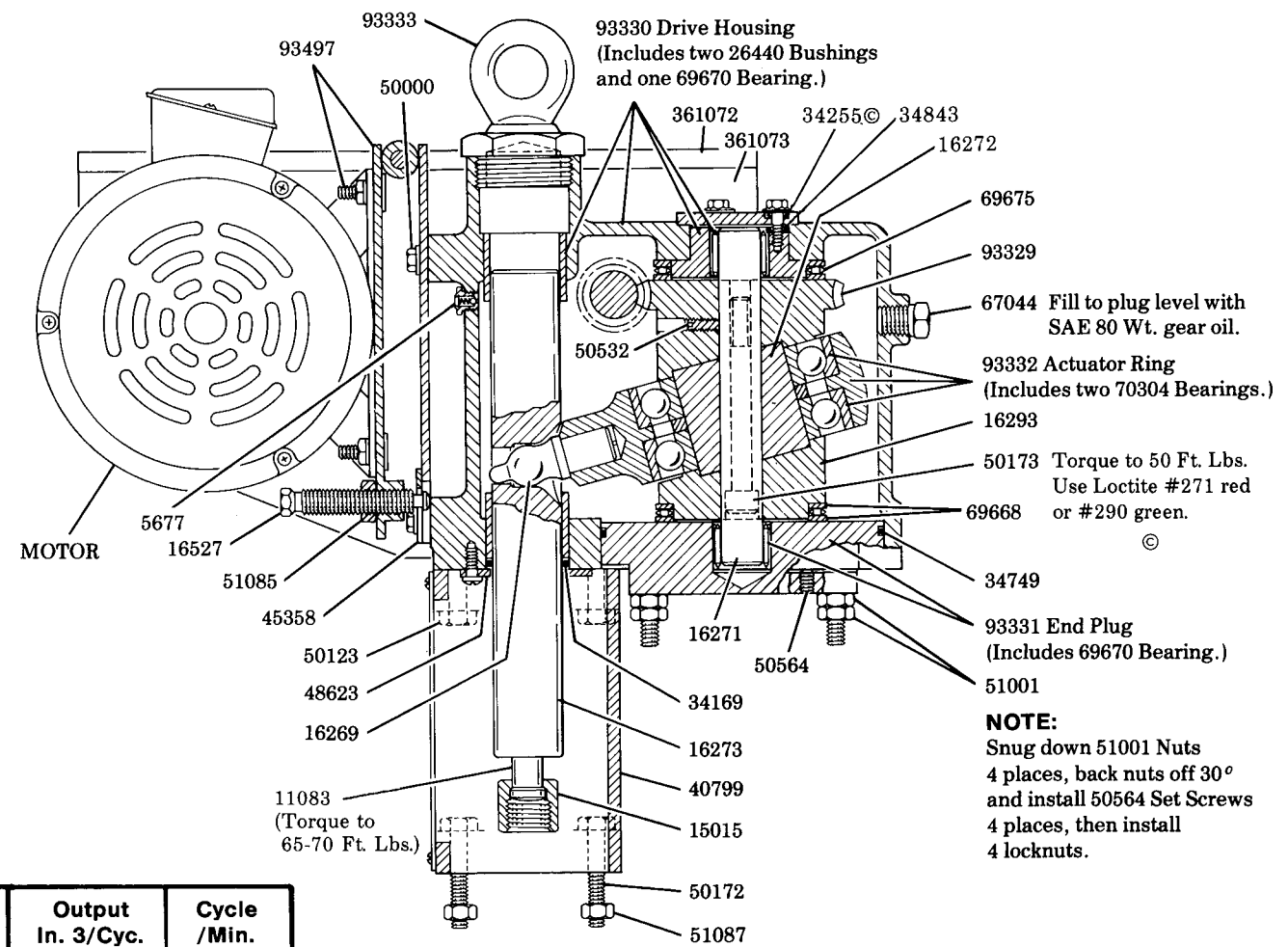
84389 SAFETY UNLOADER
(Set at 3000-3500 psi.)



NOTE: Pulleys must align to assure belts are straight. Belts must deflect 1/8 inch with 1-1/8 to 1-5/8 lbs. force.



230 VOLTS **460 VOLTS**
MOTOR CONNECTION
for 230/460 Volts



NOTE: Snug down 51001 Nuts 4 places, back nuts off 30° and install 50564 Set Screws 4 places, then install 4 locknuts.

Model	Control Panel	Pump Assembly
1813	84639	84490
1815	84639	84491

Pump Assembly	Power Head	Motor	Voltage	Pumptube	Pumptube Service Page	Operating Pressure	Safety Unloader	Elbow Union	Output In. 3/Cyc.	Cycle /Min.
84490	84549	69378	230/460V., 60 Hz., 3 Phase	82790	A-50, Pg. 51 Series	850 psi	82021	82322	3.7	52
84491	84549	69378	230/460V., 60 Hz., 3 Phase	82791	A-50, Pg. 50 Series	2500 psi	84389	81753	2.1	52

84549 POWER HEAD
(Does not include motor.)

© Indicates Change