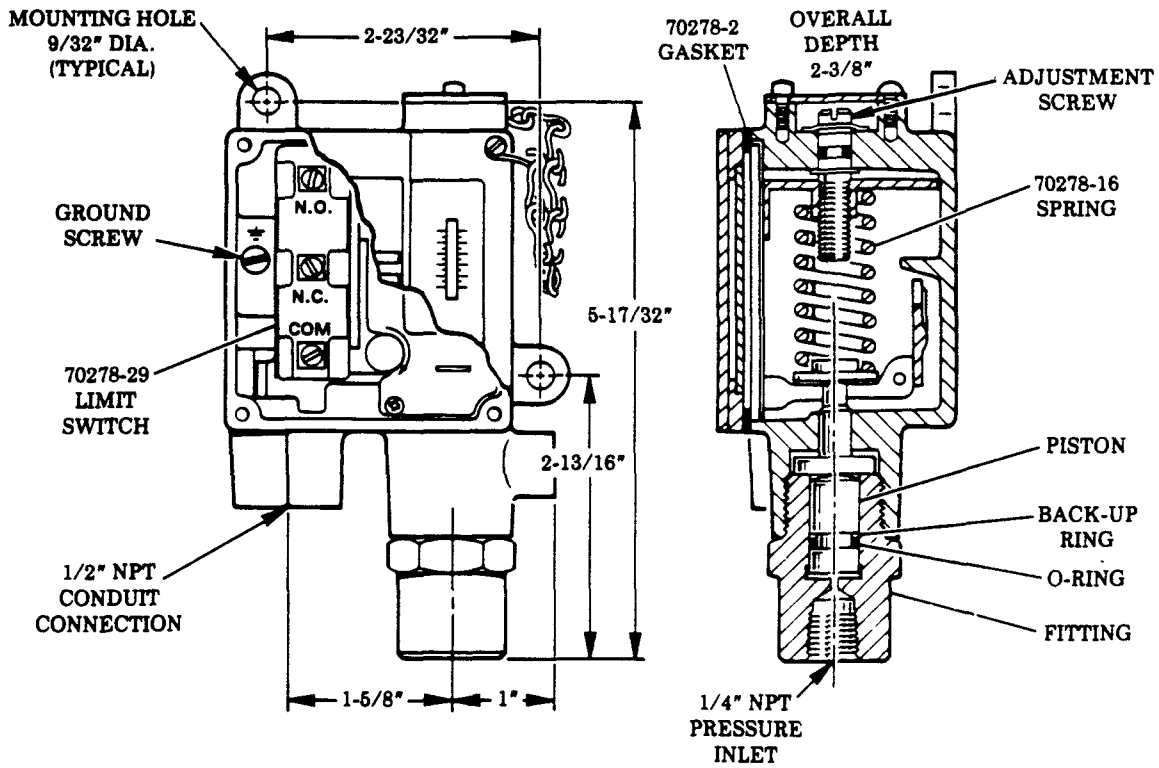


# PRESSURE SWITCH

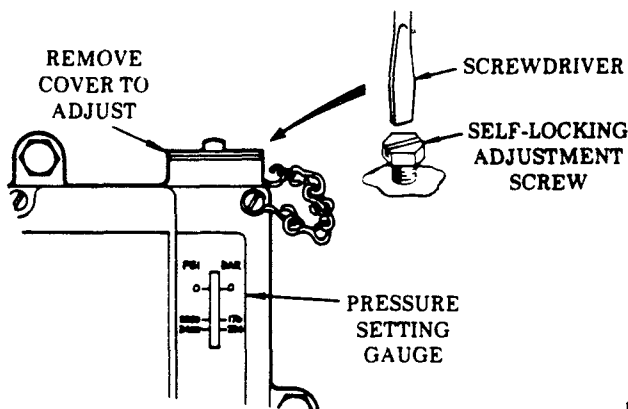
## Models 70278 70300, 70419



### TO ADJUST ACTUATING PRESSURE:

To lower the actuation pressure turn the self-locking adjustment screw clockwise. To raise the actuation pressure turn the adjustment screw counter-clockwise.

**NOTE:**  
Pressure switch is provided with a scale indicating pressure in "Bars" as well as lbs. per sq. in. "Bar" is the metric unit of measure for pressure.



### FOR CENTRO-MATIC SYSTEMS

The 70278 Pressure Switch is factory set at 2500 psi for normal high pressure grease systems. For low pressure oil systems, 70278 Pressure Switch **MUST** be reset for 850 psi.

MODEL	Piston	Back-up Ring	O-ring	Fitting
70278	70278-20	70278-21	70278-22	70278-23
70300	70300-2	70300-3	70300-4	70300-5
70419	70419-2	70419-3	70419-4	70419-5

	ELECTRICAL RATING		MAX. CONTINUOUS CURRENT AMPS	
	VOLTS	AMPS	VOLTS	AMPS
A.C. @ 50% POWER FACTOR	125V	10.0	125V	10.0
	250V	10.0	250V	10.0
	480V	10.0	480V	10.0
	600V	2.0	600V	2.0
D.C. L/R = .026	6V	15.0	6V	15.0
	12V	10.0	12V	10.0
	24V	5.0	24V	5.0
	125V	0.05	125V	0.05
	250V	0.03	250V	0.03

Adjustable Range	Model 70278		Model 70300		Model 70419	
	MIN.	MAX.	MIN.	MAX.	MIN.	MAX.
DECREASING	235 psi	3200 psi	100 psi	1400 psi	425 psi	5640 psi
INCREASING	295 psi	3400 psi	130 psi	1500 psi	545 psi	6000 psi



LINCOLN, One Lincoln Way  
St. Louis, Missouri 63120-1578  
(314) 679-4200 Customer Service, (314) 679-4300

SECTION - C8  
PAGE - 189A