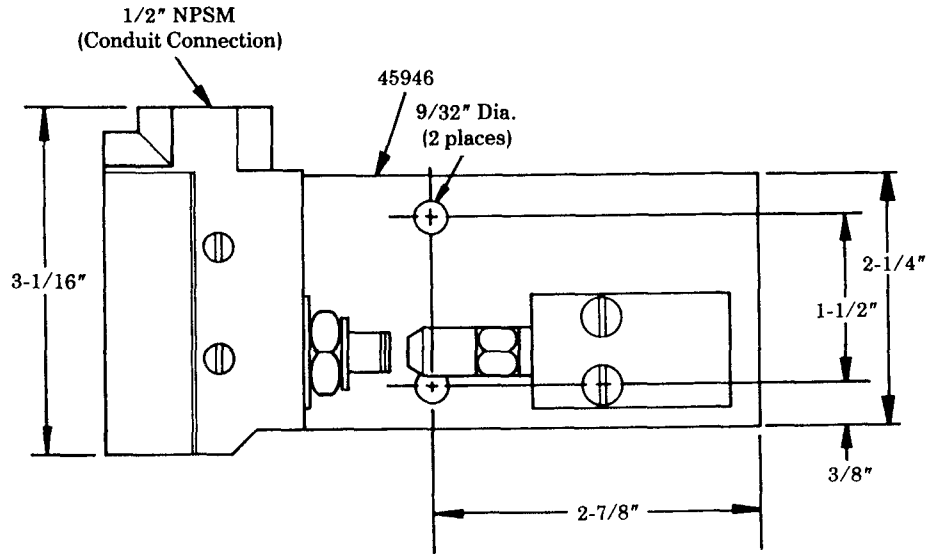
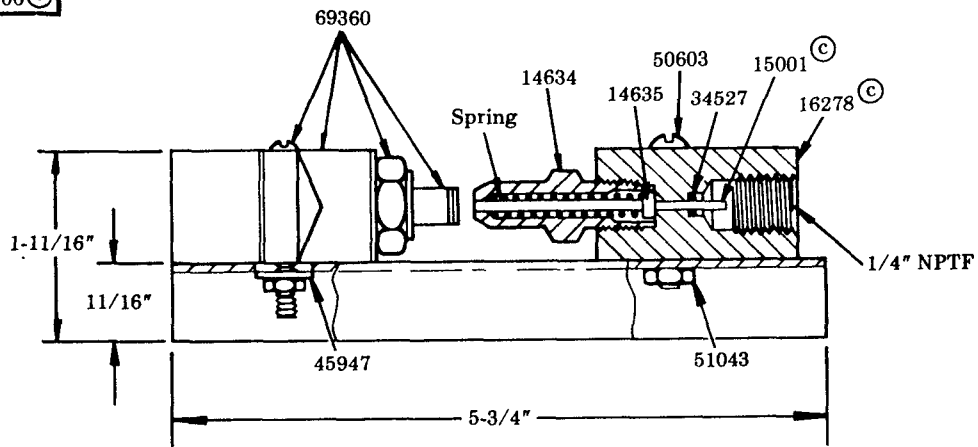


# END OF LINE FAILURE ALARM

# Models 83898 83899



MODEL	SPRING
83898	55356
83899	55406 ©



## DESCRIPTION AND SPECIFICATIONS

These are pressure operated devices which can be adjusted above or below the normal operating pressures of injector systems. Each build up of fluid pressure moves a spring loaded pin which contacts the micro-switch plunger operating a light or a horn. Failure to do so indicates lack of lubricant in the pump reservoir, pump malfunction or a break in the supply line.

Model 83898 (high pressure) has an operating range of 1,200 psi to 2,500 psi (factory set at 2,500 psi).

Model 83899 (low pressure) has an operating range of 700 psi to 1,150 psi (factory set at 800 psi).

Positioning of the micro-switch plunger with respect to the spring loaded pin determines the operating pressure.

Micro-switch can be used normally open or normally closed.

Switch rated: 15 Amps - 125, 250 or 480 VAC  
1/2 Amp - 125 VDC  
1/4 Amp - 250 VDC

## SERVICE PARTS

PART	QUAN.	DESCRIPTION
14634	1	Indicator housing
14635	1	Actuator pin
15001	1	Pin
16278	1	Indicator body
34527	1	O-ring
45946	1	Bracket
45947	1	Plate
50603	2	Screw
51043	2	Nut
69360	1	Micro-switch

© Indicates change

**LINCOLN**  
A PENTAIR COMPANY

One Lincoln Way  
St Louis, Missouri 63120-1578  
(314) 679-4200

SECTION - C8  
PAGE - 191A