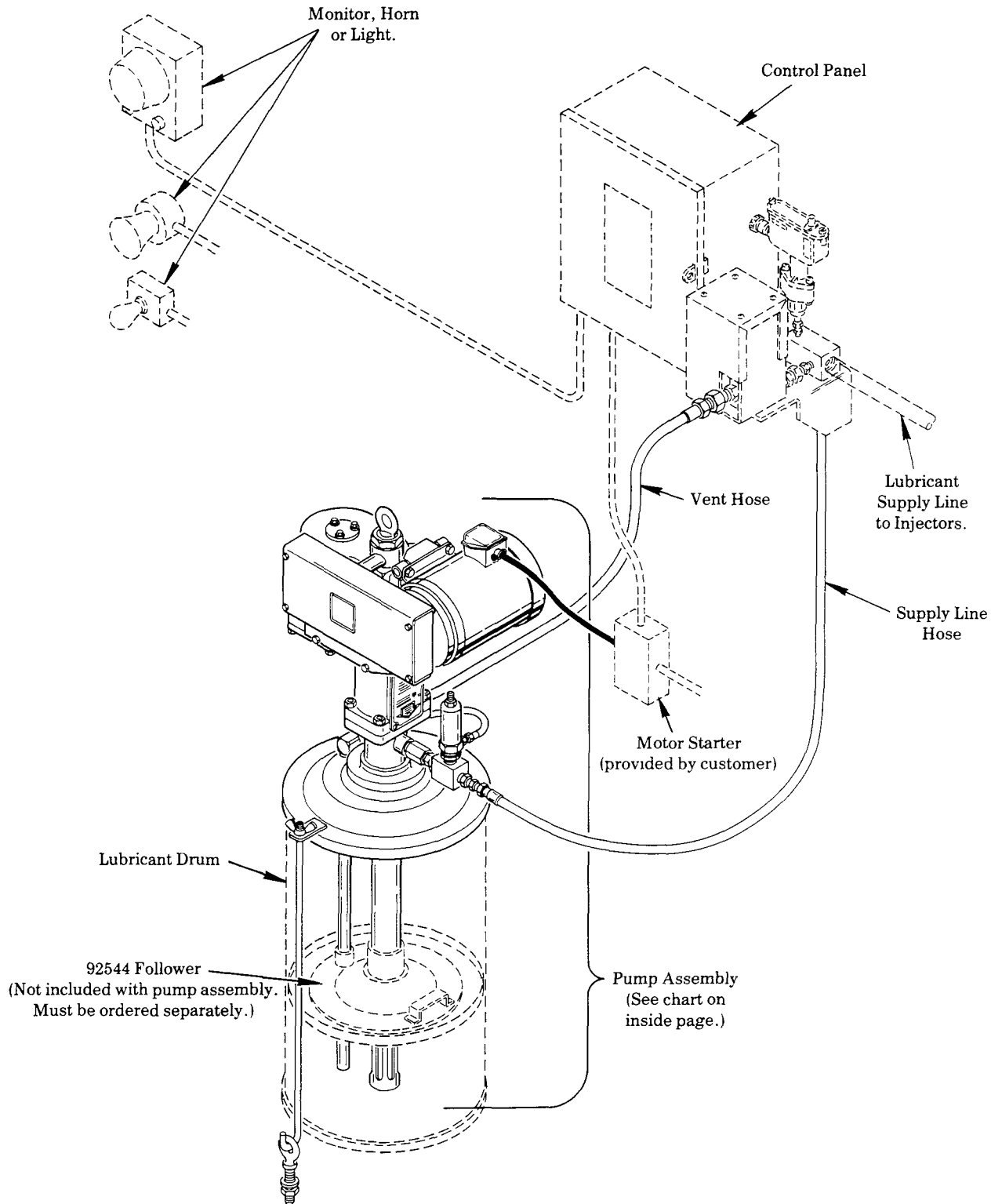


ELECTRIC MOTOR OPERATED
120 LB. DRUM SIZE
HIGH PRESSURE - 2500 PSI SYSTEM

CENTRO-MATIC DRUM PUMP

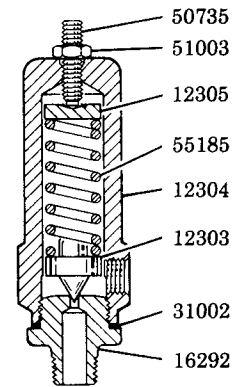
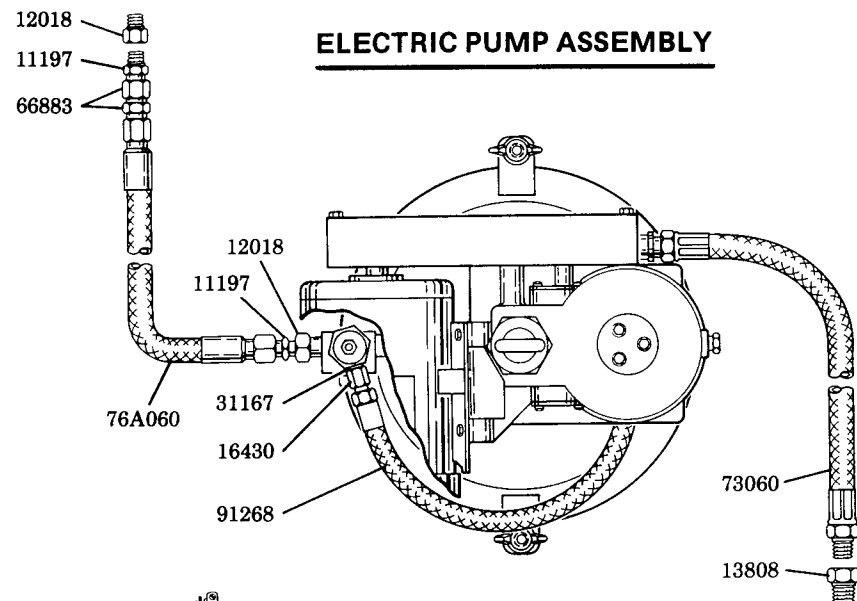
84542



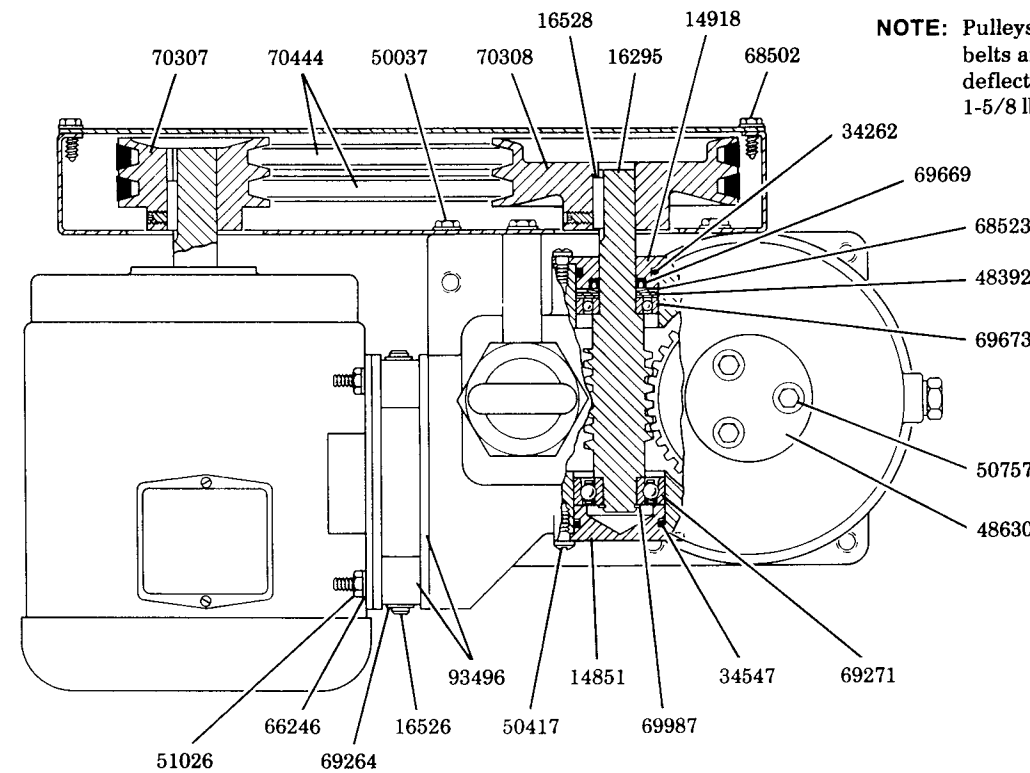
LINCOLN
A PENTAIR COMPANY

One Lincoln Way
St. Louis, Missouri 63120-1578
(314) 679-4200

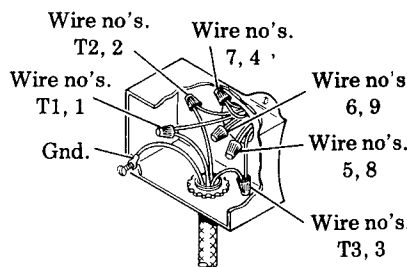
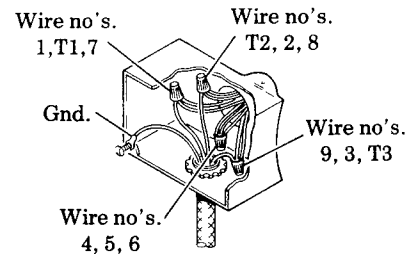
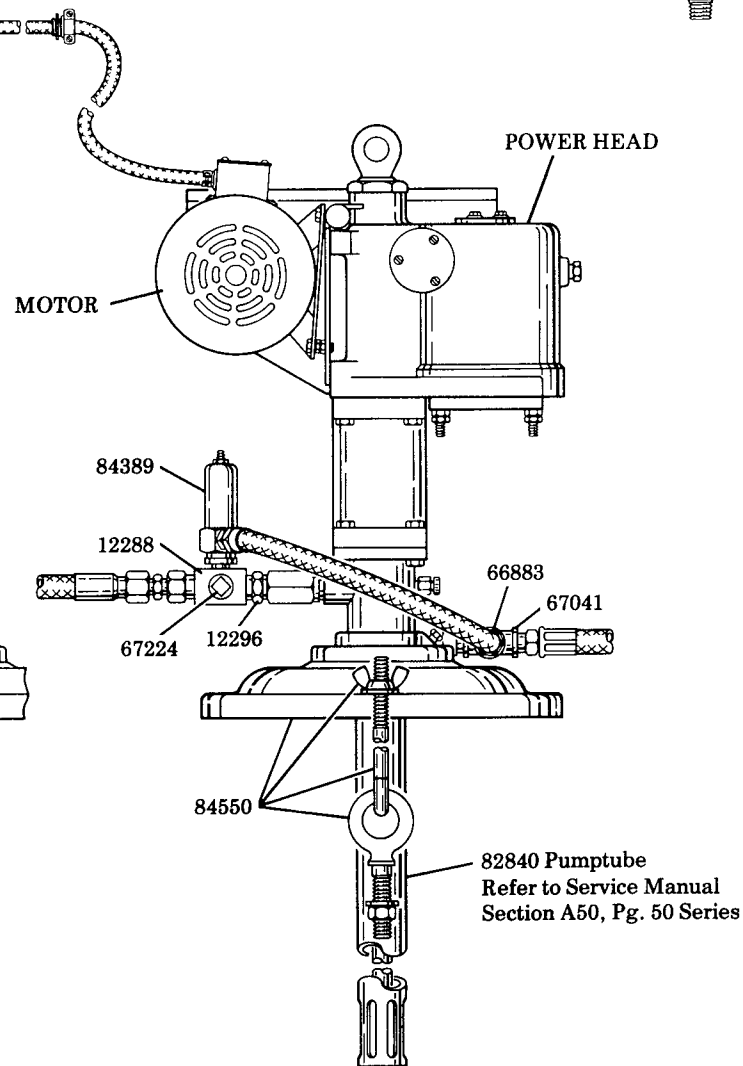
SECTION - C8
PAGE - 192B



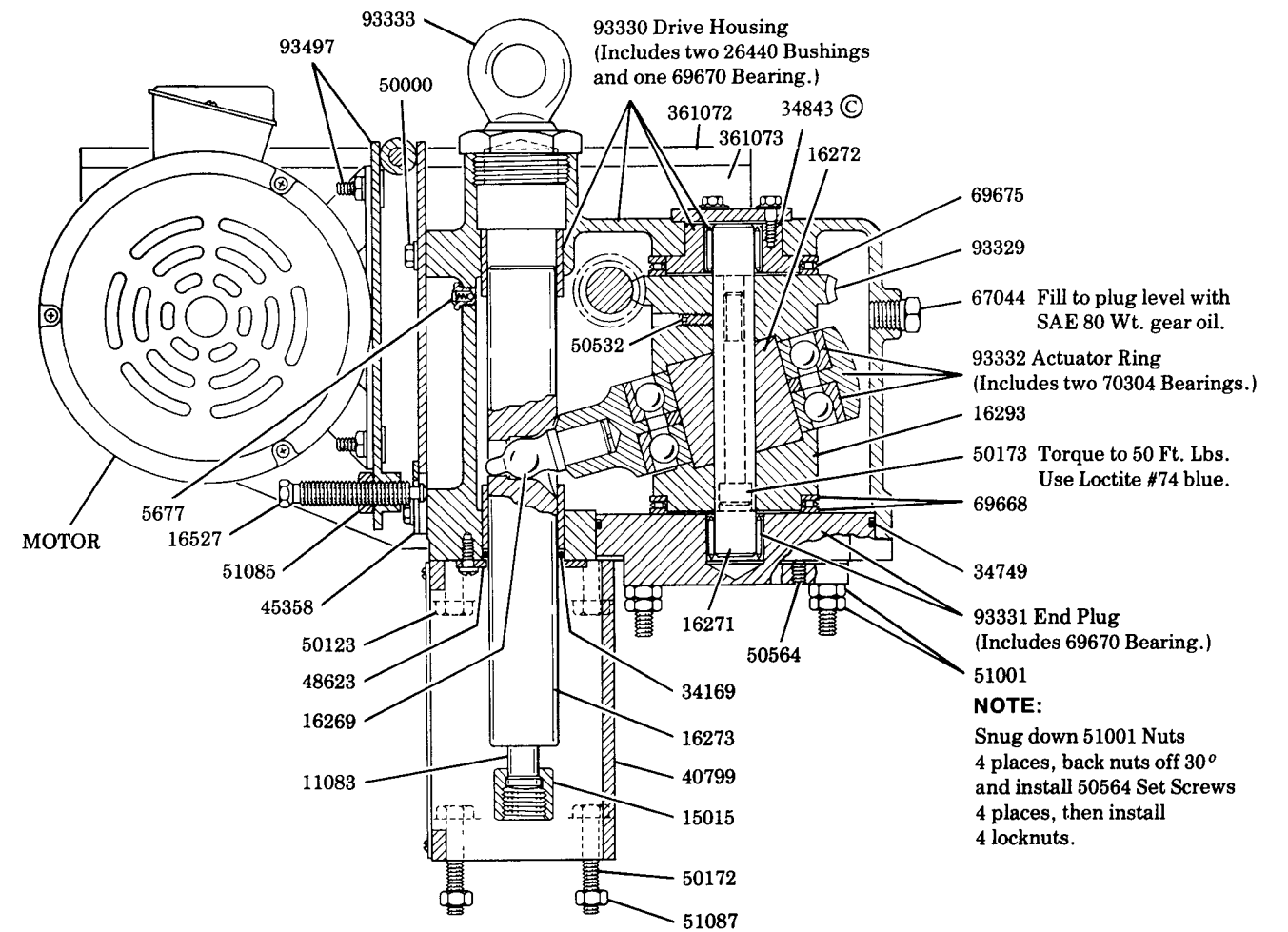
84389 SAFETY UNLOADER
(Set at 3000-3500 psi.)



NOTE: Pulleys must align to assure belts are straight. Belts must deflect 1/8 inch with 1-1/8 to 1-5/8 lbs. force.



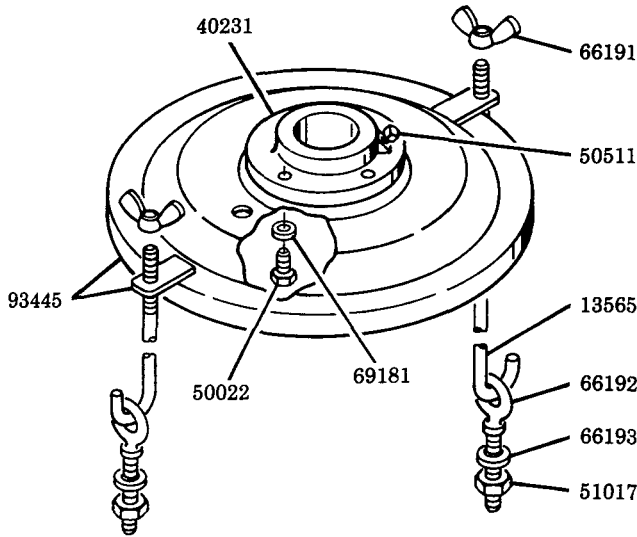
MOTOR CONNECTION for 230/460 Volts



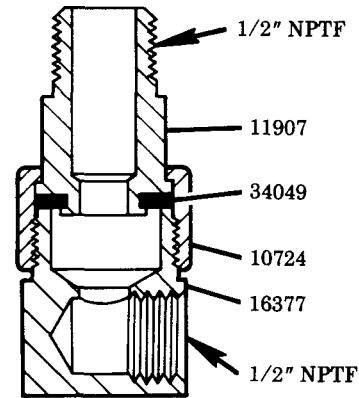
NOTE: Snug down 51001 Nuts 4 places, back nuts off 30° and install 50564 Set Screws 4 places, then install 4 locknuts.

Pump Assembly	Power Head	Motor	Voltage
84542	84549	69378	230/460 V., 60 Hz., 3 Phase
84548	84549	*323086	230/460 V., 60 Hz., 3 Phase

*Class I, Group D, Class II, Groups E, F & G Explosion-proof. Must be wired and sealed at installation site.



84550 DRUM COVER



81753 ELBOW UNION

SERVICE PARTS

PART	QUAN.	DESCRIPTION	PART	QUAN.	DESCRIPTION	PART	QUAN.	DESCRIPTION
5677	1	Relief fitting	34547	1	O-ring	67224	1	Pipe plug
10724	1	Elbow union nut	34749	1	O-ring	67290	1	Vent pipe
11083	1	Coupling stud	34843	1	O-ring	68502	4	Screw
11197	2	Nipple	40231	1	Pump flange	68523	1	Wave washer
11907	1	Check union nipple	40799	1	Support casting	69181	4	Lockwasher
12018	2	Bushing	45358	1	Retainer strap	69264	2	Retaining ring
12288	1	Adapter block	48392	3	Washer	69271	1	Bearing
12296	1	Nipple	48415	3	Washer	69668	4	Thrust race
12303	1	Unloader check	48623	1	Oil seal	69669	1	Oil seal
12304	1	Unloader body	48630	1	End cap	69670	2	Needle bearing
12305	1	Slug	50000	4	Screw	69673	1	Ball bearing
12538	1	Nut	50022	4	Screw	69675	2	Needle thrust bearing
13565	2	Tie rod	50037	3	Screw	69987	1	Retaining ring
13808	1	Adapter	50123	4	Screw	70304	2	Angular contact bearing
14851	1	Retainer	50172	4	Screw	70307	1	Sheave
14918	1	Oil seal retainer	50173	2	Screw	70308	1	Sheave
15015	1	Coupling nut	50417	9	Screw	70444	1	Vee belts (set of 2)
16269	1	Ball pin	50511	2	Screw	73060	1	Vent hose
16271	1	Shaft	50532	1	Set screw	76A060	1	Delivery hose
16272	1	Shaft	50564	4	Set screw	81753	1	Elbow union
16273	1	Actuator rod	50735	1	Screw	82840	1	Pumptube
16292	1	Unloader seat	50757	3	Bolt	84389	1	Safety unloader
16293	1	Wobble plate	51001	8	Nut	84550	1	Drum cover assembly
16295	1	Cylindrical worm & shaft	51003	1	Nut	91268	1	Hose
16377	1	Check housing	51017	2	Nut	93329	1	Worm gear & wobble plate
16430	1	Unloader adapter	51026	4	Nut	93330	1	Drive housing
16526	1	Guide pin	51085	1	Nut	93331	1	End plug & bearing
16527	1	Adjustment screw	51087	4	Lock nut	93332	1	Actuator ring & bearing
16528	1	Square key	55185	1	Spring	93333	1	Pad eye & cover nut
26440	2	Bushing	66191	2	Wing nut	93445	1	Drum cover
31002	1	Gasket	66192	2	Eye bolt	93496	1	Motor mount weldment
31010	2	Gasket	66193	2	Washer	93497	1	Motor mount weldment
31167	1	Gasket	66246	8	Lockwasher	361054	1	Bracket
34049	1	Elbow union gasket	66883	2	Union adapter	361072	1	Pulley guard
34169	1	O-ring	67041	1	Tee	361073	1	Pulley guard bracket
34262	1	O-ring	67044	1	Pipe plug			

RETAIN THIS INFORMATION FOR FUTURE REFERENCE

When ordering replacement parts, list: Part Number, Description, Model Number, and Series Letter.

LINCOLN ST. LOUIS provides a Distributor Network that stocks equipment and replacement parts.
A list of Authorized Service Departments will be furnished upon request.