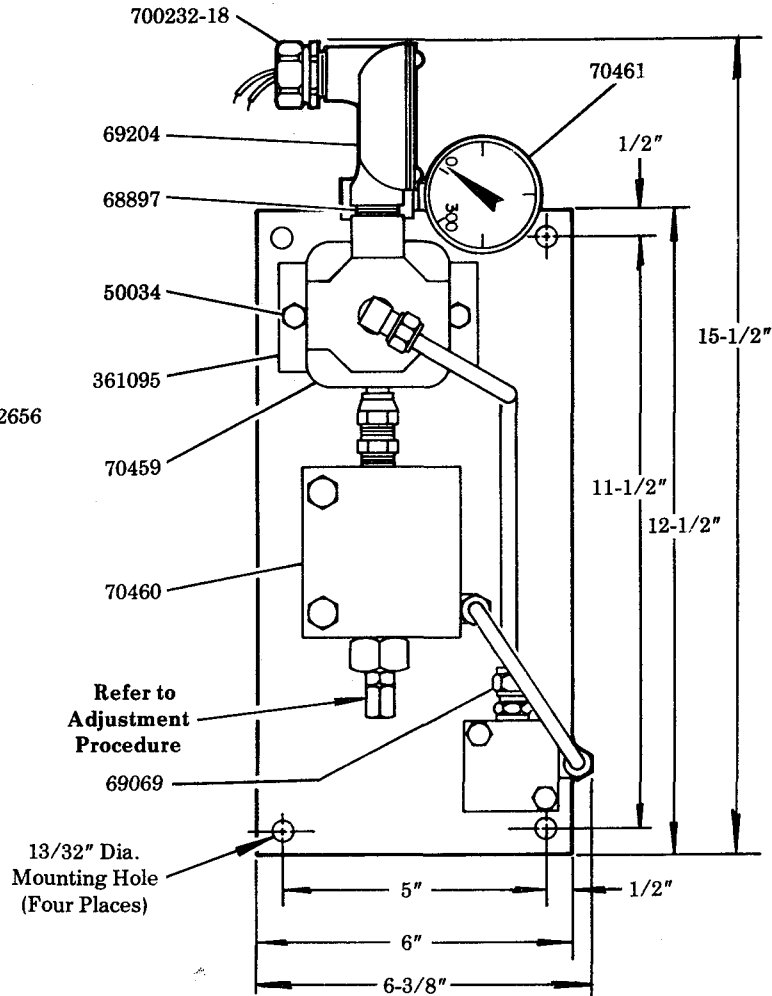
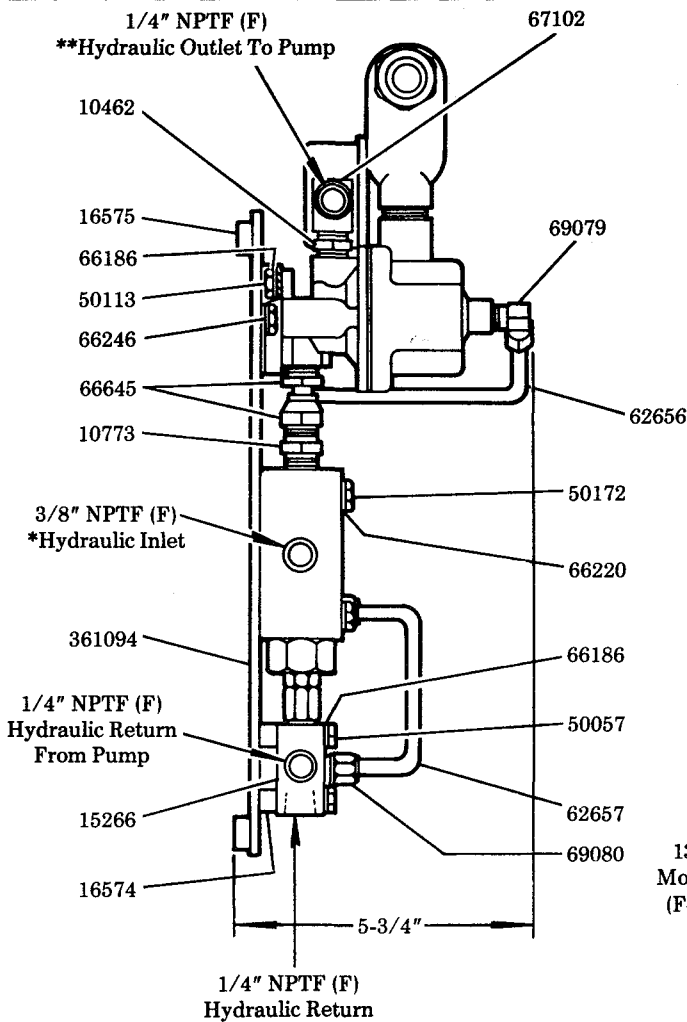


HYDRAULIC CONTROL PANEL

24 VOLT DC

Model 84615



SPECIFICATIONS:

*HYDRAULIC INLET PRESSURE: 2000 PSI Max.

**HYDRAULIC OUTLET PRESSURE: 25 Min. - 200 Max. PSI.
(Factory Preset at 100 PSI)

MAXIMUM HYDRAULIC OIL TEMPERATURE: 150° F.
(If higher temperature is required, contact factory.)

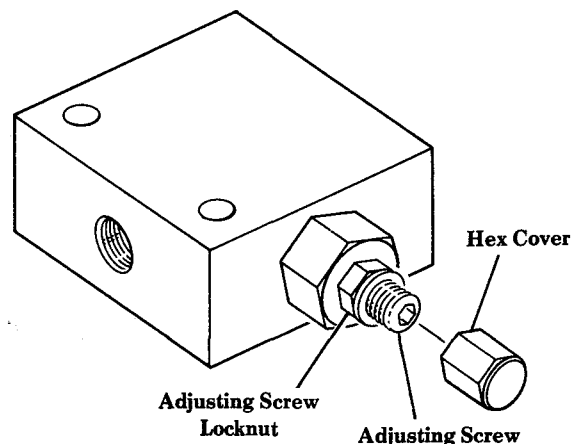
ADJUSTMENT PROCEDURE

To adjust hydraulic outlet pressure, remove hex cover on adjusting screw. Loosen adjusting screw locknut. Turn adjusting screw clockwise to increase pressure, counter-clockwise to decrease pressure. Retighten locknut and replace cover.

CAUTION

Do not exceed 200 PSI hydraulic outlet pressure.

SOLENOID VALVE VOLTAGE: 24 VDC, 14 Watts
PRESSURE REDUCER PILOT FLOW: 10-15 Cu. In./Min.



LINCOLN

A DIVISION OF
McNEIL CORPORATION

One Lincoln Way
St. Louis, MO 63120-1578
(314) 679-4200

SECTION - C8
PAGE - 201C

SERVICE PARTS

PART	QUAN.	DESCRIPTION	PART	QUAN.	DESCRIPTION
10462	1	Nipple	66645	1	Union
10773	1	Nipple	67102	1	Pipe tee
15266	1	Cross	68897	1	Nipple
16574	2	Spacer	69069	1	Tube connector
16575	4	Spacer	69079	1	Tube connector
50034	2	Screw	69080	2	Tube connector
50057	2	Screw	69204	1	Conduit elbow
50113	2	Screw	70459	1	3-Way solenoid valve
50172	2	Screw	70460	1	Pressure reducing valve
62656	1	Tube	70461	1	Pressure gauge
62657	1	Tube	361094	1	Mounting plate
66186	4	Lockwasher	361095	1	Bracket
66220	2	Lockwasher	700232-18	1	Conduit connector
66246	2	Lockwasher			

RETAIN THIS INFORMATION FOR FUTURE REFERENCE

When ordering replacement parts, list: Part Number, Description, Model Number, and Series Letter.

LINCOLN ST. LOUIS provides a Distributor Network that stocks equipment and replacement parts.
A list of Authorized Service Departments will be furnished upon request.