

**HYDRAULICALLY OPERATED, 60 LB. CONTAINER**  
**HIGH PRESSURE 2,500 PSI**

**DESCRIPTION**

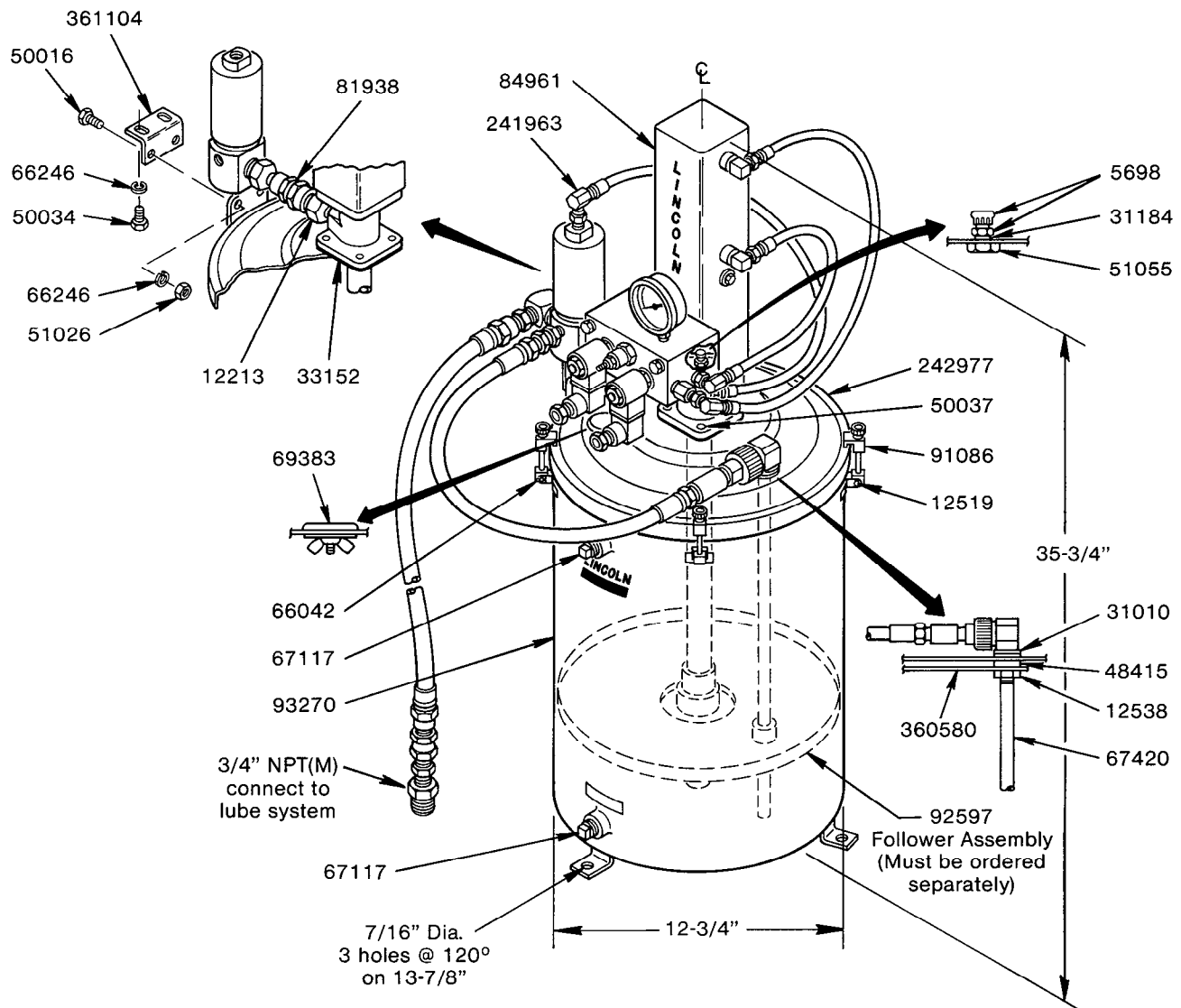
The Model 84944 is a pumping system designed to operate a centralized lubrication system which utilizes single line parallel grease metering components. The pump is double acting, dispensing lubricant on both the UP and DOWN strokes. This unit is designed to be used with SL-1, SL-11, SL-32 and SL-33 series injectors or a combination of these. This unit is designed for off road equipment which utilize 24 VDC power sources. This unit can be used in conjunction with the Model 84530 Controller and Model 244270 Cycle Timer or 84015 Controller.

Refer to separate sheets for:

- 84961 Hydraulic Pump** - Section C8, Page 240
- 84530 Controller** - Section C8, Page 247

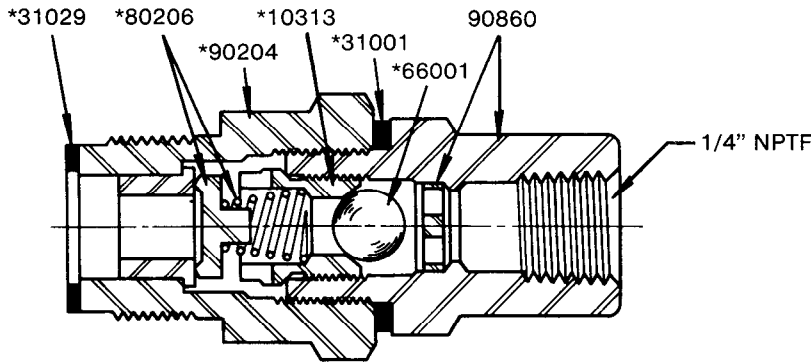
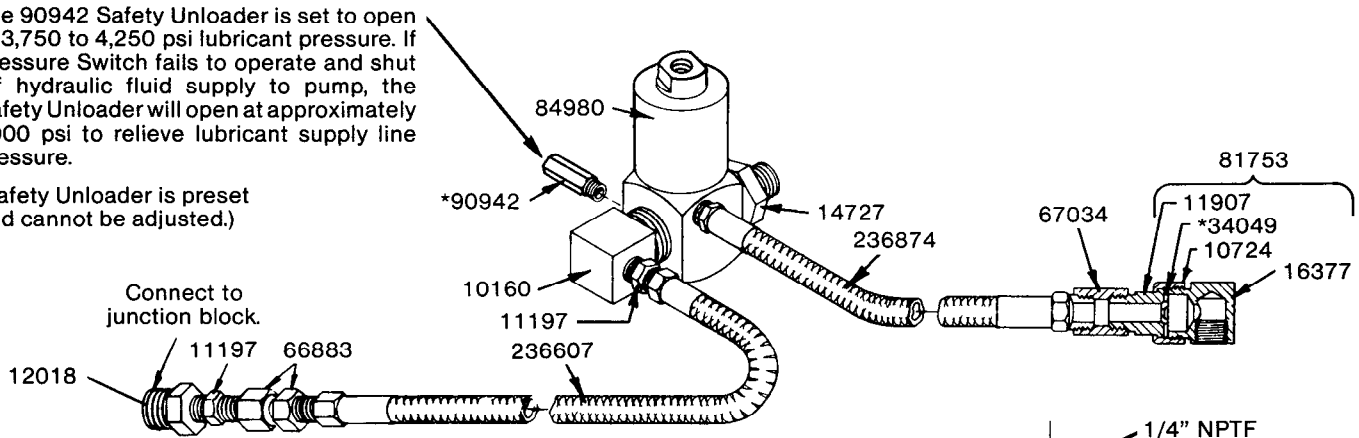
**SPECIFICATIONS**

PUMP RATIO .....	16:1
INPUT PRESSURE .....	300-3000 PSI
INPUT FLOW .....	1.0 GPM
MAXIMUM HYDRAULIC TEMPERATURE ...	210° F
OUTPUT PRESSURE .....	3500 PSI MAXIMUM
OUTPUT FLOW .....	11 IN <sup>3</sup> /MIN.
AMBIENT TEMPERATURE .....	-40° to 135° F
<b>SEALS</b>	
PUMP .....	POLYURETHANE
MOTOR .....	BUNA-N
VENT VALVE .....	VITON
HYDRAULIC FILTRATION REQUIRED .....	10 MICRON
CONTAINER CAPACITY .....	60 LBS.



The 90942 Safety Unloader is set to open at 3,750 to 4,250 psi lubricant pressure. If Pressure Switch fails to operate and shut off hydraulic fluid supply to pump, the Safety Unloader will open at approximately 4000 psi to relieve lubricant supply line pressure.

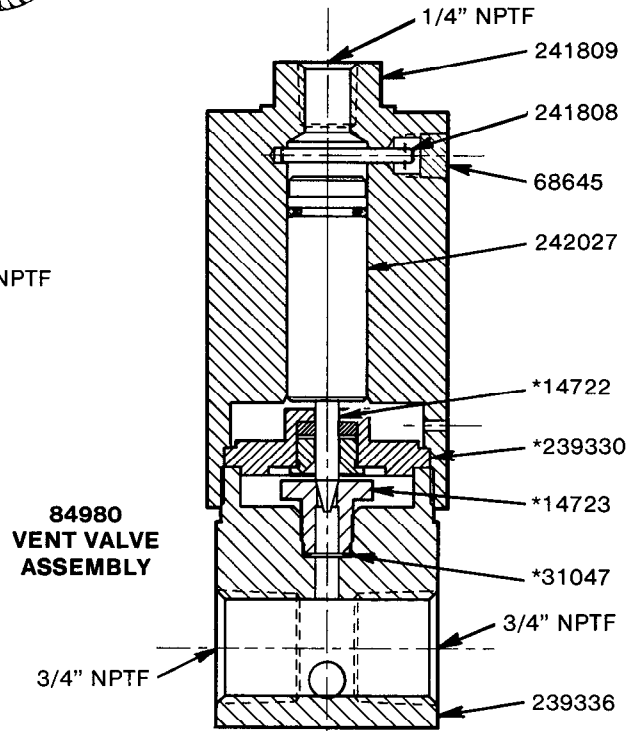
(Safety Unloader is preset and cannot be adjusted.)



**81938  
OUTLET CHECK ASSEMBLY**

The pump will not build up sufficient lubricant pressure if the outlet check is fouled. Foreign material may lodge beneath the 66001 Ball Check or between 80206 Check Disc and the seat of 90204 Bushing. Sealing surfaces of disc and seat must form perfect seal.

Clean parts or replace if pitted, worn or scored.



**84980  
VENT VALVE  
ASSEMBLY**

### SERVICE PARTS

Part	Qty.	Description	Part	Qty.	Description	Part	Qty.	Description
5698	1	Vent fitting	33152	1	Gasket	81938	1	Outlet check assembly
10160	1	Elbow	*34049	1	Elbow union gasket	84961	1	Bare pump assembly
*10313	1	Ball check seat	48415	4	Washer	84980	1	Vent valve assembly
10724	1	Elbow union nut	50016	2	Screw	*90204	1	Outlet check bushing
11197	2	Nipple	50034	2	Screw	90860	1	Outlet connector
11907	1	Check union nipple	50037	4	Screw	*90942	1	Safety unloader ass'y.
12018	1	Bushing	51026	2	Nut	91086	4	Latch assembly
12213	1	Adapter	51055	1	Nut	93270	1	Container assembly
12519	4	Fastener	*66001	1	Steel ball (3/8" Dia.)	236607	1	Delivery hose
12538	1	Nut	66042	4	Cotter pin	236874	1	Volume hose
*14722	1	Needle	66246	4	Lockwasher	*239330	1	Packing
*14723	1	Valve seat	66883	1	Adapter union	239336	1	Valve body
14727	1	Nipple	67034	1	Pipe coupling	241808	1	Pin
16377	1	Check housing	67117	2	Pipe plug	241809	1	Cylinder
*31001	1	Gasket	67420	1	Vent pipe	241963	1	Hose assembly
*31010	2	Gasket	68645	1	Plug	242027	1	Piston assembly
*31029	1	Gasket	69383	1	Knockout plug	242977	1	Drum cover assembly
*31047	1	Check seat gasket	*80206	1	Pump check disc ass'y.	360580	1	Bracket assembly
31184	1	Gasket	81753	1	Elbow union	361104	1	Bracket

\* Recommended Service Parts Inventory.

**RETAIN THIS INFORMATION FOR FUTURE REFERENCE**

When ordering replacement parts, list: Part Number, Description, Model Number and Series Letter.  
LINCOLN provides a Distributor Network that stocks equipment and replacement parts.