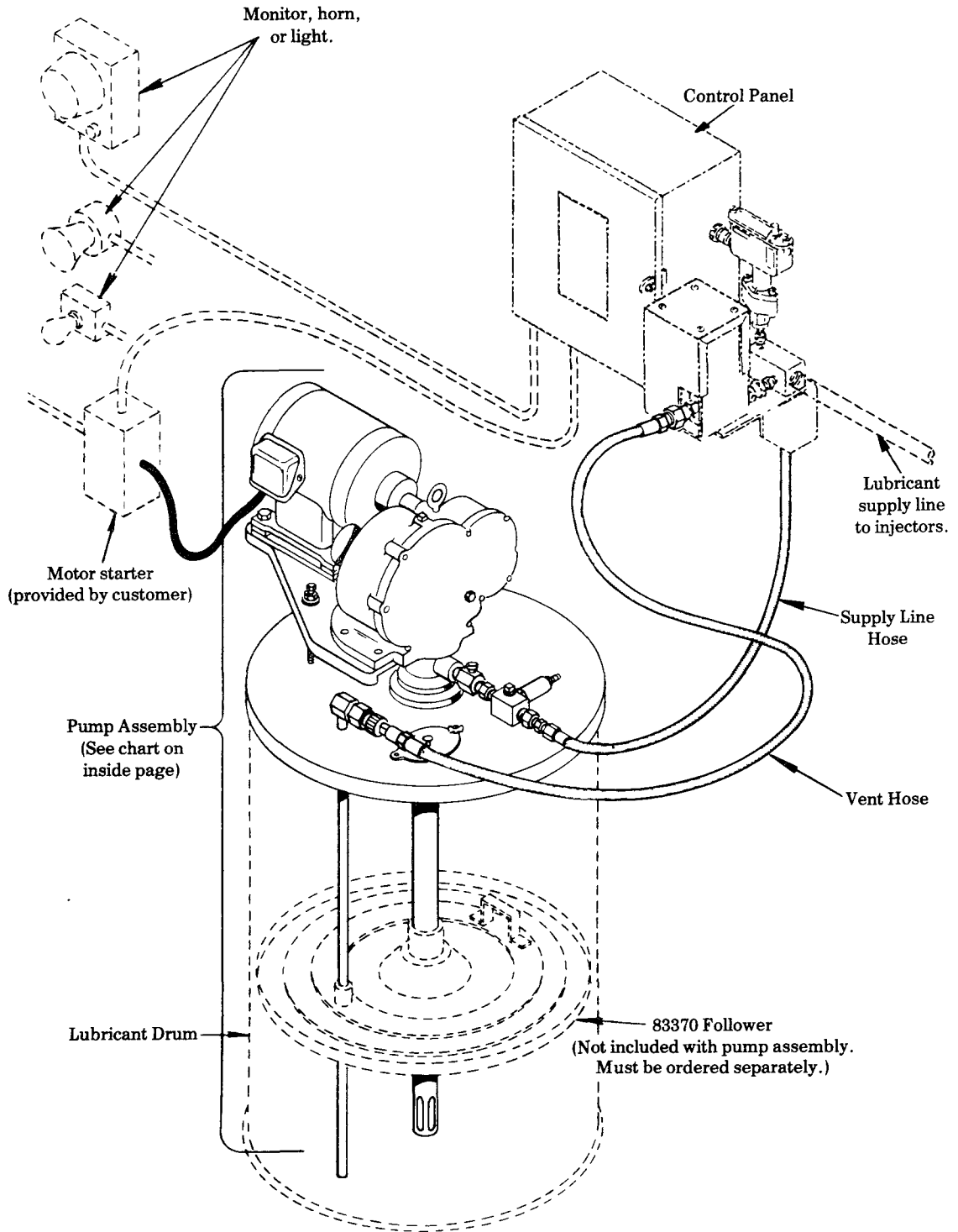


ELECTRIC MOTOR OPERATED  
400 LB. DRUM SIZE  
HIGH PRESSURE—2500 PSI SYSTEM



# CENTRO-MATIC DRUM PUMP

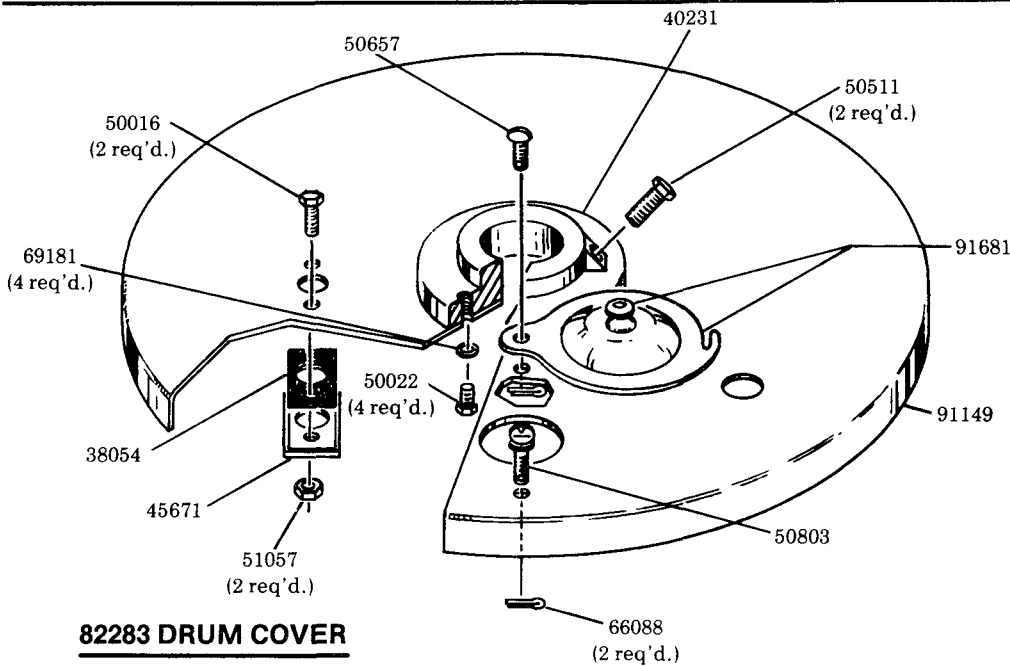


**LINCOLN ST. LOUIS**  
4010 GOODFELLOW BLVD • ST. LOUIS, MO. 63120 • (314) 383-5900

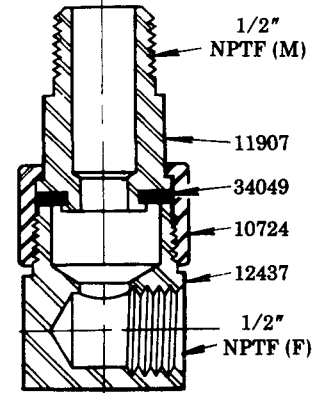


SECTION - **C8**  
PAGE - **24Q**





**82283 DRUM COVER**



**81753 ELBOW UNION**

**SERVICE PARTS**

PART	QUAN	DESCRIPTION	PART	QUAN	DESCRIPTION	PART	QUAN	DESCRIPTION
10724	1	Elbow union nut	48431	4	Washer	66637	1	Bearing
11083	1	Coupling stud	50015	4	Screw	66640	3	Bearing
11197	2	Hex nipple	50016	2	Screw	66641	1	Bearing
11907	1	Check union nipple	50022	4	Screw	66642	1	Woodruff key
12018	2	Bushing	50030	4	Screw	66643	1	Eye bolt
12288	1	Adapter block	50038	4	Screw	66652	2	Square key
12296	1	Hex nipple	50137	3	Screw	66809	1	Bearing
12302	1	Unloader seat	50148	4	Screw	66875	4	Thrust bearing
12303	1	Unloader check	50511	2	Screw	66883	1	Adapter union
12304	1	Unloader body	50526	9	Screw	67007	1	Pipe plug
12305	1	Slug	50624	2	Screw	67034	1	Coupling
12357	1	Vent adapter	50625	4	Screw	67044	1	Pipe plug
12437	1	Check housing	50628	4	Screw	67224	1	Pipe plug
12732	1	Yoke key	50657	1	Bolt	67241	1	Vent pipe
12741	1	Secondary pinion	50735	1	Screw	67293	1	Pipe plug
12742	1	Oil seal retainer	50740	2	Screw	69181	4	Lockwasher
12743	1	Motor pinion	50741	2	Screw	70074	8	Washer
13808	1	Adapter	50765	8	Screw	73060	1	Vent hose
14607	1	Square key	50803	1	Thumb screw	76A060	1	Delivery hose
15015	1	Coupling nut	51003	1	Nut	81753	1	Elbow union
31002	1	Gasket	51005	8	Nut	82009	1	Safety unloader
33060	1	Motor shaft oil seal	51014	2	Nut	82283	1	Drum cover
33061	1	Gasket	51032	4	Nut	82285	1	Power unit
33070	1	Oil seal gasket	51040	4	Nut	82290	1	Case assembly
33071	1	Cover gasket	51043	3	Nut	82291	1	Cover assembly
34049	1	Elbow union gasket	51048	1	Nut	83348	1	Pumptube
38054	1	Vent pipe packing	51057	6	Nut	84066	1	Control panel
40231	1	Flange	55067	1	Spring	91149	1	Drum cover
40340	1	Gear	55185	1	Spring	91180	1	Eccentric block
40380	1	Scotch yoke	57030	1	Retainer	91181	1	Eccentric gear
40382	1	Motor plate	66088	2	Cotter pin	91681	1	Cover plate
45671	1	Packing housing	66170	2	Lockwasher	360867	2	Spacer
48019	8	Washer	66202	2	Screw	360868	2	Spacer
48028	1	Washer	66213	3	Lockwasher	360869	2	Mounting plate
48286	4	Washer	66296	2	B.X. connector			

**RETAIN THIS INFORMATION FOR FUTURE REFERENCE**

When ordering replacement parts, list: Part Number, Description, Model Number, and Series Letter.  
 LINCOLN ST. LOUIS provides a Distributor Network that stocks equipment and replacement parts.  
 A list of Authorized Service Departments will be furnished upon request.