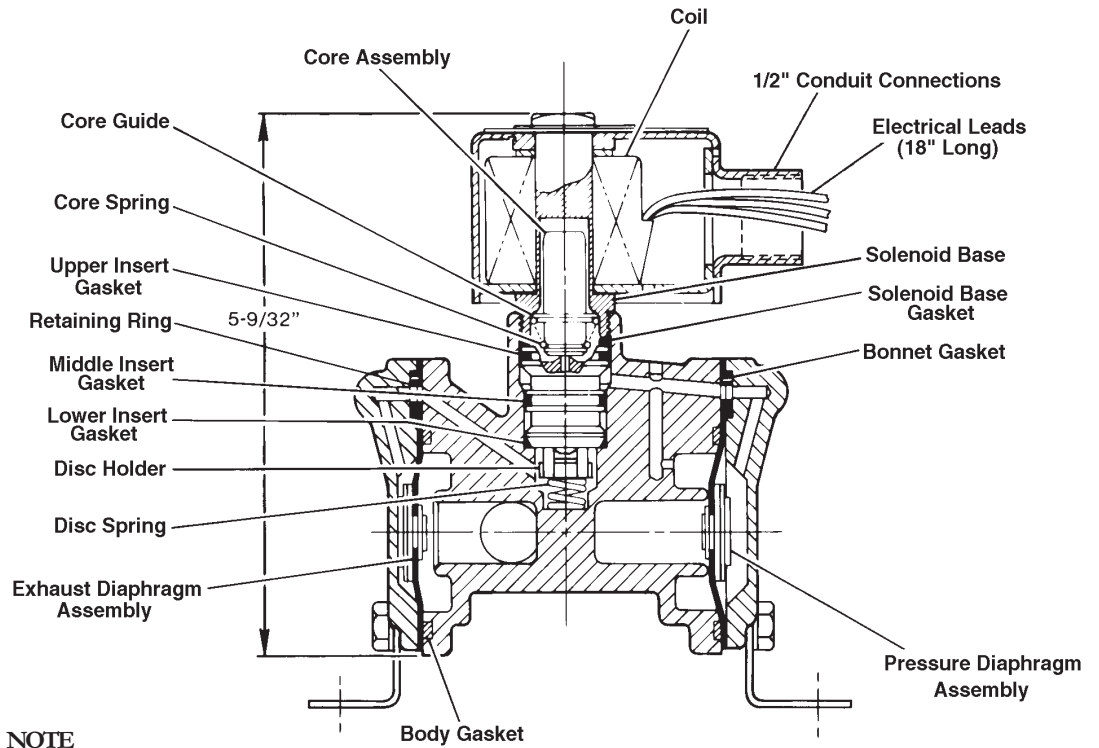


U. L. LISTED

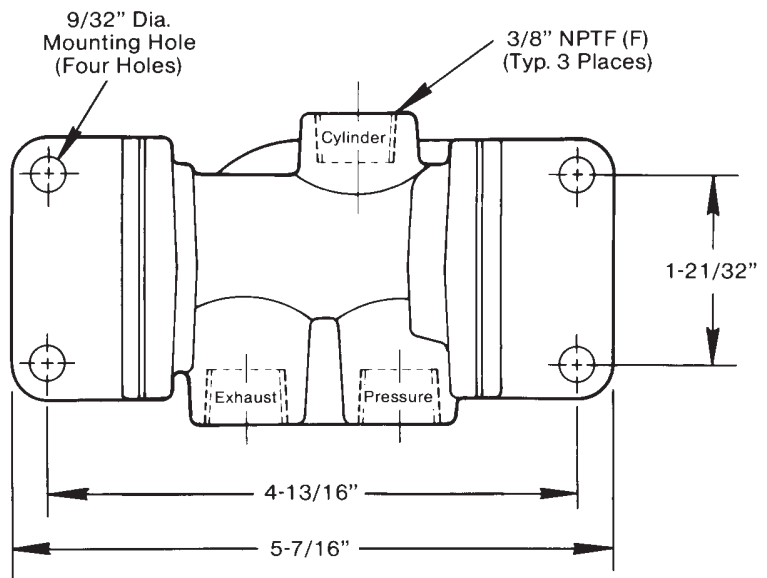
NORMALLY CLOSED



NOTE

All parts included in
243243 Spare Parts Kit.
(Excluding Coil)

Model	Coil	Voltage
242727	242739	120 V., 60 Hz.
242729	242740	220 V., 50 Hz.



RETAIN THIS INFORMATION FOR FUTURE REFERENCE

When ordering replacement parts, list: Part Number, Description, Model Number and Series Letter.
LINCOLN provides a Distributor Network that stocks equipment and replacement parts.