

SINGLE AND MANIFOLD TYPE

For Dispensing Grease

Not to Exceed N.L.G.I. #2 Grease and 300°F

SPECIFICATIONS

Minimum operating pressure - 1,850 PSI.

Maximum operating pressure - 3,500 PSI.

Recommended operating pressure - 2,500 PSI.

Maximum vent (Recharge) pressure - 600 PSI.

Lubricant output is adjustable from .008 cu. in. to .08 cu. in.

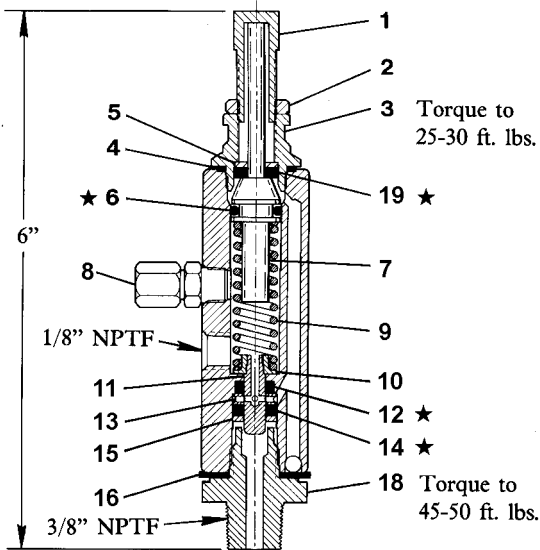
Injectors can be mounted in any position and can be used in circuits with SL-32 and/or SL-33 Injectors.

SERVICE PARTS

Item No.	Description	Qty.	Part No.
1	Adjusting screw	1	11623
2	Lock nut	1	11624
3	Piston stop plug	1	11450
4	Gasket	2	#
5	Washer	1	#
6	O-ring	1	# *
7	Piston assembly	1	#
8	Fitting assembly	1	90471
9	Plunger spring	1	#
10	Spring seat	1	#
11	Plunger	1	#
12	Packing	1	# *
13	Inlet disc	1	#
14	Packing	1	# *
15	Washer	1	#
16	Gasket	1	31064
17	Adapter bolt	1	11961
18	Adapter	1	13216
19	Packing	1	# *

Included in 246417 Repair Kit.

* Included in 246418 Soft Parts Kit.

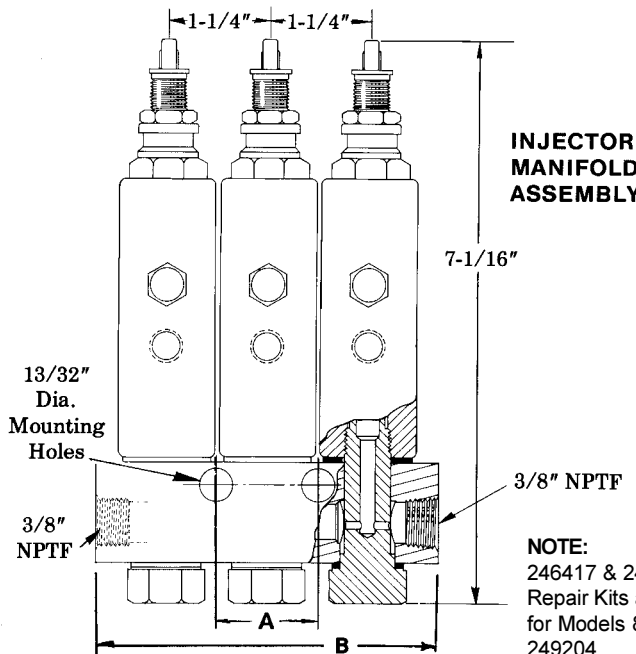


**MODEL 249204
SINGLE UNIT INJECTOR**

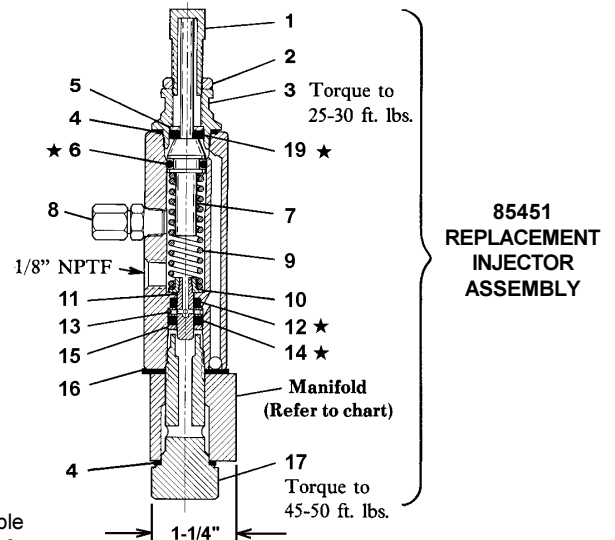
MANIFOLD TYPE INJECTORS

Model	Type	Dim. A	Dim. B	Manifold
85451-1	Single injector manifold	**	2-1/2"	12658
85451-2	Two injector manifold	**	3"	11962
85451-3	Three injector manifold	1-1/4"	4-1/4"	11963
85451-4	Four injector manifold	2-1/2"	5-1/2"	11964
85451-5	Five injector manifold	3-3/4"	6-3/4"	11965
85451-6	Six injector manifold	5"	8"	246965

** Single mounting hole.



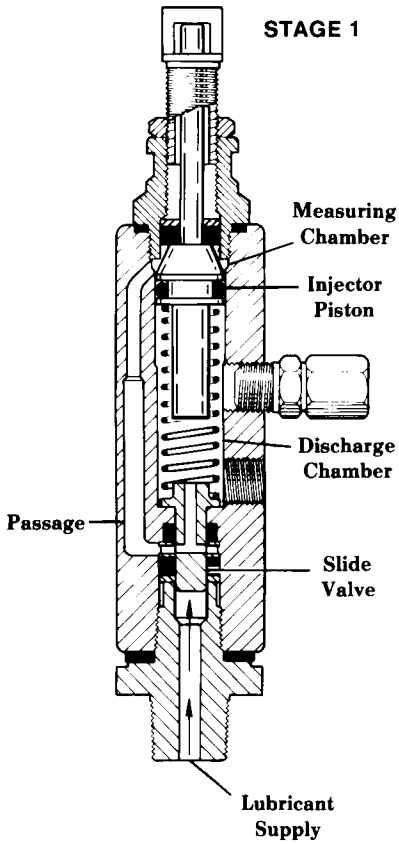
**INJECTOR
MANIFOLD
ASSEMBLY**



**85451
REPLACEMENT
INJECTOR
ASSEMBLY**

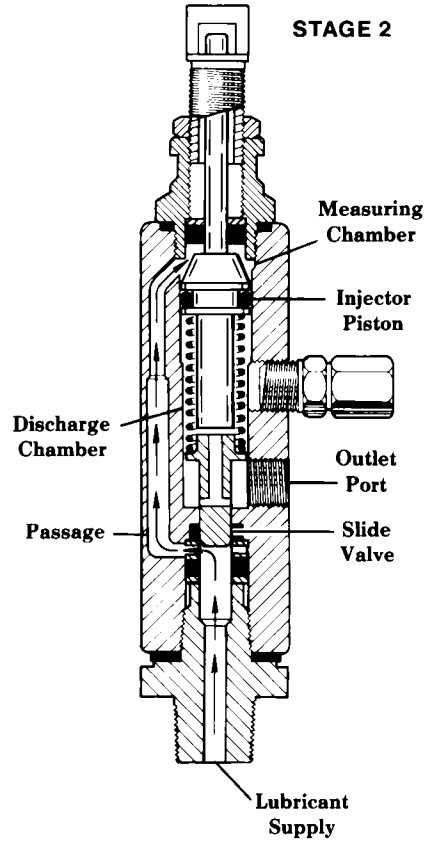
© Indicates Change

OPERATION



STAGE 1

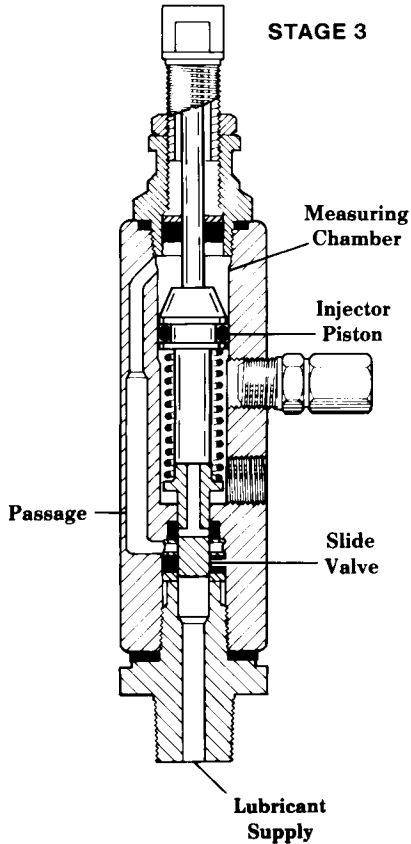
The injector piston is in its normal or rest position. The discharge chamber is filled with lubricant from the previous cycle. Under the pressure of incoming lubricant, the slide valve is about to open the passage leading to the measuring chamber above the injector piston.



STAGE 2

STAGE 2

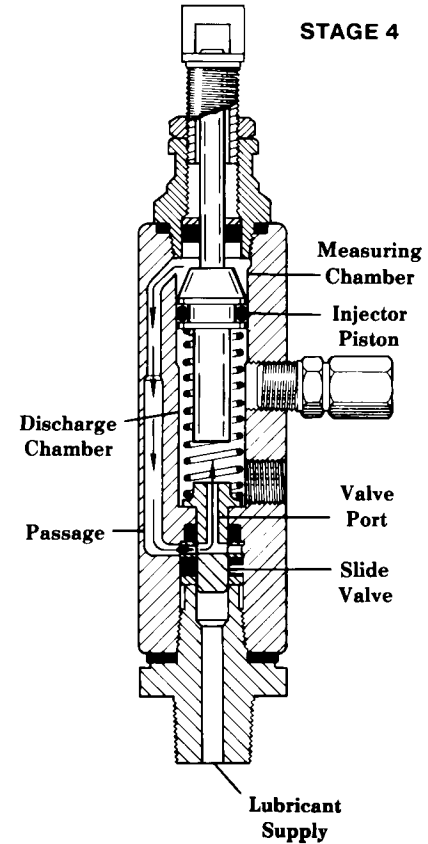
When the slide valve uncovers the passage, lubricant is admitted to the measuring chamber above the injector piston which forces lubricant from the discharge chamber through the outlet port to bearing.



STAGE 3

STAGE 3

As the injector piston completes its stroke, it pushes the slide valve past the passage, cutting off further admission of lubricant to the passage and measuring chamber. The injector piston and slide valve remain in this position until lubricant pressure in the supply line is vented (relieved at the pump).



STAGE 4

STAGE 4

After venting, the injector spring expands, causing the slide valve to move, so that the passage and discharge chamber are connected by a valve port. Further expansion of the spring causes the piston to move upward, forcing the lubricant in the measuring chamber through the passage and valve port to refill the discharge chamber.

Injector is now ready for next cycle.

RETAIN THIS INFORMATION FOR FUTURE REFERENCE

When ordering replacement parts, list: Part Number, Description, Model Number and Series Letter.
LINCOLN provides a Distributor Network that stocks equipment and replacement parts.