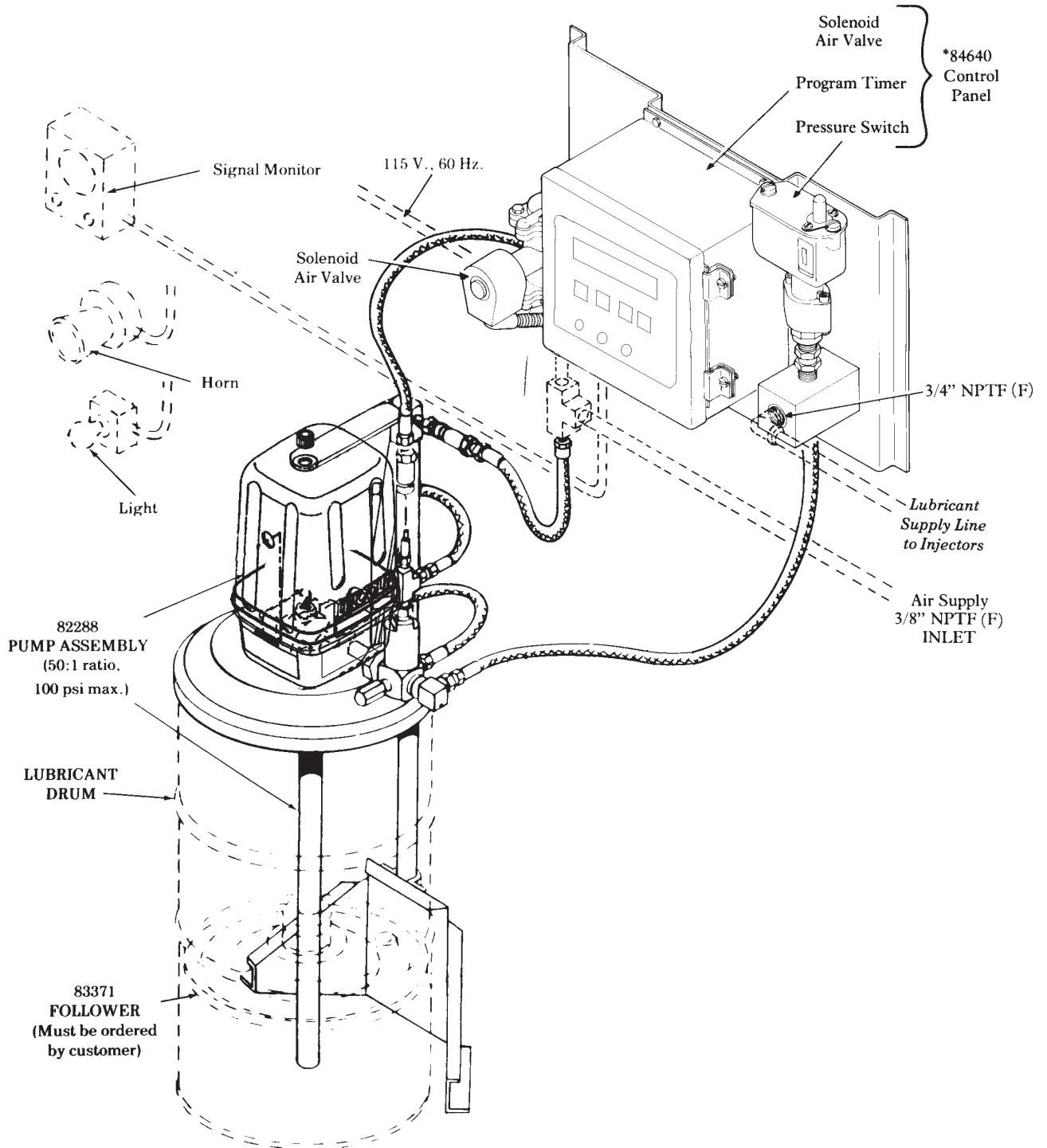
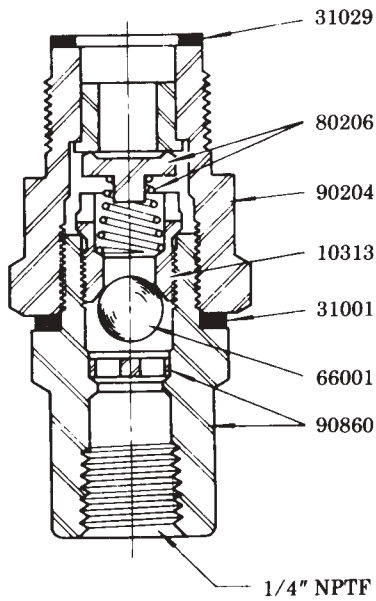
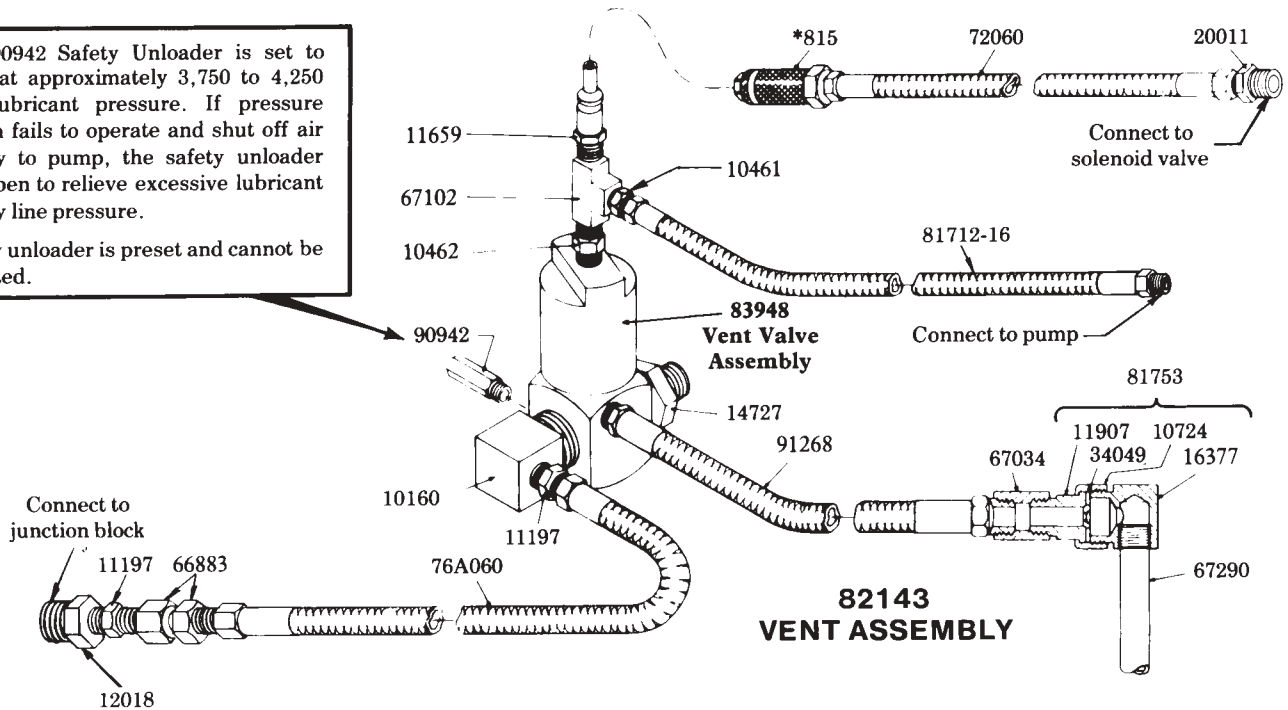


AIR OPERATED - 120 LB. DRUM SIZE
HIGH PRESSURE 2,500 PSI SYSTEM



The 90942 Safety Unloader is set to open at approximately 3,750 to 4,250 PSI lubricant pressure. If pressure switch fails to operate and shut off air supply to pump, the safety unloader will open to relieve excessive lubricant supply line pressure.

Safety unloader is preset and cannot be adjusted.

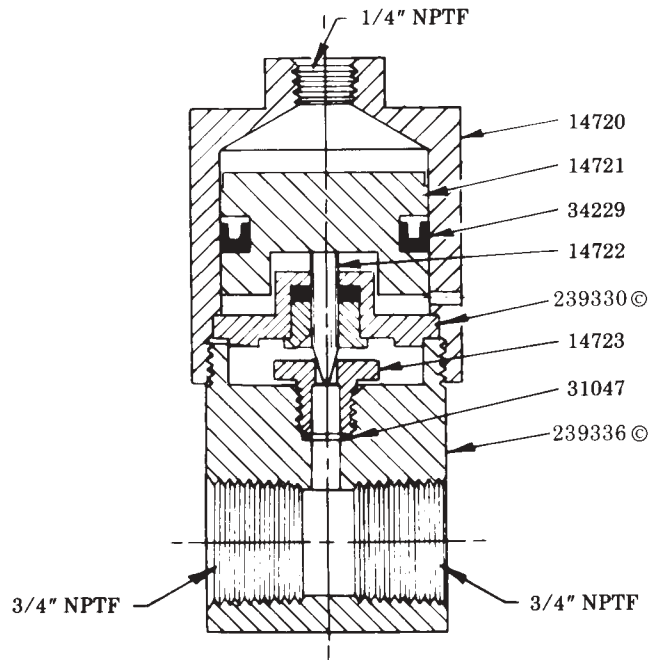


**81938
OUTLET CHECK ASSEMBLY**

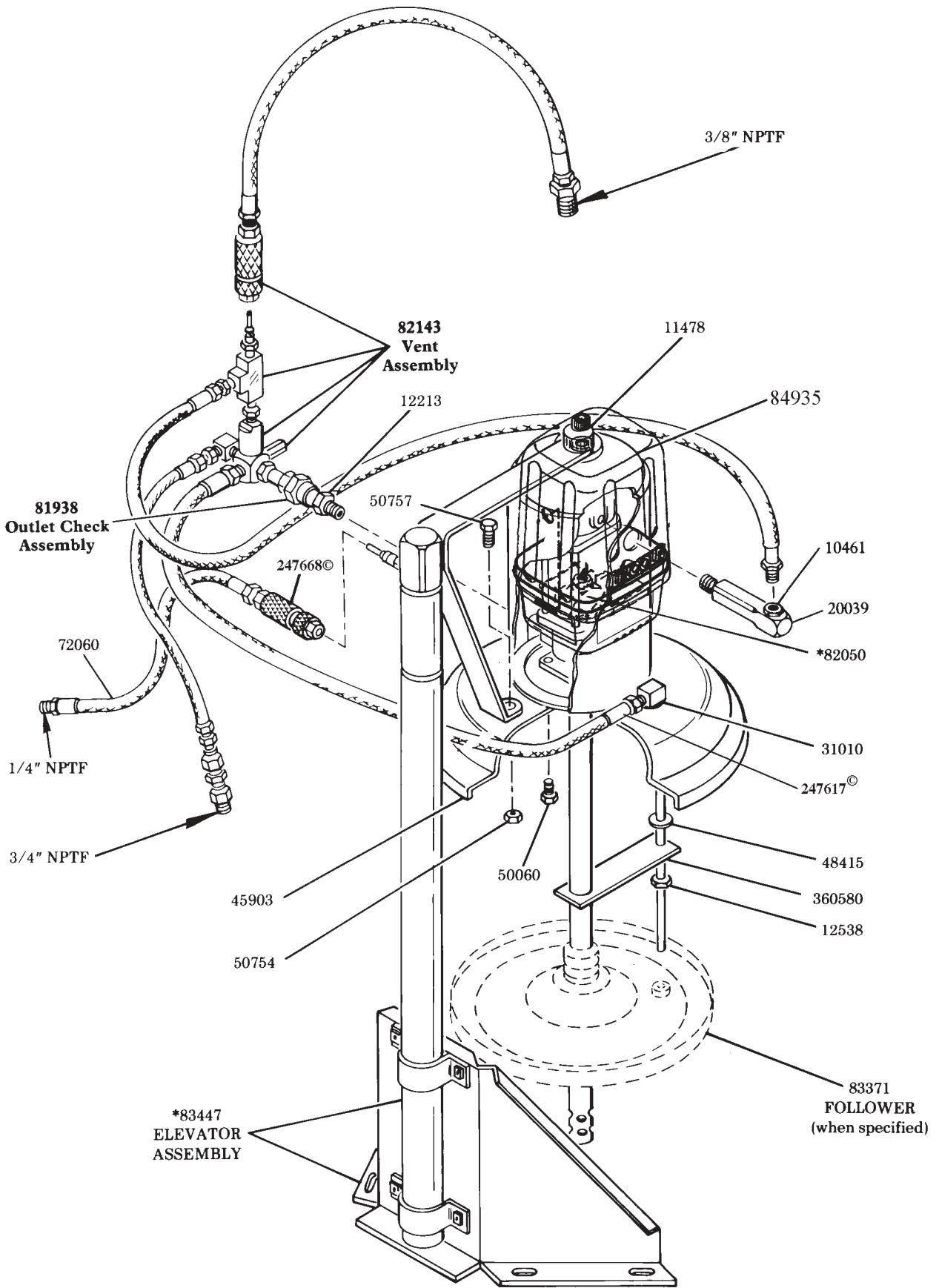
The lubrigun will not build up sufficient pressure if the outlet check is fouled. Foreign material may lodge beneath 66001 Ball Check or between 80206 Check Disc and the check seat of the 90204 Outlet Check Bushing.

Sealing surface of disc and seat must form a perfect seal.

Replace if pitted, worn or scored.



**83948
VENT VALVE ASSEMBLY**



SERVICE PARTS

Part	Qty.	Description	Part	Qty.	Description
10160	1	Elbow	50754	1	Nut
10313	1	Ball Check Seat	50757	1	Screw
10461	2	Bushing	66001	1	Ball
10462	1	Nipple	66883	1	Union
10724	1	Elbow Union Nut	67034	1	Pipe Coupling
11197	2	Nipple	67102	1	Pipe Tee
11478	1	Cover Nut	67290	1	Vent Pipe
11659	1	Fitting	80206	1	Vent Pipe
11907	1	Check Union Nipple	81753	1	Check Disc Assembly
12018	1	Bushing	81938	1	Elbow Union
12213	1	Adapter	82050	1	Outlet Check Assembly
12538	1	Nut	82143	1	Vent Assembly
14720	1	Air Cylinder	82288	1	Centro-Matic Pump
14721	1	Piston	83447	1	Elevator Assembly
14722	1	Needle	83948	1	Vent Valve Assembly
14723	1	Valve Seat	84067	1	Control Panel
14727	1	Nipple	84935	1	Pump Cover Kit
16377	1	Check Housing	90204	1	Outlet Check Bushing
20011	1	Bushing	90860	1	Outlet Connector
20039	1	Adapter	90942	1	Safety Unloader
31001	1	Gasket	236607	1	Hose Assembly
31010	1	Gasket	236737	1	Air Hose
31029	1	Gasket	236874	1	Volume Hode
31047	1	Check Seat Gasket	237318	1	Flexible Tube
34049	1	Elbow Union Gasket	239330	1	Viton Packing Assembly
34229	1	Packing	239336	1	Valve Body
45903	1	Drum Cover	247668	2	Air Coupler
48415	3	Washer	360580	1	Bracket
50060	4	Screw			

©
©
©
©
©
©

© Indicates Change

RETAIN THIS INFORMATION FOR FUTURE REFERENCE

When ordering replacement parts, list: Part Number, Description, Model Number and Series Letter.
LINCOLN provides a Distributor Network that stocks equipment and replacement parts.