

**FlowMaster™ Rotary Driven Hydraulic Pump
Models 86259
Series "A"**

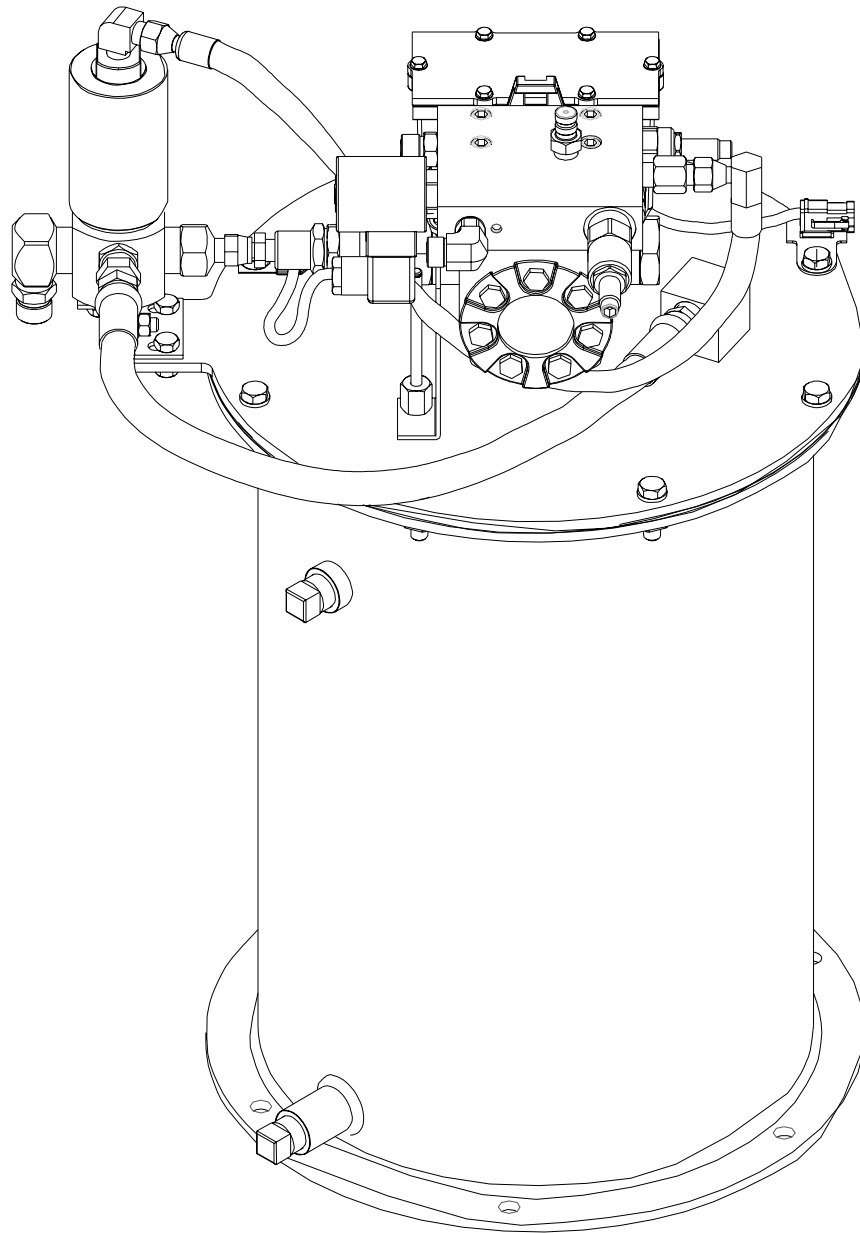


TABLE OF CONTENTS

	Page
Safety.....	2
Specifications.....	2
Description.....	2
System Operation.....	2
Installing the Pump.....	3
Putting Pump into Operation.....	3
Maintenance & Repair.....	3
Dimensions.....	6
Repair Parts List.....	7
Troubleshooting.....	8



Do not exceed 3,500 PSIG (241 bar) maximum supply inlet hydraulic pressure or 3500 PSIG (241 bar) maximum outlet pressure. Exceeding the rated pressures may result in damage to system components and personal injury.

DESCRIPTION

General Description

The Model 86259 is a pumping unit designed to operate a Centro-Matic® lubrication system. The unit includes a vent valve to relieve the line pressure to recharge the injectors. FlowMaster™ Rotary Driven Hydraulic Pump includes pressure reducing valve, flow control valve and solenoid operated (24 VDC) “On” and “Off” valve.

The FlowMaster pump is fully automatic when used with Model 85530 Controller and a pressure switch. The FlowMaster pump is double acting, dispensing lubricant on both the “Up” and “Down” strokes. This unit is designed to be used with SL-1, SL-11, SL-32 and SL33 series injectors or a combination of these.

Model 86259 includes a follower plate and low level indicator.

Appropriate Use

- The pump on this unit is exclusively designed to pump and dispense lubricants using hydraulic power only.
- The maximum specification ratings should not be exceeded.
- Any other use not in accordance with instructions will result in loss of claims for warranty and liability.

SYSTEM OPERATION

Operation with Model 85530 System Controller

When Model 85530 times out, it will initiate a lube cycle. The solenoid is energized to deliver hydraulic pressure to the pump and vent valve. Pump begins dispensing lubricant through injectors to the bearings.

When all bearings have received lubricant, pressure rises in the system to actuate the pressure switch. When pressure switch actuates, the control is reset to de-energize the solenoid valve cutting off hydraulic oil pressure to the pump and vent valve. Pump stops, pressure vents and pressure switch de-actuates. Control begins timing toward next lube event.

SAFETY

Read and carefully observe these operating instructions before unpacking and operating the pump! The pump must be operated, maintained and repaired exclusively by persons familiar with the operating instructions. Local safety regulations regarding installation, operation and maintenance must be followed.

Operate this pump only after safety instructions and this service manual are fully understood.



This symbol indicates a potentially hazardous situation which, if not avoided, could result in death or serious injury. Please refer to the 85481 operation manual, section C8, page 269, series “B” for all other safety considerations.

PRODUCT SPECIFICATIONS

Supply inlet hydraulic pressure, maximum, PSIG (bar) -	3,500 (241)©
Operating working hydraulic pressure, PSIG (bar) -	300 to 450 (21 to 31).
Max. output pressure, PSIG (bar) -	3500 (241)
Hydraulic inlet flow, GPM (l/min) -	Up to 7 (27)
Pump ratio with manifold -	9:1 at low inlet pressure (300 to 350 PSI [21 to 24 bar]) and low inlet flow (below 2 gpm [7.5 lpm]) Pump ratio approaches 11.0:1 ratio at higher inlet pressure and flow.
Ambient oper. temp. °F (°C) -	-20 to +150 (-29 to +66)
Operating voltage, VDC -	24
Hydraulic inlet port, In -	SAE 4 adapted to 6 ORFS
Tank return port, In -	SAE 6 adapted to 6 ORFS
Maximum hydraulic fluid temp., °F (°C) -	250 (121)
Weight, Lbs (Kg) -	160 (70)
Container capacity , Lbs (Kg) -	60 (27)

INSTALLING THE PUMP

Place the unit in the approximate location making sure that electric and hydraulic power connections are accessible. Mark center locations of the six holes at the bottom of the reservoir. Then drill six 1/2" (13 mm) holes. The use of 7/16" (11 mm) bolts will offer some flexibility in securing the reservoir to the equipment.

Lubricant outlet of pump should be connected to system with suitable hose capable of 3,500 PSI (241 bar) working pressure. Hydraulic inlet connection should be made with at least 3/8" (9 mm) I. D. hose capable of at least 3,000 PSI (207 bar) operating pressure. Hydraulic return to tank connection line should be 3/4" (19 mm) I. D. hose or pipe.

Please refer to the 85481 operation manual, section C8, page 269, series "B" for setting the pump pressure and flow control.

Low Level Kit

Low Level Kit is recommended whenever higher viscosity greases or lower temperatures are encountered and when an external indicator of lubricant level is desired. The kit is composed of a follower with wiper and a level indicator gage located on the cover of the reservoir.

PUTTING PUMP INTO OPERATION

Filling Reservoir

- To bulk fill the reservoir, remove the lower and upper pipe plugs from the side of the reservoir (see Figure 4). Attach the appropriate bulk-filling pump to the lower inlet (3/4 NPT). Fill reservoir until grease appears at the top 1/2 NPT vent high level port. Remove the bulk-filling pump. Replace both pipe plugs.



When filling the reservoir, caution should be used as extreme pressure can cause damage to the reservoir or serious personal injury.

MAINTENANCE & REPAIR

General Maintenance

- Keep area around pump clean. Clean off filling port area prior to filling reservoir. Clean area around filler after filling as lubricants will attract dirt.
- Keep lubricants clean and free of dirt and debris.
- When replacing grease pails be especially careful to prevent any foreign matter from entering the grease pail or contaminating the grease, as it adheres to the pump.

In Case of System Malfunction (See Trouble Shooting Chart Page 8)

- Use the **Trouble Shooting Charts** to determine where to look if problems occur.
- See the sections below for replacement and repair of specific areas of the check valve, vent valve or safety unloader valve.
- Each part is identified with a number keyed to the matching part on the illustrated views.
- General recommendations of tools required are also specified in each step.
- Pay particular attention to the **Warning** statements to prevent personal injury and possible damage to pump components.

Outlet Check Service (See Figures 1, 2, 7 & 8, Pages 5 & 6)

The pump will not build up sufficient lubricant pressure if the outlet check (47) is fouled. Foreign material may lodge beneath the Check Ball (25) or between check disc (21) and the seat of bushing assembly (22). Sealing surfaces of the seat must form a perfect seal. Clean parts or replace if pitted, worn or scored.

- Turn off and disconnect the hydraulic and electric power supply to the pump assembly.
- Standard tools required are a bench mounted vice, a set of open end wrenches ranging from 7/16" to 1-1/2", a large 24" (600 mm) adjustable wrench and a smaller 10" (254 mm) adjustable wrench.
- Remove bolts and lock washers (52 & 53).
- Loosen adapter union (48). Set vent valve assembly to the side.
- Remove entire outlet check assembly (47) by loosening adapter (46) from pump outlet.
- Remove adapter (46) from outlet check assembly (47).
- Remove outlet connector (26) from bushing (22).
- Remove ball check seat (23) from outlet connector (26).
- Inspect all check components (21, 22, 23, 25) for presence of foreign material, scoring and or other damage, which may cause internal leakage. Replace components if damage is found.
- If foreign material is present, clean components and reassemble. Be sure to always replace gaskets (20) & (24) whenever vent valve is disassembled. Reverse the above procedure to reassemble. Torque check assembly to 100 ft.-lbs. (13.5 N-M).

Vent Valve Service (See Figures 3, 7 & 8 Pages 5 & 6)

1. Turn off and disconnect the hydraulic and electrical power supply to the pump assembly.
2. Standard tools required are a bench mounted vice, a set of open end wrenches ranging from 7/16" to 1-1/2", a large 24" (600 mm) adjustable wrench and a smaller 10" (254 mm) adjustable wrench.
3. Remove delivery hose. Loosen Adapter Union (48) and Vent Hose (14).
4. Remove bolts and lock washers (52 & 53). Remove vent valve.
5. Hold base of vent valve in vice to remove elbows (12 & 15). Turn vent valve in vice so that vice jaws are gripping flats machined on base of vent valve.
6. Remove hydraulic cylinder (27). Remove piston and packing (28) from cylinder. If oil leakage was evident from side of hydraulic cylinder then replace packing.
7. Remove packing assembly (30). If grease leakage was evident from side of hydraulic cylinder, then replace packing assembly.
8. Inspect needle (29) and valve seat (31). If foreign matter is lodged and is keeping the needle from sealing in valve seat, clean and inspect for damage. If seat appears damaged by nicks, grooves or scouring it should be replaced. Remove valve seat (31) from valve body (33) by placing a 3/4" open end wrench onto the flats and loosening the seat. The use of an adjustable wrench in place of the open end wrench may be necessary due to the accessibility of the seat.
9. Replace the valve seat (31) if damaged. Also be sure to remove and replace the gasket (32) below the seat.
10. Reassembly is the reverse of the above procedure. Needle (29) and hydraulic cylinder (27) inside diameter should be coated with oil or grease to assist in assembly.
11. Upon reassembly tighten valve seat (31) into body (33) using 25 ft-lbs. (39 N-M). Tighten hydraulic cylinder (27) onto valve body (33) using 100 ft-lbs. (135 N-M)

Follower (see Figures 4, 5 & 6 Page 5)

If follower wiper appears to be damaged or does not wipe the sides of the container effectively service may be necessary.

1. Disconnect hydraulic supply from pump.
2. Remove the eight bolts (39) and lock washers (40) which attach the cover to the reservoir.
3. Lift the entire pump, vent valve, cover assembly and follower out of the reservoir.
4. Unscrew the low level indicator (3) from the follower plate (50).
5. Now remove the entire follower assembly from the pump tube. After removing the follower assembly from the pump tube wipe off the excess grease which will allow clean access to the eight bolts that must be removed.

6. Loosen and remove the eight nuts (62) on top of the follower.
7. Remove the follower weight and the wiper (60). Replace the wiper with a new one.
8. Reassemble in the reverse of the above procedure making sure that the long bolts are staggered with the small ones and that they extend below the follower.

Low Level Indicator (see Figure 4 & 5 Page 5)

If the indicator pin appears to drop prematurely or water is noticeable on top of the follower then the indicator seal (1) may be damaged.

1. Remove the eight bolts (39) and lockwashers (40) which hold the cover on to the reservoir.
2. Inspect the reservoir gasket seal (41) for damage. If damage is apparent then replace the gasket seal.
3. Remove the entire pump, vent valve and follower assembly from the reservoir.
4. Remove the retaining ring (56) from the indicator rod assembly (3).
5. Hold the indicator plug (4) with a wrench while removing the indicator nut (2).
6. Remove and replace the O-ring (1).
7. Reassemble in the reverse of the above procedure. Torque the indicator nut (2) to 20 ft.-lbs.

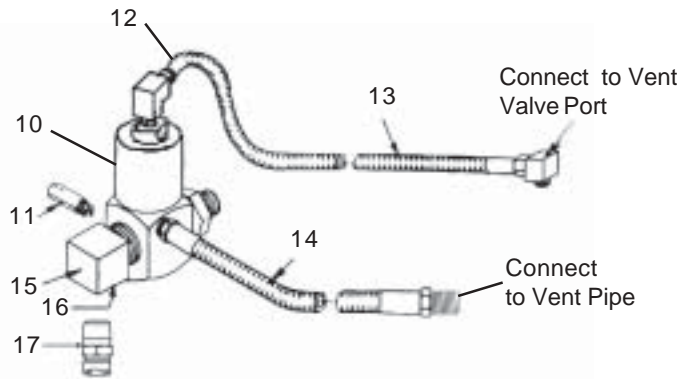
Safety Unloader Valve (See Figure 1 Page 5)

Safety unloader valve (11) is not serviceable and should be replaced if malfunction is apparent. Upon reassembly, tighten to 10 ft-lbs. (13.5 N-M).

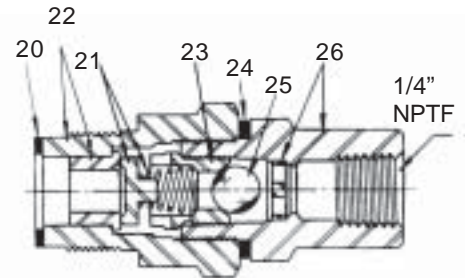
The Safety Unloader (11) is set to open at 3,750 to 4,250 PSI lubricant pressure. If pressure Switch fails to operate and shut off hydraulic supply to pump, the Safety Unloader will open at approximately 4,000 PSI to relieve lubricant supply line pressure (Safety Unloader is preset and cannot be adjusted.)

Bare Pump Assembly (See Figure 4 Page 5)

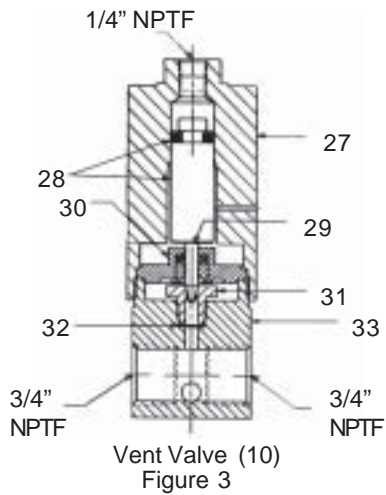
Please refer to the Operation Manual (C8, Page 269 series) for the bare pump assembly (34).



Vent Assembly
Figure 1



Outlet Check Assembly (47)
Figure 2



Vent Valve (10)
Figure 3

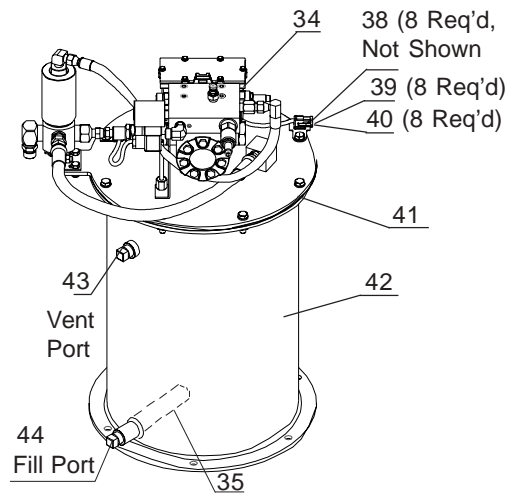
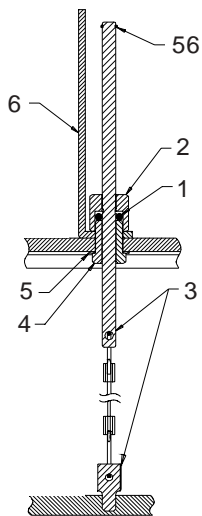
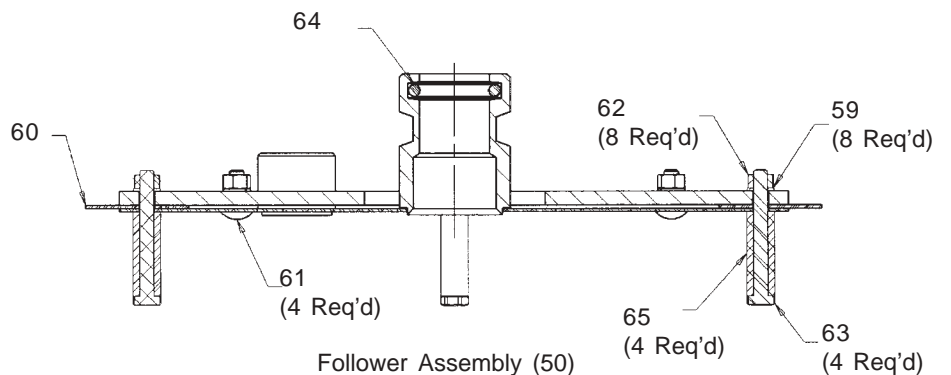


Figure 4



Low Level
Figure 5



Follower Assembly (50)
Figure 6

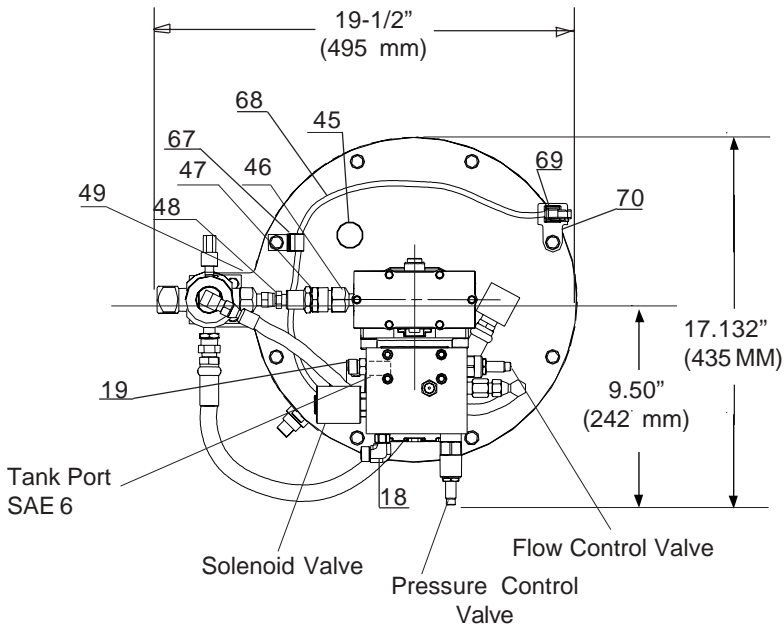
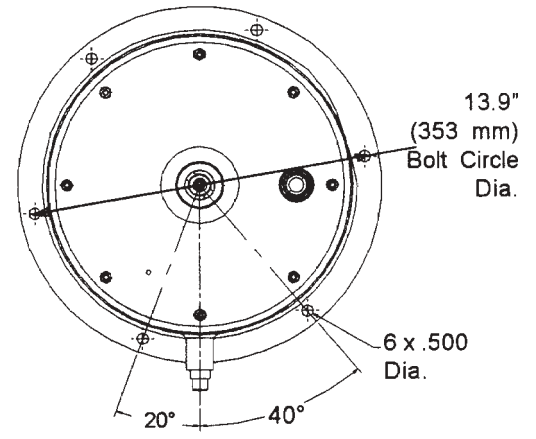


Figure 7



**A-A
Figure 9**

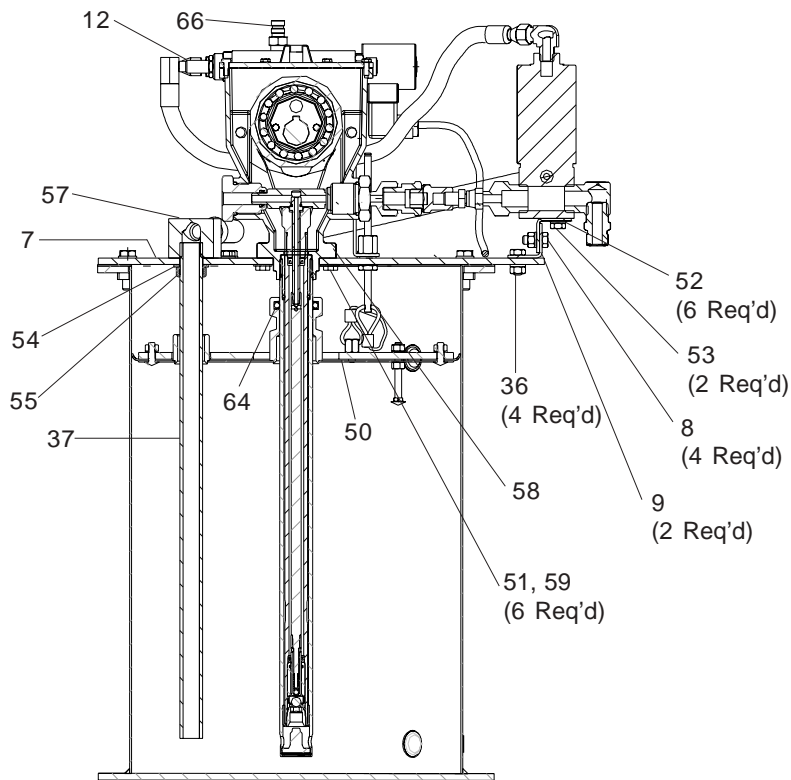
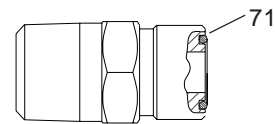
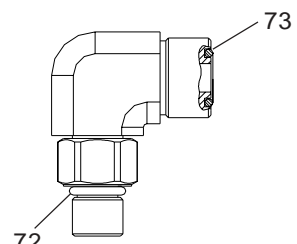


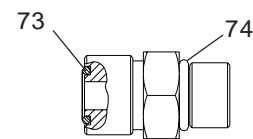
Figure 8



**Item 17
Figure 10**



**Item 18
Figure 11**



**Item 19
Figure 12**

SERVICE PARTS

Item No.	Qty.	Description	Model 84050
1	1	O-Ring	*249532
2	1	Indicator Nut	16352
3	1	Cable Assembly	249762
4	1	Indicator Plug	249357
5	1	Washer	48548
6	1	Indicator Bracket	361020
7	1	Drum Cover	241085
8	4	Bolts	50016
9	2	Bracket	270723
10	1	Vent Valve Assembly	84980
11	1	Safety Unloader Ass'y	*90942
12	1	Elbow	20012
13	1	Hydraulic Hose	271598
14	1	Vent Hose	270726
15	1	Elbow	10160
16	2	Nipple	11197
17	1	Connector	271452
18	1	Elbow Adaptor	271454
19	1	Connector	271457
20	1	Gasket	*31029
21	1	Pump Check Disc Ass'y	+*80206
22	1	Outlet Check Bushing	+*90204
23	1	Ball Check Seat	*10313
24	1	Gasket	*31001
25	1	Steel ball (3/8" Dia.)	*66001
26	1	Outlet Connector	+90860
27	1	Hydraulic Cylinder	241807
28	1	Piston	+*244673
29	1	Needle	*14722
30	1	Viton Packing Ass'y	+*239330
31	1	Valve Seat	*14723
32	1	Check Seat gasket	*31047
33	1	Valve Body	239336
34	1	Bare Pump Assembly	85481
35	1	Extension Tube	249356
36	4	Hex Nut	51026
37	1	Vent pipe	67420

Item No.	Qty.	Description	Model 84050
38	8	Wing Screws (not shown)	252727
39	8	Bolt	50015
40	8	Lock Washer	66220
41	1	Gasket	*249355
42	1	Container Assembly	242765
43	1	Pipe Plug, Vent	67117
44	1	Pipe Plug, Fill	67224
45	1	Vent Fitting	249354
46	1	Adapter	12213
47	1	Outlet Check Assembly	81938
48	1	Adapter Union	66645
49	1	Reducer Nipple	14727
50	1	Follower Assembly	272999©
51	4	Screw	50169
52	6	Lock Washer	66246
53	2	Bolt	50034
54	1	Gasket	*31010
55	1	Nut	12538
56	1	Retaining Ring	*68888
57	1	Elbow	249533
58	1	Gasket	33152
59	12	Lockwasher	66186
60	1	Wiper (Nitrile)	*249331
61	4	Carriage Bolt (Short)	249332
62	8	Nut	51304
63	4	Bolt (Long)	50084
64	1	O-Ring	270720
65	4	Spacer	249833
66	1	Nipple	271459
67	1	J-Clamp	68511
68	34"	Wire (18 gage)	271463
69	1	Plug	271461
70	1	Plug Clip	271462
71	1	O-Ring	*271453
72	1	O-Ring	*271455
73	1	O-Ring	*271460
74	1	O-Ring	*271458

* Suggested service replacement component
 + Sold as an assembly. Individual parts not available.

* Suggested service replacement components

© Indicates change

MODELS 85487 & 86258 TROUBLESHOOTING

CONDITION	POSSIBLE CAUSE	CORRECTIVE ACTION
Pump does not operate.	No hydraulic power to pump.	Turn on or connect hydraulic supply to pump.
	No pressure on gauge: - Closed Supply line shut off valve. - No power to solenoid valve. - Faulty Solenoid. - Pressure Reducing Valve is set too low. - Insufficient Hydraulic Fluid supply.	Open shut-off valve. Correct electrical fault. Replace solenoid. Reset Pressure Reducing Valve. Check hydraulic supply for proper pressure and flow.
	Pressure is shown on gauge on pump manifold. - Closed fluid outlet line. - Flow Control Valve is fully closed. - Pump is stalled due to grease backpressure.	Check outlet line and clear obstructions. Readjust flow control valve to 1 turn open. Check vent valve in system.
Pump runs excessively.	Pump tube malfunction.	Dismantle the pump and repair defective or seized component. See pump service page.
	Outlet check damage or contamination.	Refer to pump service page.
	Vent valve damage or contamination.	Repair check or remove contamination.
	System component leaking.	Repair vent valve or remove contamination.
	Vent valve not receiving proper pressure to keep it closed.	Repair leaks.
	Injector bypassing.	Orifice fitting plugged.
Pump speeds up or runs erratically.	Low level of grease or reservoir is empty.	Repair injectors.
	Refill reservoir.	
	Follower plate is stuck and separated from grease.	Check follower plate and container for damage.
Pump runs, but output is low.	Pump piston or checks are worn.	Refer to pump service sheet.
	Insufficient hydraulic fluid supply.	Check hydraulic supply and adjust flow.
	Inlet pressure too low.	Increase pressure at pressure control valve.
Lubricant leaking from safety unloader valve.	Faulty inlet or discharge check valve in pump.	Replace faulty components. See pump service page.
	Pressure of system set too high. Safety unloader damaged or contaminated.	Adjust pressure switch setting. Replace safety unloader.
Lubricant leaking from weep hole in vent valve.	Vent valve lubricant seal damaged.	Replace lubricant seal.

Americas:
 One Lincoln Way
 St. Louis, MO 63120-1578
 USA
 Phone +1.314.679.4200
 Fax +1.800.424.5359

Europe/Africa:
 Heinrich-Hertz-Str 2-8
 D-69183 Walldorf
 Germany
 Phone +49.6227.33.0
 Fax +49.6227.33.259

Asia/Pacific:
 25 Int'l Business Park
 #01-65 German Centre
 Singapore 609916
 Phone +65.562.7960
 Fax +65.562.9967



© Copyright 1999
 Printed in USA
 Web site:
 www.lincolnindustrial.com