

SPECIFICATIONS

Electrical:	115 VAC @ .18 Amps.
Operating pressure:	5000 PSI
Proof Pressure:	7540 PSI
Materials:	Manifold & Valve: Steel Seals: Polyurethane
Ports:	SAE-8 O-Ring ports (.750-16UNF)

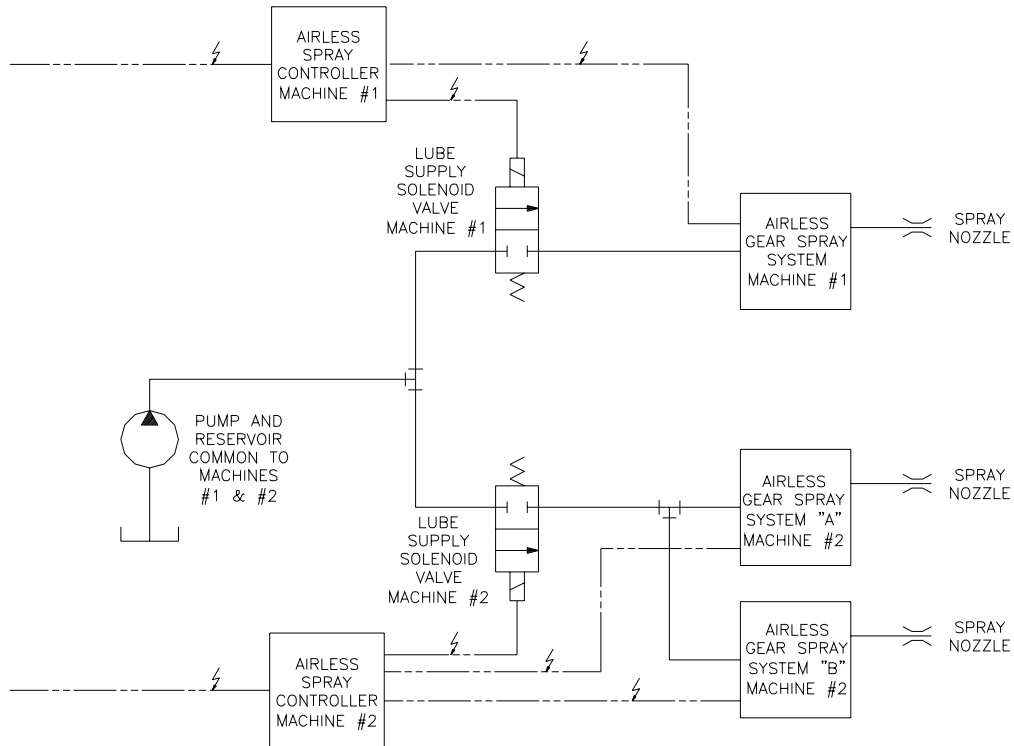
The 272285 fluid solenoid valve is used to isolate each airless spray system from the pump and lubricant supply header, which will be under pressure at all times. This valve will allow each system to operate independently, regardless of the state of operation of the other airless spray systems connected to the pump and header system.

DESCRIPTION

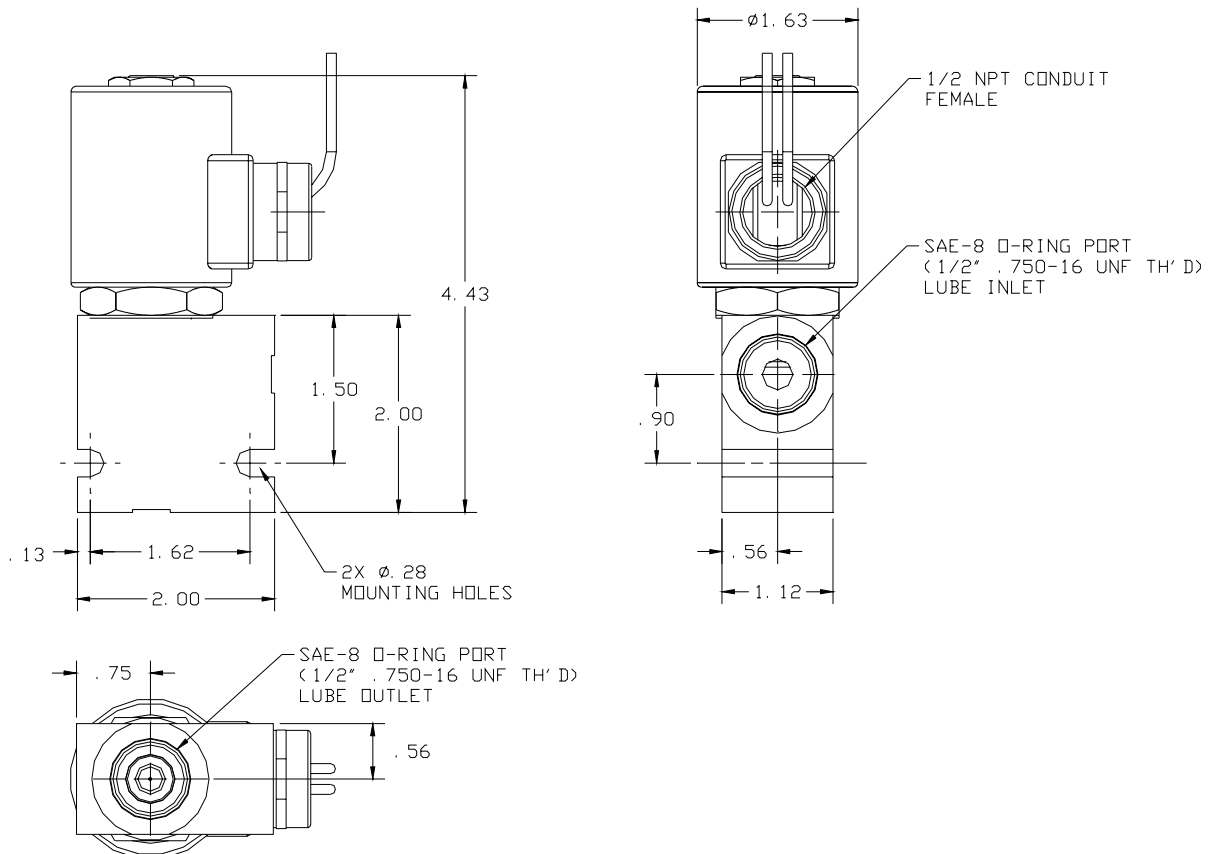
Model 272285 (See schematic, below) is a 2-way fluid solenoid valve for use with the Airless Gear Spray lubrication systems. This valve is intended for use as a lubricant supply valve in applications where one common pump is used to supply lubricant to two or more airless spray systems which are operating from two or more controllers.

An example where this valve may be used might be where an airless spray system is installed on two machines which will be operated independently from each other, but where it is desirable to use one pump to supply a common lubricant to each machine. A Model 272285 fluid solenoid valve and airless spray controller will be required for each machine.

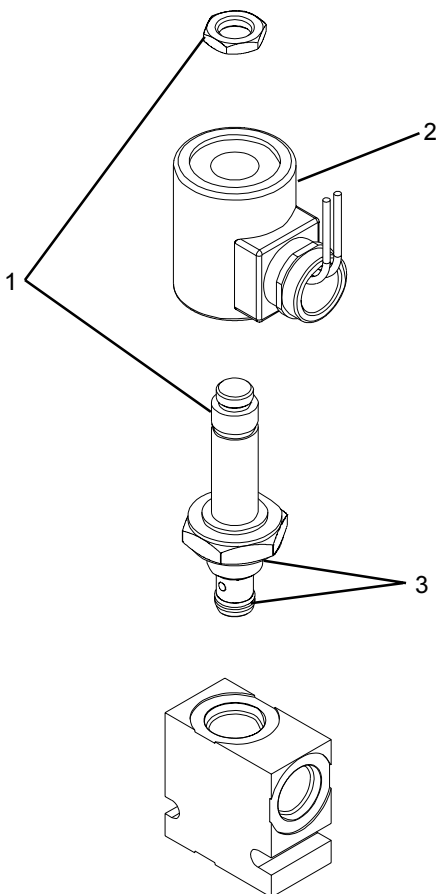
2-WAY FLUID SOLENOID VALVE, 115 VAC MODEL 272285



TYPICAL SCHEMATIC DIAGRAM



2-WAY FLUID SOLENOID VALVE, 115 VAC MODEL 272285



SERVICE PARTS

Item	Qty	Description	Part No.
1	1	Solenoid Valve Cartridge	272283
2	1	Solenoid Coil (115 VAC)	270904
3	1	Seal Kit	270899

Installation

Lincoln recommends that each solenoid valve is installed close to the airless spray valve which it is to supply. Mount the valve body to a suitable mounting surface.

Do not connect the 272285 solenoid valve directly to an airless spray system. Use an 18" - 24" length of 1/2" ID high pressure hose between the 272285 valve and the airless spray system.

The use of a longer length of hose may result in short cycling of the solenoid valve delaying the ready state of the airless spray system. A direct connection of the valve to the airless spray system will result in the repeated opening of the system pressure relief valve.

Make lubricant connections per the indications on the illustration. The solenoid coil is connected to the pump terminals in the airless spray system controller.

**2-WAY FLUID SOLENOID VALVE, 115 VAC
MODEL 272285**



Americas:
One Lincoln Way
St. Louis, MO 63120-1578
USA
Phone +1.314.679.4200
Fax +1.800.424.5359

Europe/Africa:
Heinrich-Hertz-Str 2-8
D-69183 Walldorf
Germany
Phone +49.6227.33.0
Fax +49.6227.33.259

Asia/Pacific:
25 Int'l Business Park
#01-65 German Centre
Singapore 609916
Phone +65.562.7960
Fax +65.562.9967

© Copyright 2002
Printed in USA

Web site:
www.lincolnindustrial.com