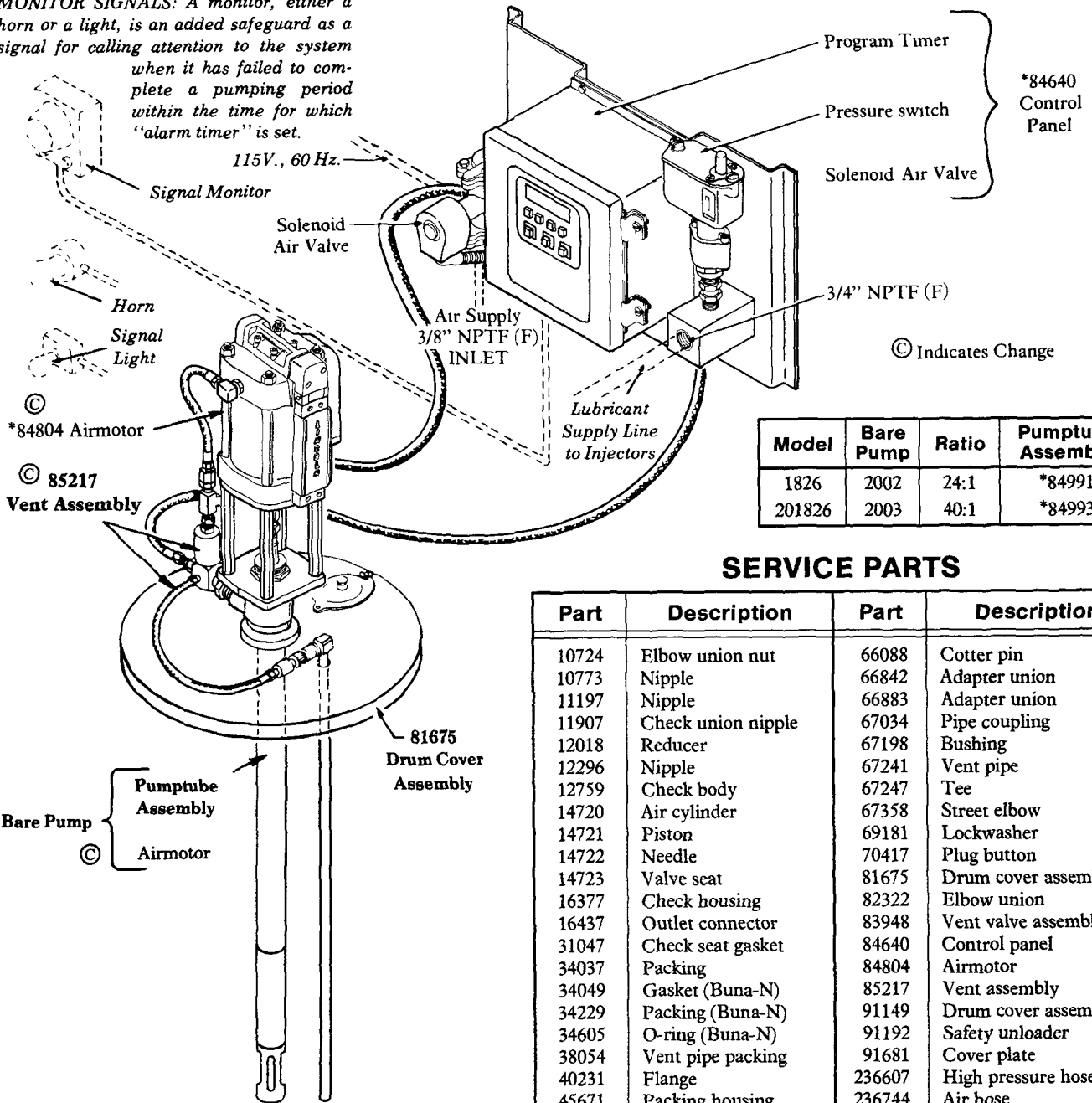


**AIR OPERATED - 400 LB. DRUM SIZE
LOW PRESSURE, 850 PSI SYSTEM**

MONITOR SIGNALS: A monitor, either a horn or a light, is an added safeguard as a signal for calling attention to the system when it has failed to complete a pumping period within the time for which "alarm timer" is set.



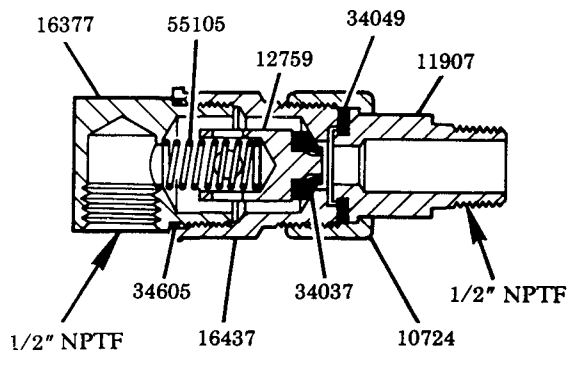
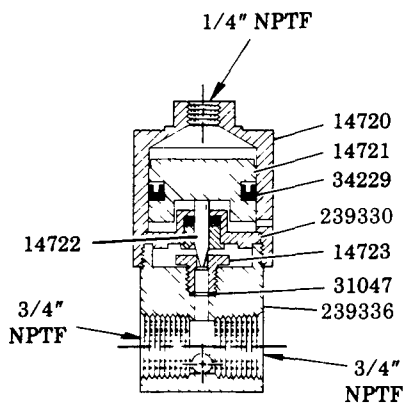
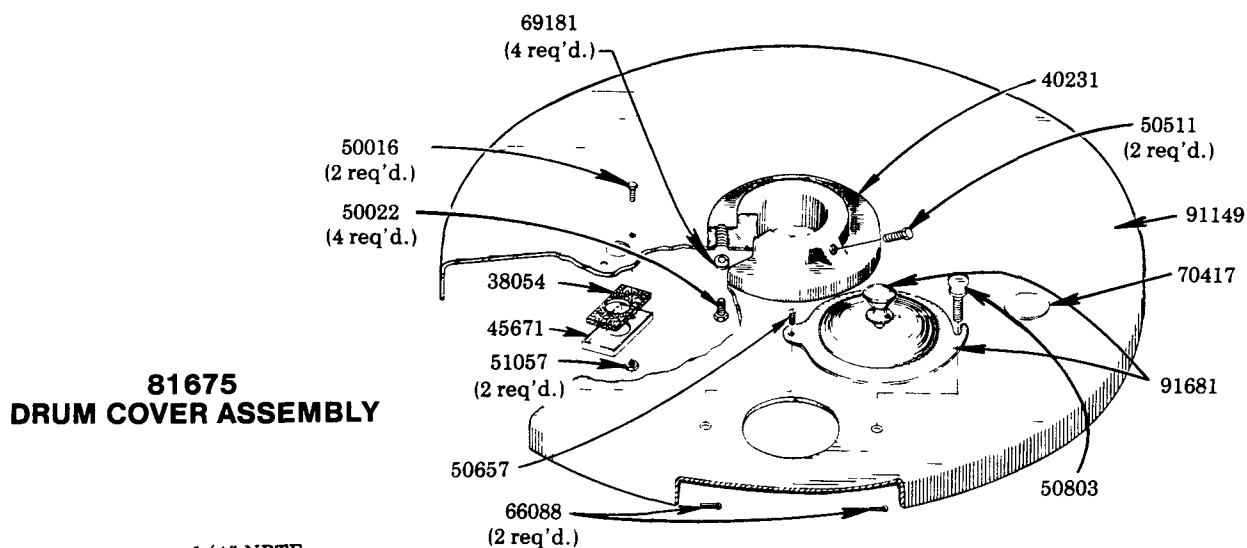
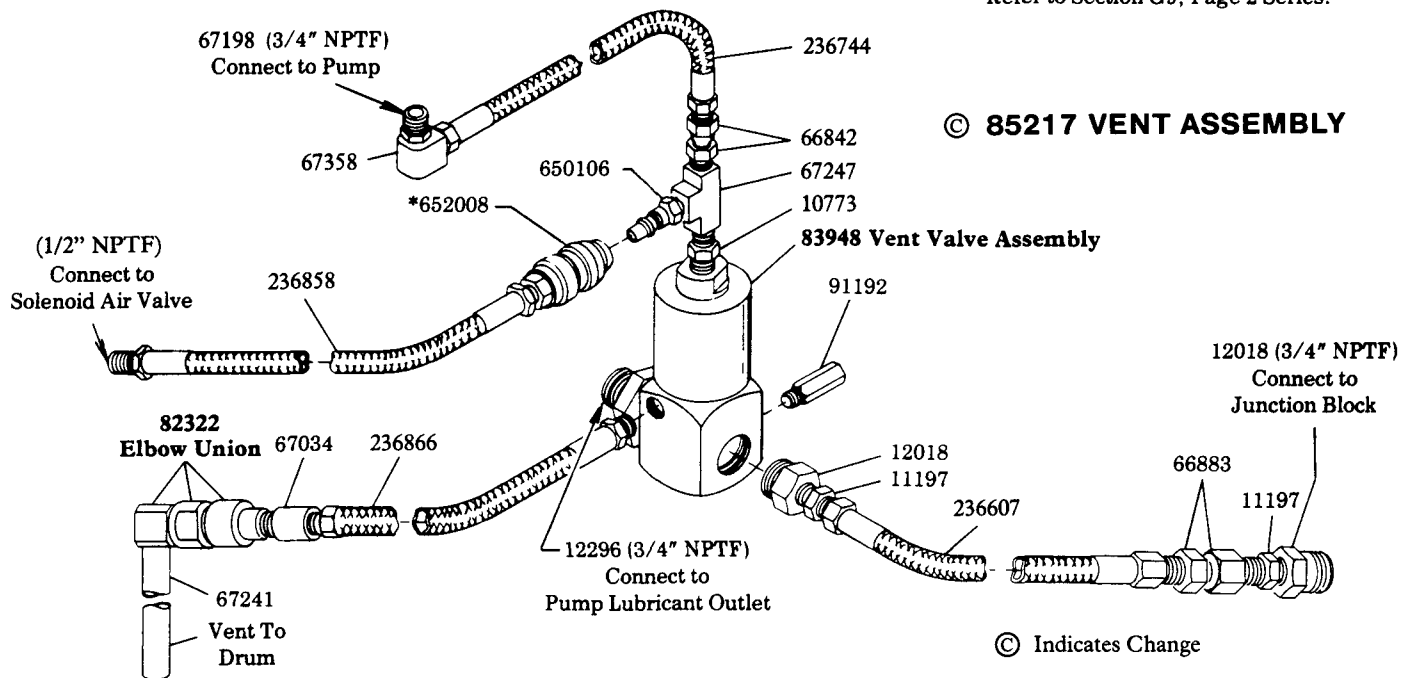
Model	Bare Pump	Ratio	Pumptube Assembly
1826	2002	24:1	*84991
201826	2003	40:1	*84993

SERVICE PARTS

Part	Description	Part	Description
10724	Elbow union nut	66088	Cotter pin
10773	Nipple	66842	Adapter union
11197	Nipple	66883	Adapter union
11907	Check union nipple	67034	Pipe coupling
12018	Reducer	67198	Bushing
12296	Nipple	67241	Vent pipe
12759	Check body	67247	Tee
14720	Air cylinder	67358	Street elbow
14721	Piston	69181	Lockwasher
14722	Needle	70417	Plug button
14723	Valve seat	81675	Drum cover assembly
16377	Check housing	82322	Elbow union
16437	Outlet connector	83948	Vent valve assembly
31047	Check seat gasket	84640	Control panel
34037	Packing	84804	Airmotor
34049	Gasket (Buna-N)	85217	Vent assembly
34229	Packing (Buna-N)	91149	Drum cover assembly
34605	O-ring (Buna-N)	91192	Safety unloader
38054	Vent pipe packing	91681	Cover plate
40231	Flange	236607	High pressure hose
45671	Packing housing	236744	Air hose
50016	Screw	236858	Air hose
50022	Screw	236866	Volume hose
50511	Set screw	239330	Viton packing assembly
50657	Stove bolt	239336	Valve body
50803	Thumb screw	650106	Coupler nipple
51057	Housing nut	652008	Air coupler
55105	Spring		

- *84640 Control Panel - Refer to Section C8, Page 223 Series.
- *84804 Airmotor - Refer to Section A50, Page 78 Series.
- *84991 Pumptube Assembly - Refer to Section A50, Page 82 Series.
- *84993 Pumptube Assembly - Refer to Section A50, Page 82 Series.

*652008 Air Coupler
Refer to Section G9, Page 2 Series.



RETAIN THIS INFORMATION FOR FUTURE REFERENCE

When ordering replacement parts, list: Part Number, Description, Model Number, and Series Letter.

LINCOLN provides a Distributor Network that stocks equipment and replacement parts.