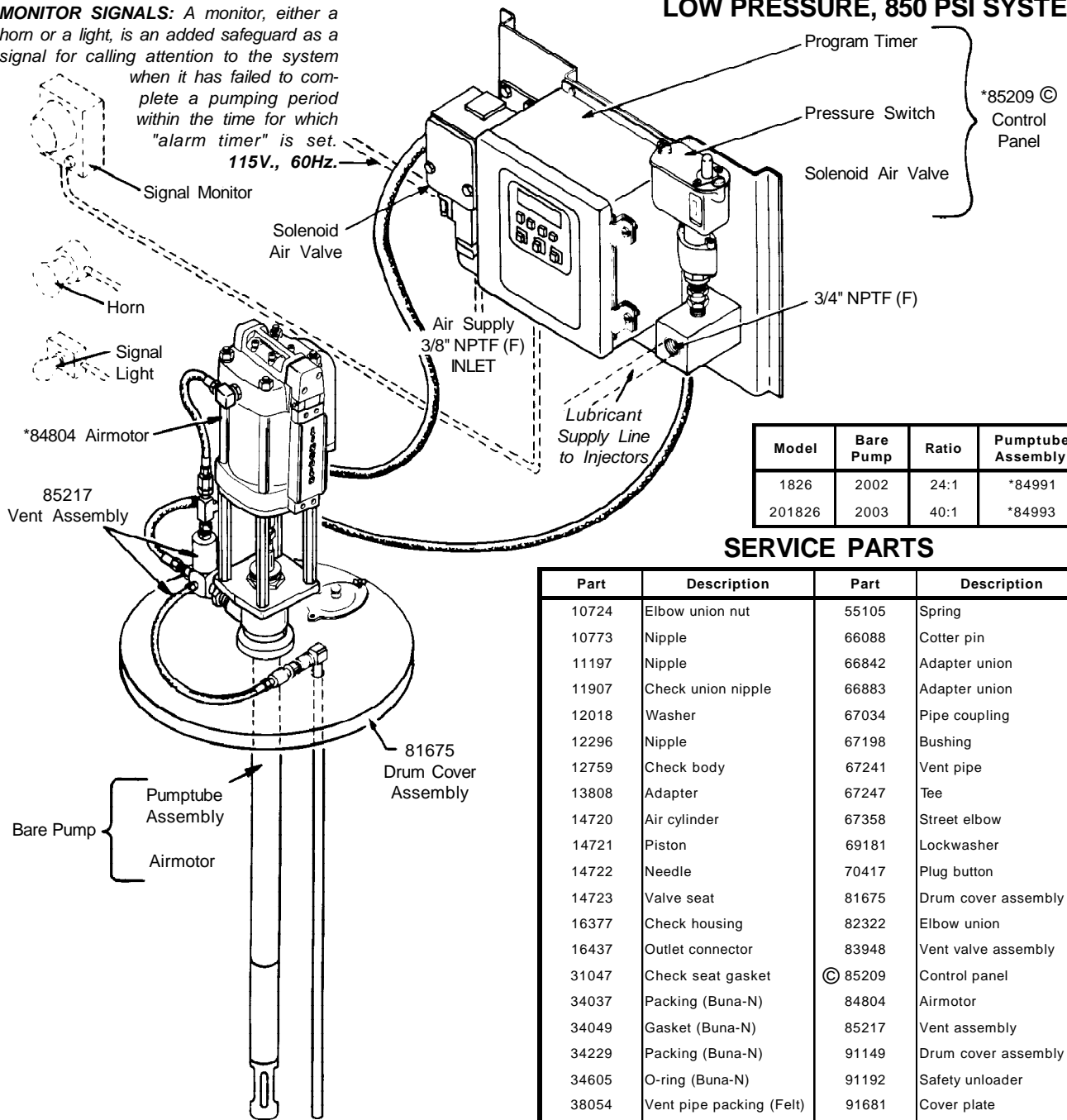


AIR OPERATED - 400 LB. DRUM SIZE
LOW PRESSURE, 850 PSI SYSTEM

MONITOR SIGNALS: A monitor, either a horn or a light, is an added safeguard as a signal for calling attention to the system when it has failed to complete a pumping period within the time for which "alarm timer" is set. **115V., 60Hz.**



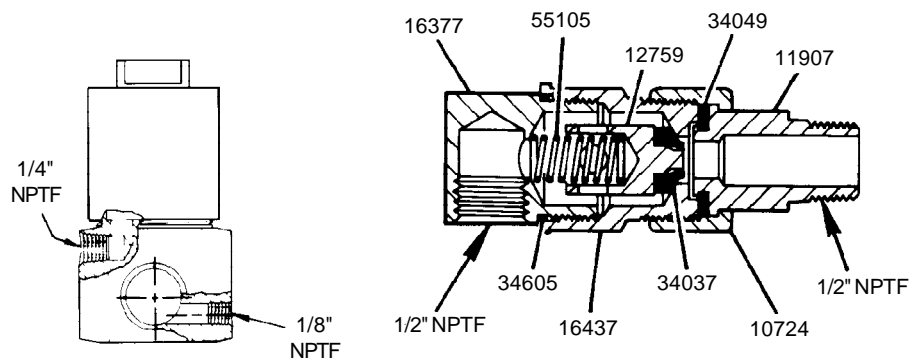
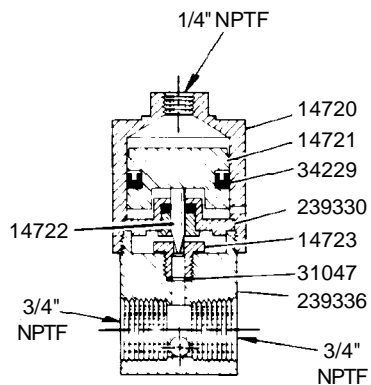
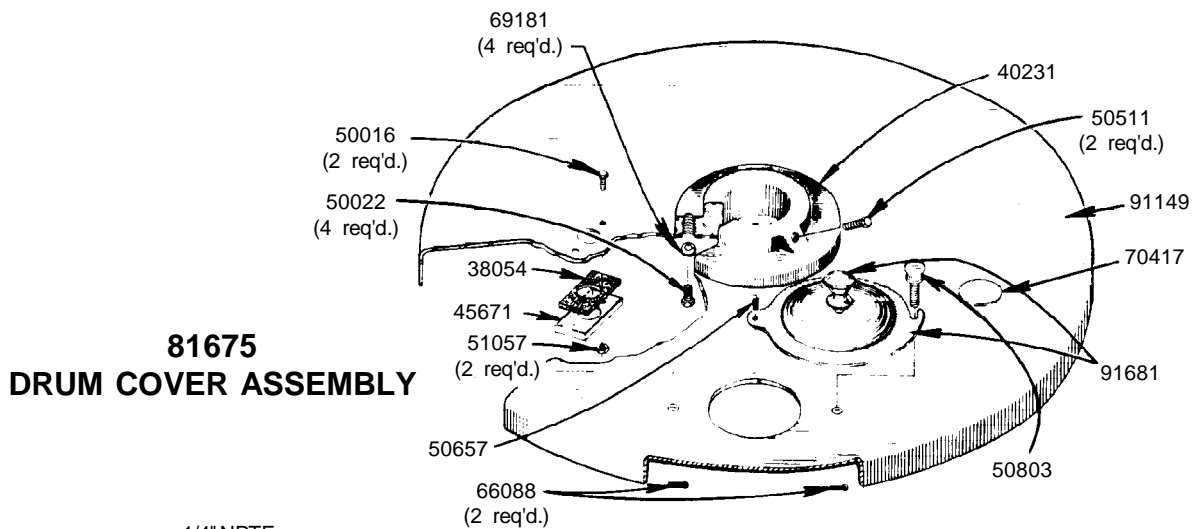
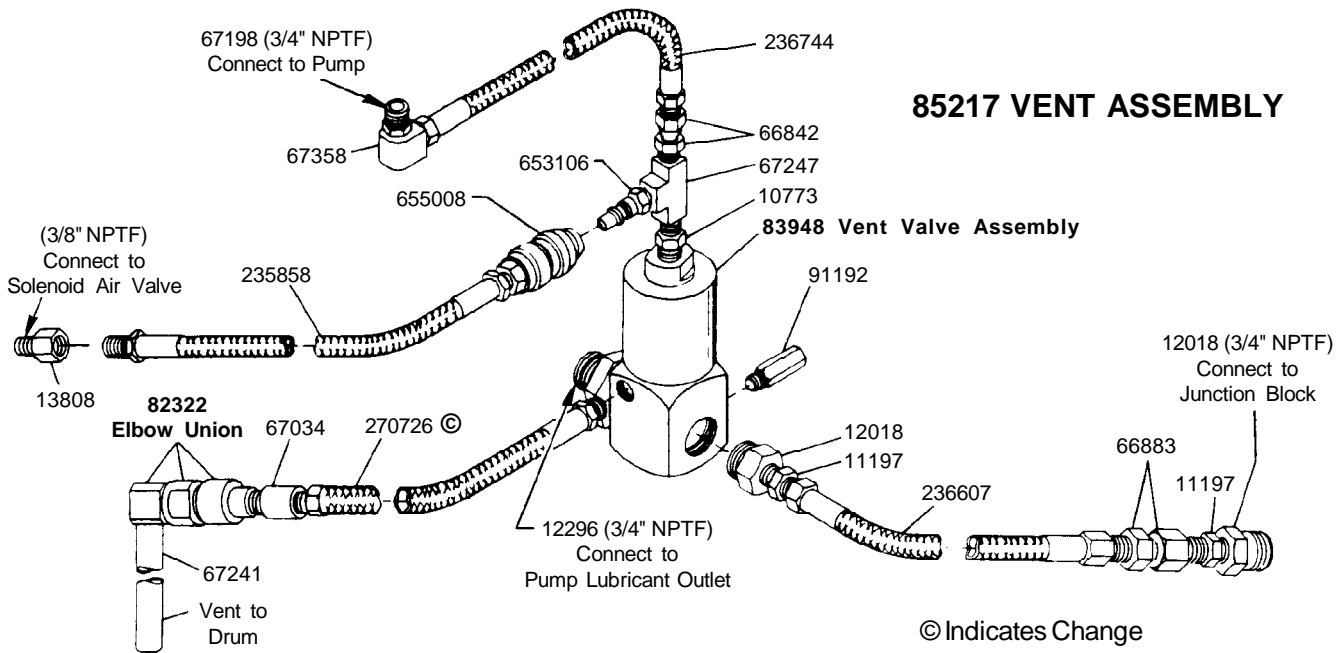
| Model | Bare Pump | Ratio | Pumptube Assembly |
|--------|-----------|-------|-------------------|
| 1826 | 2002 | 24:1 | *84991 |
| 201826 | 2003 | 40:1 | *84993 |

SERVICE PARTS

| Part | Description | Part | Description |
|-------|--------------------------|----------|------------------------|
| 10724 | Elbow union nut | 55105 | Spring |
| 10773 | Nipple | 66088 | Cotter pin |
| 11197 | Nipple | 66842 | Adapter union |
| 11907 | Check union nipple | 66883 | Adapter union |
| 12018 | Washer | 67034 | Pipe coupling |
| 12296 | Nipple | 67198 | Bushing |
| 12759 | Check body | 67241 | Vent pipe |
| 13808 | Adapter | 67247 | Tee |
| 14720 | Air cylinder | 67358 | Street elbow |
| 14721 | Piston | 69181 | Lockwasher |
| 14722 | Needle | 70417 | Plug button |
| 14723 | Valve seat | 81675 | Drum cover assembly |
| 16377 | Check housing | 82322 | Elbow union |
| 16437 | Outlet connector | 83948 | Vent valve assembly |
| 31047 | Check seat gasket | © 85209 | Control panel |
| 34037 | Packing (Buna-N) | 84804 | Airtmotor |
| 34049 | Gasket (Buna-N) | 85217 | Vent assembly |
| 34229 | Packing (Buna-N) | 91149 | Drum cover assembly |
| 34605 | O-ring (Buna-N) | 91192 | Safety unloader |
| 38054 | Vent pipe packing (Felt) | 91681 | Cover plate |
| 40231 | Flange | 236607 | High pressure hose |
| 45671 | Packing housing | 236744 | Air hose |
| 50016 | Screw | 236858 | Air hose |
| 50022 | Screw | © 270726 | Volume hose |
| 50511 | Set screw | 239330 | Viton packing assembly |
| 50657 | Stove bolt | 239336 | Valve body |
| 50803 | Thumb screw | 653106 | Coupler nipple |
| 51057 | Housing nut | 655008 | Air coupler |

- ©
- *85209 Control Panel - Refer to Section C8, Page 262 Series.
- *84804 Airtmotor - Refer to Section A50, Page 78 Series.
- *84991 Pumptide Assembly - Refer to Section A50, Page 82 Series.
- *84993 Pumptide Assembly - Refer to Section A50, Page 82 Series.

© Indicates Change



RETAIN THIS INFORMATION FOR FUTURE REFERENCE

When ordering replacement parts, list: Part Number, Description, Model Number and Series Letter.
LINCOLN provides a Distributor Network that stocks equipment and replacement parts.