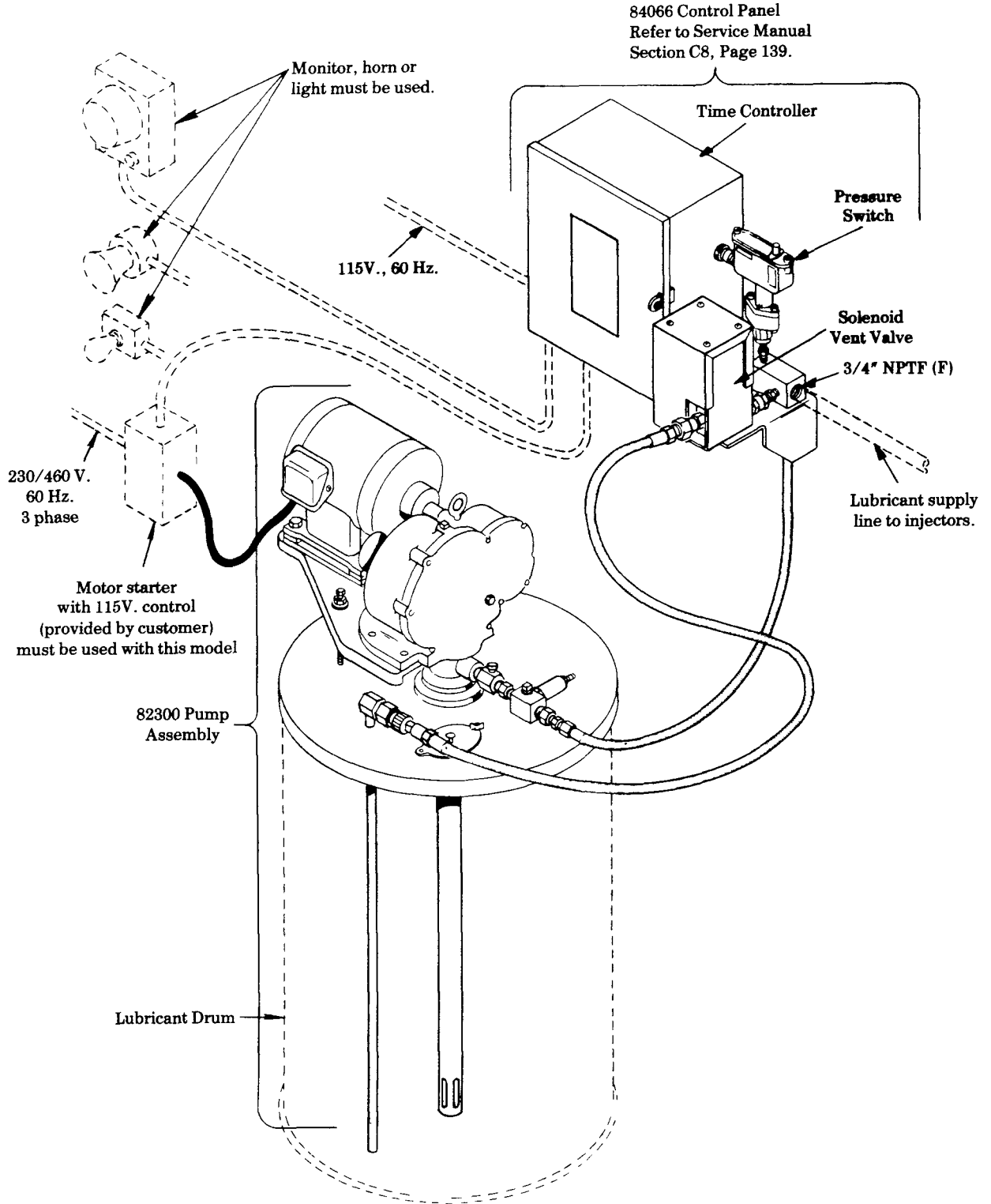


# CENTRO-MATIC DRUM PUMP

ELECTRIC MOTOR OPERATED, 400 LB. DRUM SIZE  
LOW PRESSURE - 850 PSI SYSTEM



# Model 1836



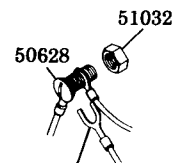
**LINCOLN ST. LOUIS**  
4010 GOODFELLOW BLVD · ST. LOUIS, MO 63120 · (314) 383 5900

A DIVISION OF  
**McNEIL**  
CORPORATION

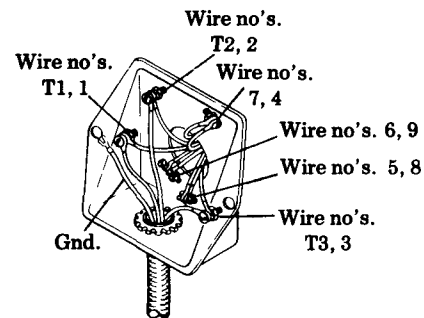
SECTION **-C8**  
PAGE **-38F**

**82300 ELECTRIC DRUM PUMP**

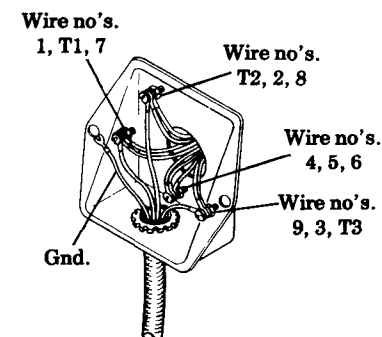
**Series "F"**



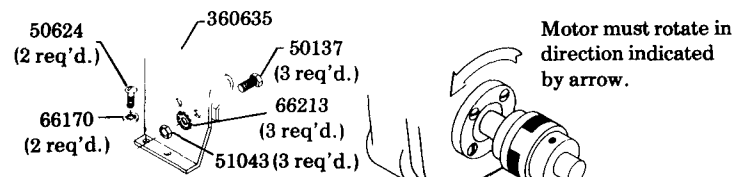
68316 (8 req'd.)  
Use on wires tagged  
T1, T2, T3 and Gnd.



**MOTOR CONNECTION**  
for 460 Volts

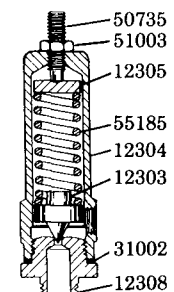


**MOTOR CONNECTION**  
for 230 Volts

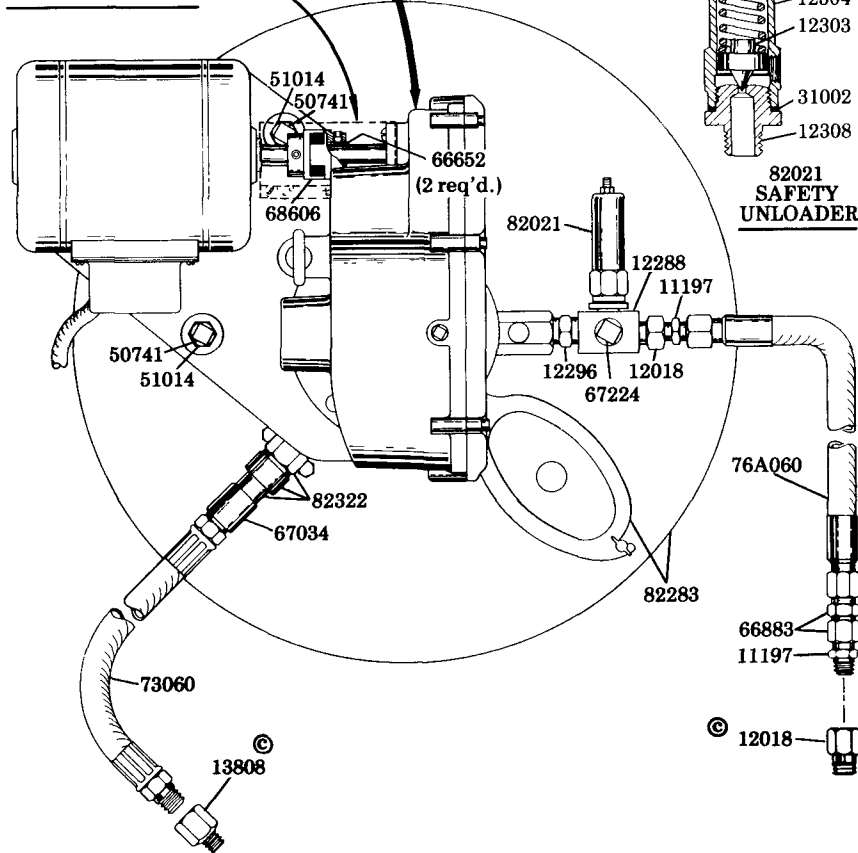


© **GUARD ASSEMBLY**

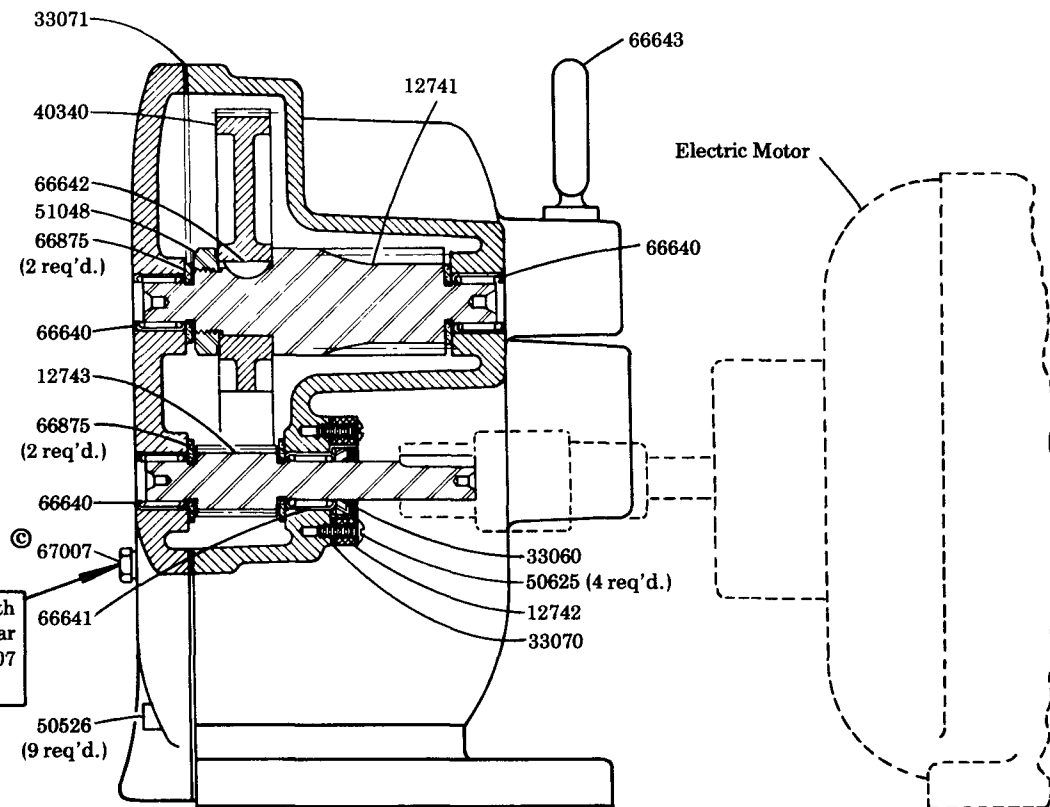
Motor must rotate in  
direction indicated  
by arrow.



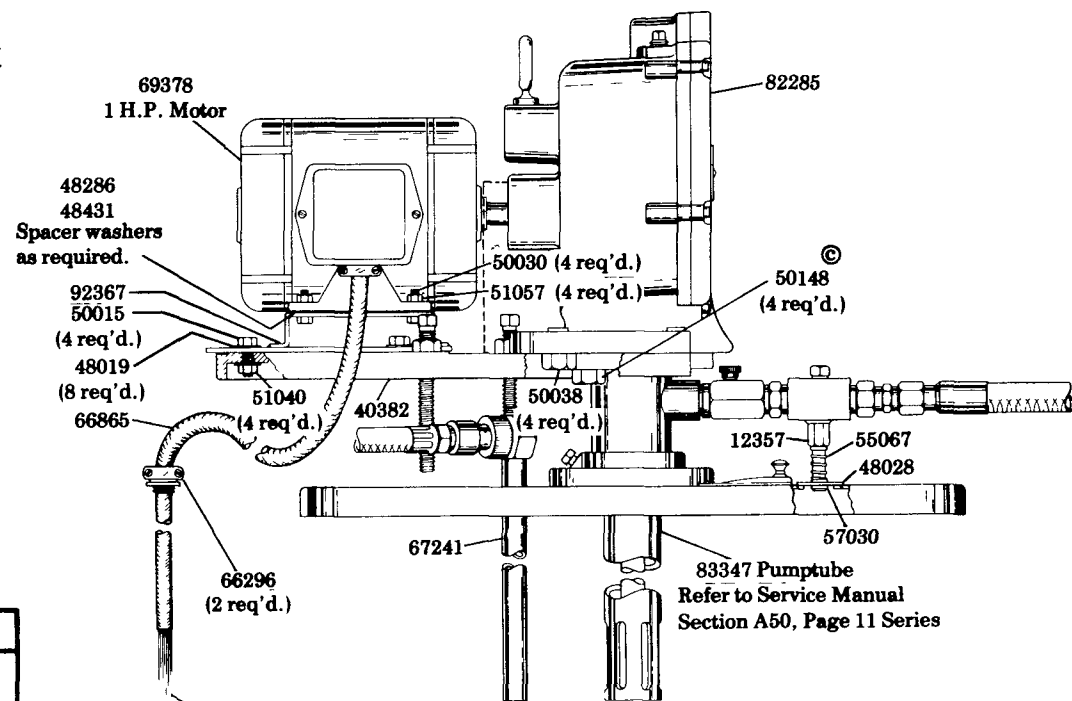
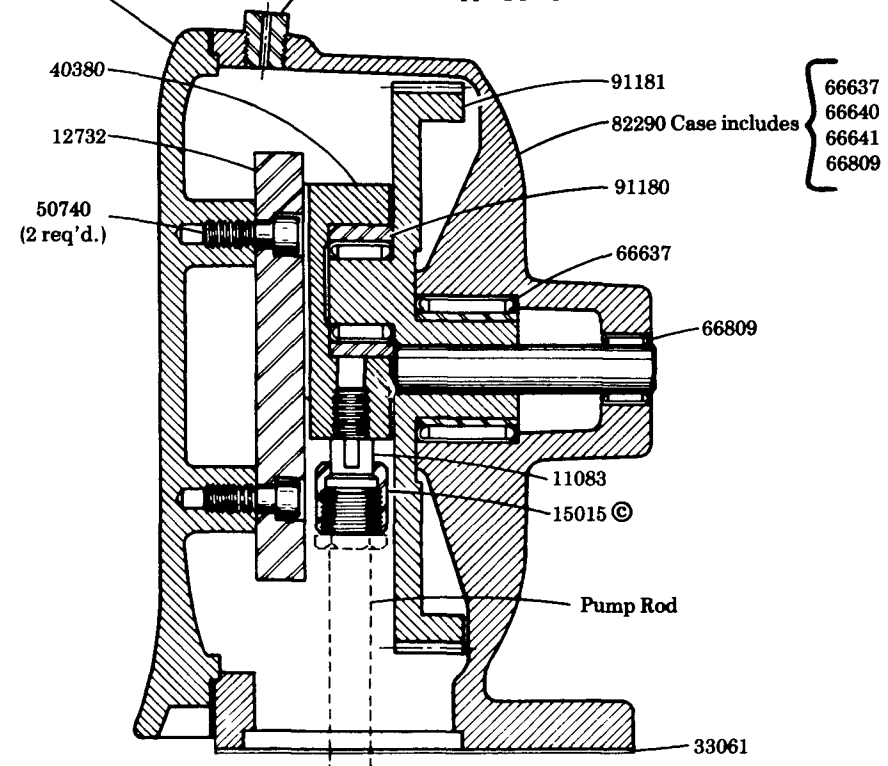
**82021**  
SAFETY  
UNLOADER



Fill gear case with  
S.A.E. 80 wt. gear  
lubricant to 67007  
oil level plug.



82291 Cover  
(includes two 66640 Bearings)  
67293 Replaced with  
67044 for shipping purposes.



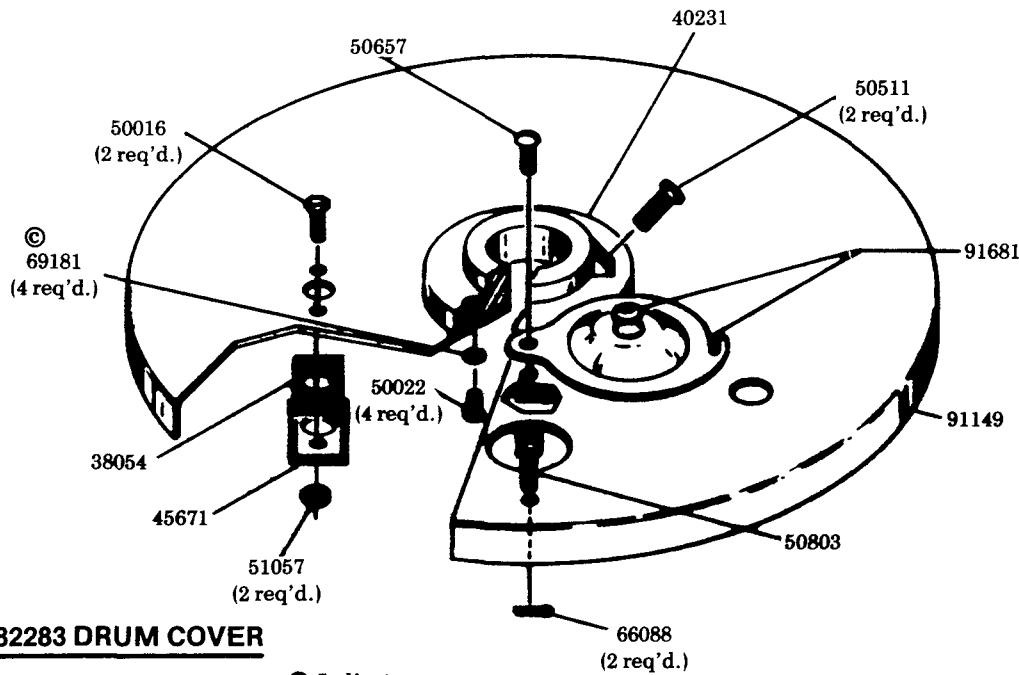
**COLOR CODE**

Tag No.	Color
1	Black
2	White
3	Red
Gnd	Green

Tags T1, T2, T3 & Gnd.  
placed on ends of wires  
for identification.

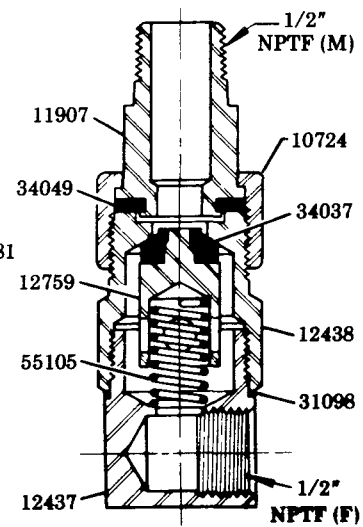
© Indicates  
Change

**82285 Power Unit**



**82283 DRUM COVER**

© Indicates Change



**82322 ELBOW UNION**

**SERVICE PARTS**

PART	QUAN.	DESCRIPTION	PART	QUAN.	DESCRIPTION	PART	QUAN.	DESCRIPTION
10724	1	Elbow union nut	48286	4	Washer	66641	1	Bearing
11083	1	Coupling stud	48431	4	Washer	66642	1	Woodruff key
11197	2	Hex nipple	50015	4	Screw	66643	1	Eye bolt
11907	1	Check union nipple	50016	2	Screw	66652	2	Square key
12018	2	Bushing	50022	4	Screw	66809	1	Bearing
12288	1	Adapter block	50030	4	Screw	66865	1	Electric cord
12296	1	Hex nipple	50038	4	Screw	66875	4	Thrust bearing
12303	1	Unloader check	50137	3	Screw	66883	1	Adapter union
12304	1	Unloader body	50148	4	Screw	67007	1	Pipe plug
12305	1	Slug	50511	2	Screw	67034	1	Coupling
12308	1	Unloader seat	50526	9	Screw	67044	1	Pipe plug
12357	1	Vent adapter	50624	2	Screw	67224	1	Pipe plug
12437	1	Check housing	50625	4	Screw	67241	1	Vent pipe
12438	1	Outlet connector	50628	4	Screw	67293	1	Pipe plug
12732	1	Yoke key	50657	1	Bolt	68316	8	Solderless wire terminal
12741	1	Secondary pinion	50735	1	Screw	68606	1	Motor shaft coupling
12742	1	Oil seal retainer	50740	2	Screw	69181	4	Lockwasher
12743	1	Motor pinion	50741	2	Screw	69378	1	Motor
12759	1	Check body	50803	1	Thumbscrew	73060	1	Vent hose assembly
13808	1	Adapter	51003	1	Nut	76A060	1	Delivery hose assembly
15015	1	Coupling nut	51014	2	Nut	82021	1	Safety unloader assembly
31002	1	Gasket	51032	4	Nut	82283	1	Drum cover assembly
31098	1	Gasket	51040	4	Nut	82285	1	Power unit assembly
33060	1	Motor shaft oil seal	51043	3	Nut	82290	1	Case assembly
33061	1	Gasket	51048	1	Nut	82291	1	Cover assembly
33070	1	Oil seal gasket	51057	6	Nut	82300	1	Pump assembly
33071	1	Cover gasket	55067	1	Spring	82322	1	Union and elbow assembly
34037	1	Giant packing	55105	1	Spring	83347	1	Pumptube assembly
34049	1	Elbow union gasket	55185	1	Spring	84066	1	Control panel
38054	1	Vent pipe packing	57030	1	Retainer	91149	1	Drum cover assembly
40231	1	Flange	66088	2	Cotter pin	91180	1	Eccentric block assembly
40340	1	High speed gear	66170	2	Lockwasher	91181	1	Eccentric gear assembly
40380	1	Scotch yoke	66213	3	Lockwasher	91681	1	Cover plate assembly
40382	1	Motor plate	66296	2	Straight B.X. connector	92367	1	Motor mounting plate assembly
45671	1	Packing housing	66637	1	Bearing			
48019	8	Washer	66640	3	Bearing	360635	1	Guard
48028	1	Washer						