

Low Pressure – Set at 1,000 PSI
For Dispensing Fluid Lubricant

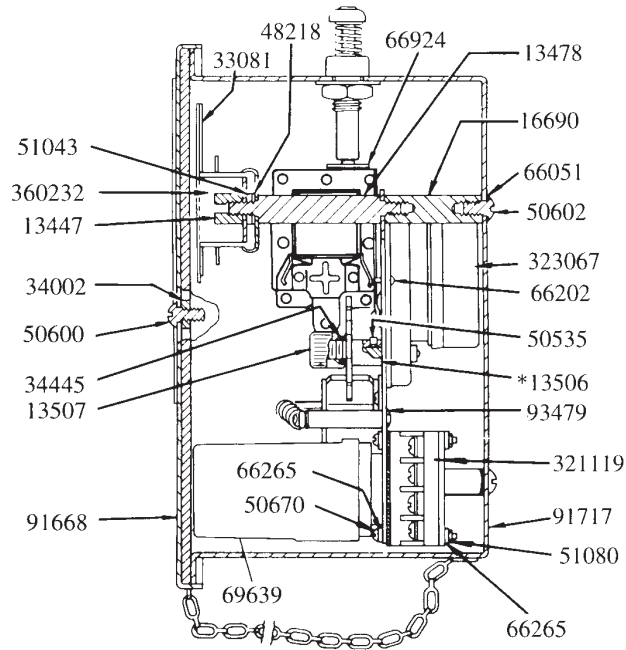
Refer to Separate Instructions:

For Installation and Operation
See Form 4359 Series.

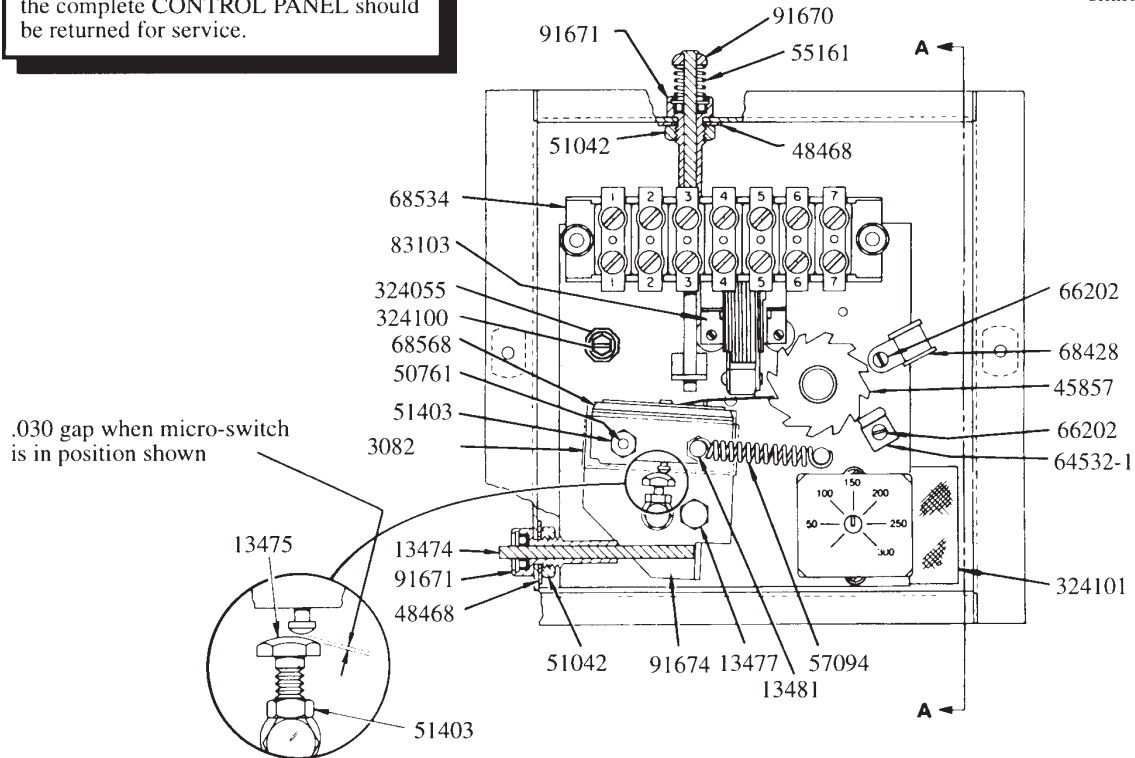
For Maintenance
See Form 4361 Series.

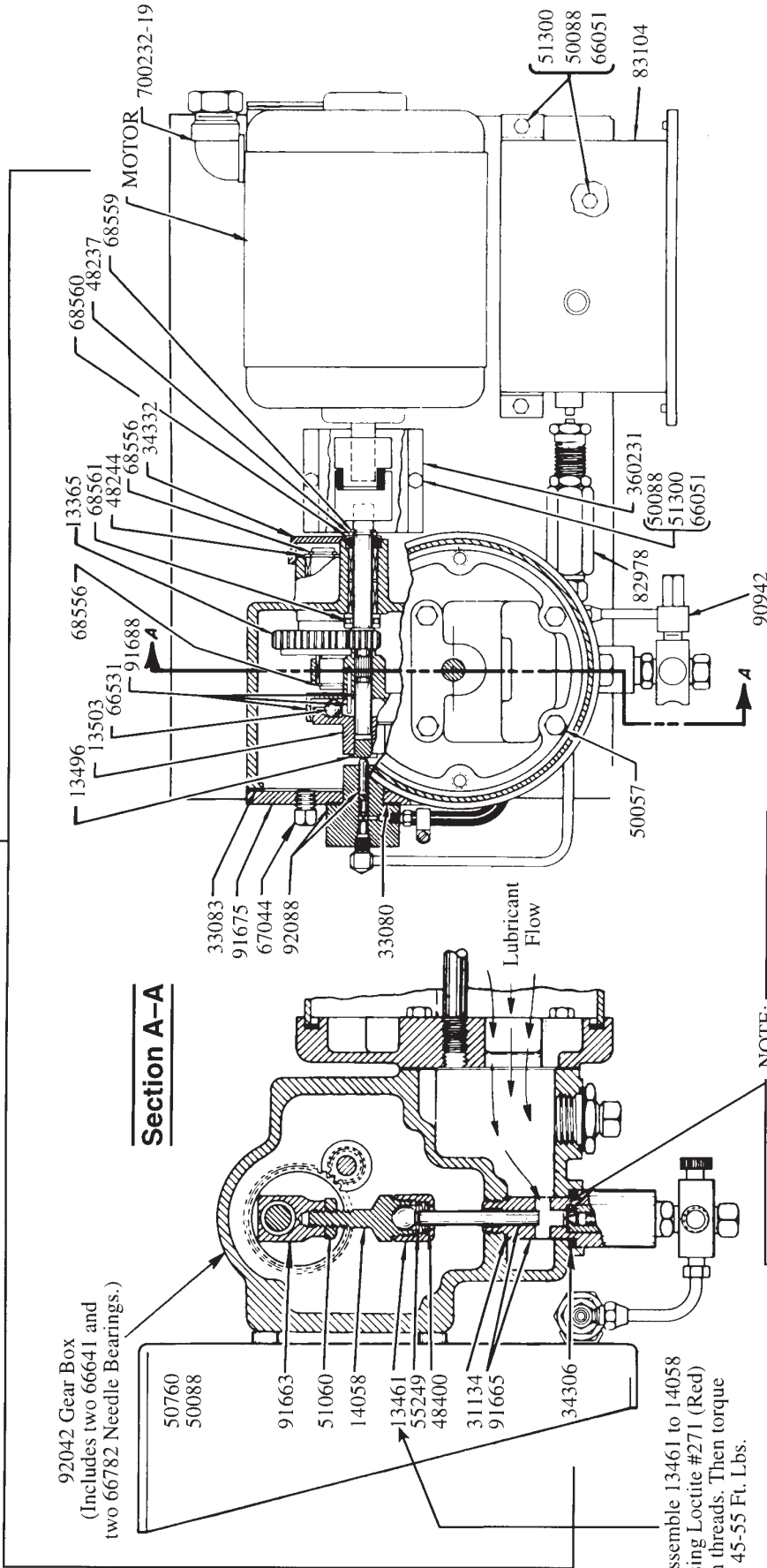
83104 Control Panel

For major repairs and/or adjustments,
the complete CONTROL PANEL should
be returned for service.



*Secure to timer motor shaft with #75 Loctite





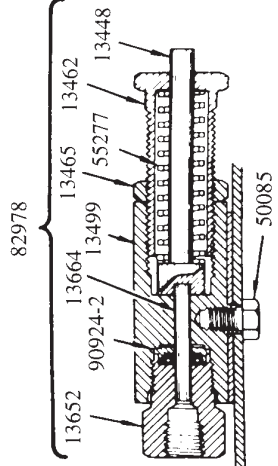
Section A-A

92042 Gear Box
(Includes two 66641 and two 66782 Needle Bearings.)

Assemble 13461 to 14058 using Loctite #271 (Red) on threads. Then torque to 45-55 Ft. Lbs.

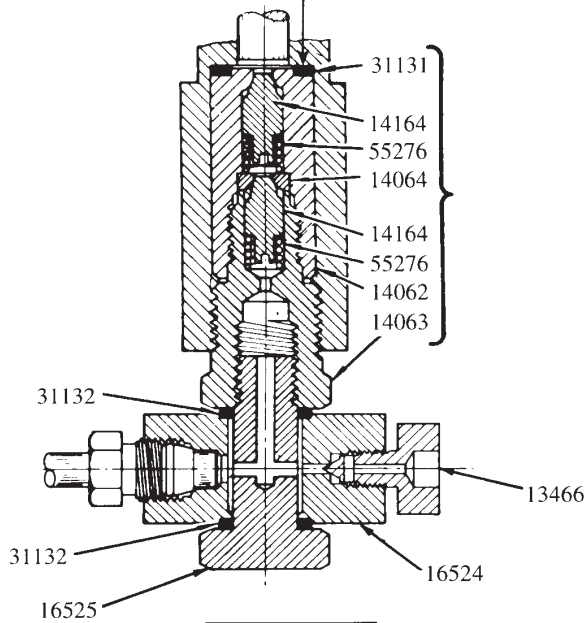
Lubricant Flow

NOTE:
Plunger gap critical:
To adjust, place eccentric in forward position.
Extend plunger adjustment until plunger touches
check seat then back off 1/2 turn.

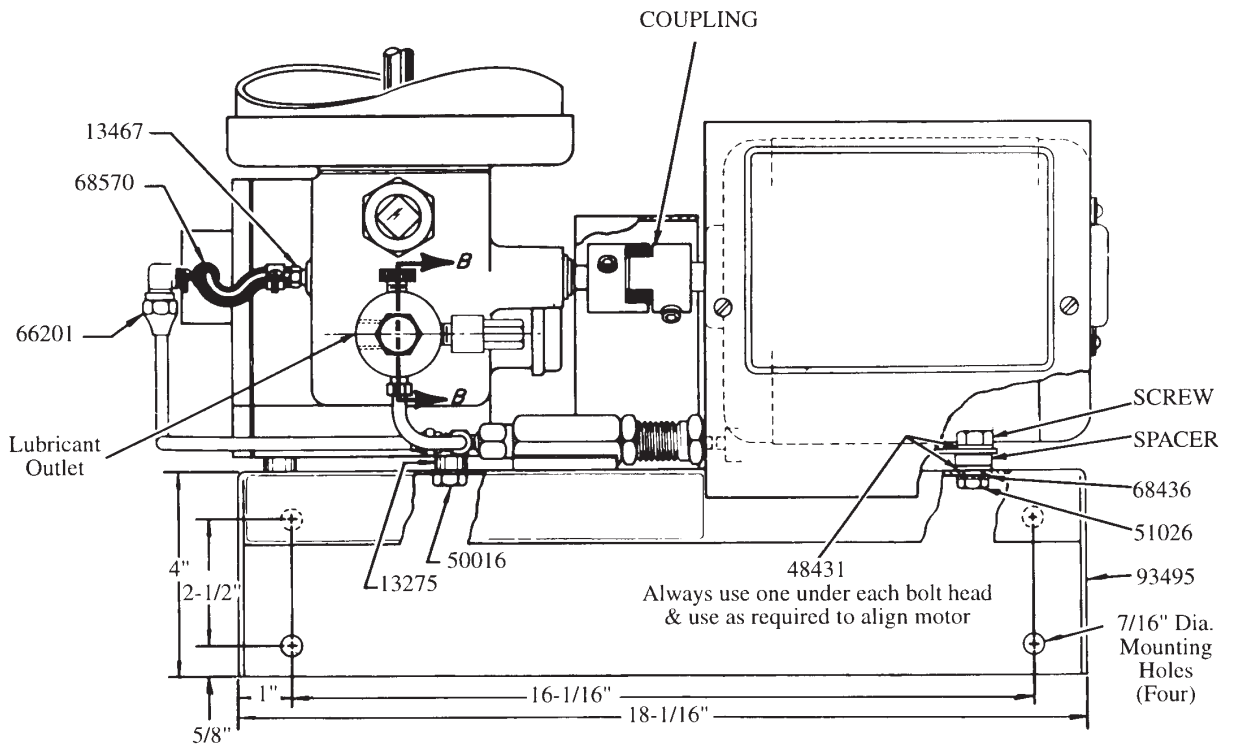
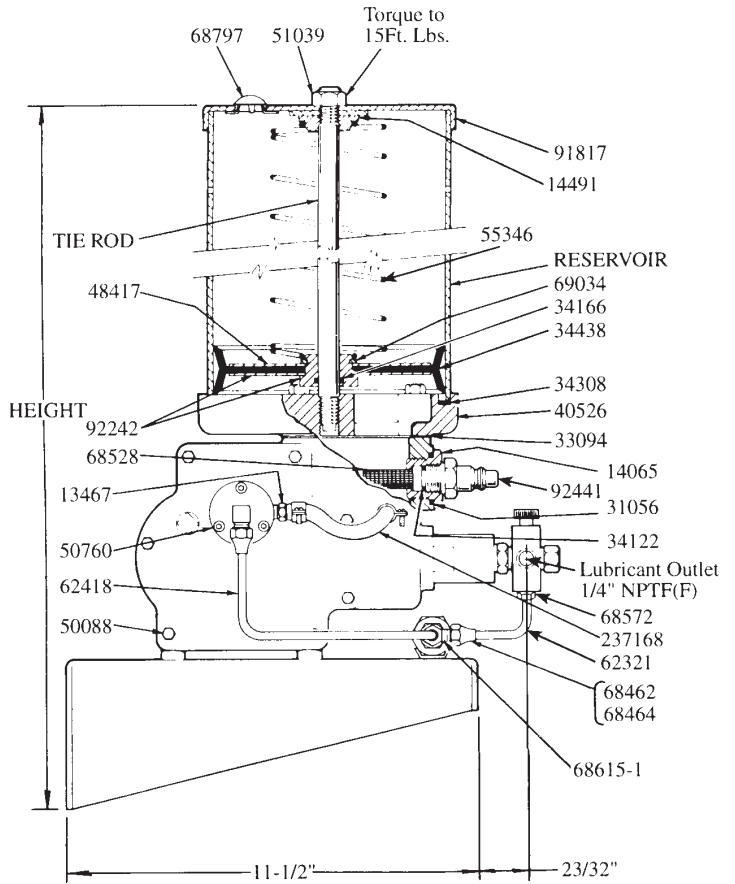


Model	Height	Motor	Coupling	Screw	Spacer	Tie Rod	Reservoir
1835	25-3/8"	68658(115 V., 60Hz)	68657	50030	13764	14449	247244(12 lb.)
1849	25-3/8"	68564(208-220/440 V., 50/60 Hz)	69227	50161	13482	14449	247244(12 lb.)
201849	17-3/4"	68564(208-220/440 V., 50/60 Hz)	69227	50161	13482	14826	247245(7 lb.)

NOTE:
 Plunger gap critical:
 To adjust, place eccentric in forward position.
 Extend plunger adjustment until plunger touches
 check seat then back off 1/2 turn.



Section B-B



© INDICATES CHANGES

SERVICEPARTS

Part	Qty.	Description	Part	Qty.	Description	Part	Qty.	Description
13275	4	Spacer	40526	1	Reservoir casting	68464	2	Long nut
13365	1	Gear	*45857	2	Cam	68528	1	Strainer
13447	2	Nut	48218	4	Washer	68534	1	Terminal block
13448	1	Spring Guide	48237	1	Washer	68556	2	Retaining ring
13461	1	Nut	48244	1	Washer	68559	1	Retaining ring
13462	1	Housing	48400	1	Washer	*68560	1	Shaft seal
13464	1	Pin	48417	1	Washer	*68561	1	Thrust bearing
12365	1	Nut	48431	8	Washer	*68568	1	Micro-switch
13466	1	Air vent screw	48468	2	Washer	68570	2	Hose clamp
13467	2	Fitting	50016	4	Screw	68572	1	Tube fitting
13474	1	Rod	50057	4	Screw	68615-1	1	Male run tee
13475	1	Screw	50085	1	Screw	68797	1	Plug button
13477	1	Bolt	50088	13	Screw	69037	1	Snap ring
13478	2	Stud	50535	1	Set Screw	*69369	1	Time delay relay
13481	1	Nut	50600	2	Screw	82978	1	Pressure control ass'y.
*13496	1	Thrust bearing	50502	3	Screw	83103	1	Solenoid
13499	1	Body	50570	2	Screw	83104	1	Timer assembly
*13503	1	Centrifugal cam	50760	3	Screw	83477	1	Gear box assembly
13506	1	Cam shaft	50761	2	Screw	83530	1	Check assembly
13507	1	Knob	51026	4	Nut	* 90924-2	1	Packing
13652	1	Adapter	51039	1	Nut	90942	1	Unloader
14058	1	Connecting rod	51042	2	Nut	91663	1	Crank head
14062	1	Body	51043	2	Nut	91665	1	Plunger & bushing
14063	1	Cap	51060	1	Locknut	91668	1	Gear & ball housing
*14064	1	Seat	51080	2	Nut	91670	1	Rod
14065	1	Adapter	51300	6	Nut	91671	2	Bushing
*14164	2	Check valve	51403	2	Nut	91674	1	Sleeve & plate
14491	1	Retainer washer	55161	1	Spring	91675	1	Cover
16524	1	Outlet connector	*55249	1	Spring	91688	1	Gear & ball housing
16525	1	Outlet bolt	*55276	2	Spring	91717	1	Electrical box
16690	1	Spacer	*55277	1	Spring	91817	1	Reservoir cap
31056	1	Gasket	55346	1	Spring	92042	1	Gear box
*31131	1	Gasket	57094	1	Spring	*92088	1	Needle & vent body
31132	2	Gasket	62321	1	Tubing	92242	1	Bushing & washer
31134	1	Gasket	62418	1	Tubing	93479	1	Electrical panel
*33080	1	Gasket	64532-1	1	Clip	93495	1	Base
33081	1	Insulator	66051	9	Lockwasher	237168	1	Hose
33082	1	Insulator	66201	1	90° Tube connector	321119	1	Octal socket
33083	1	Gasket	66202	4	Screw	323067	1	Timer motor
33094	1	Gasket	66265	4	Lockwasher	324055	1	Lockwasher
34002	2	Packing (Nitrile)	66531	9	Ballwasher	324100	1	Grounding screw
*34122	1	Packing (Nitrile)	66641	2	Ball	324101	1	Insulator
34166	1	O-ring (Nitrile)	66782	1	Needle bearing	360231	1	Guard
*34306	1	Packing (Nitrile)	66924	1	Retaining ring	360232	1	Cover
*34308	1	Gasket (Nitrile)	67044	1	Plug	700232-19	1	90° Conduit adapter
*34332	1	Shaft seal (Nitrile)	68428	1	Clamp			
*34438	1	Follower (Nitrile)	68436	4	Lockwasher			
34445	1	Gasket (Nitrile)	68462	2	Ferrule			

*Recommended Service Parts Inventory

Optional 83696 Low Level Cut-Off Kit may be used to signal low lubricant in reservoir. Refer to Service Manual Section K3, Page 1 Series.

RETAIN THIS INFORMATION FOR FUTURE REFERENCE

When ordering replacement parts, list: Part Number, Description, Model Number and Series Letter.
LINCOLN provides a Distributor Network that stocks equipment and replacement parts.