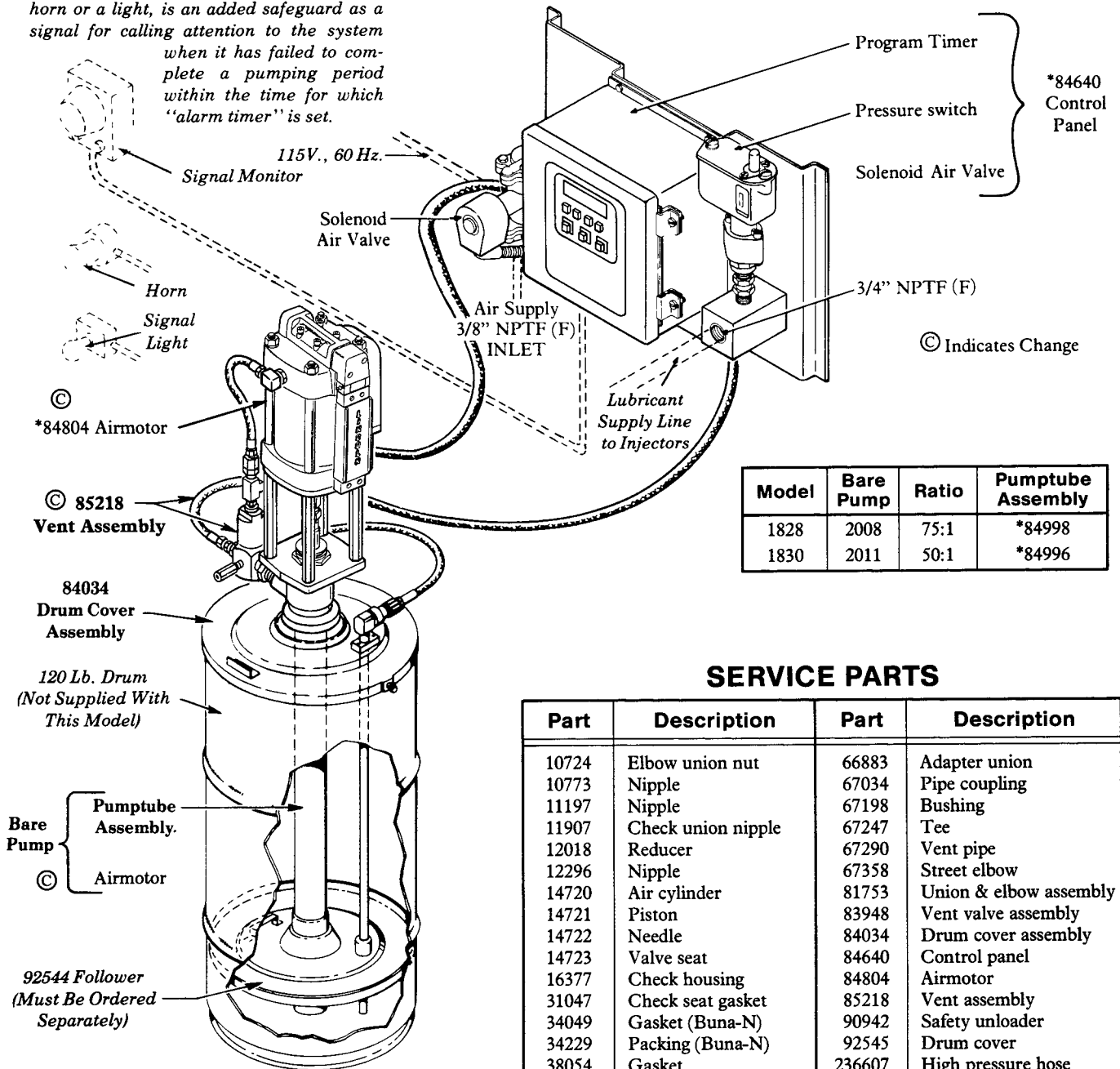


**AIR OPERATED - 120 LB. DRUM SIZE  
HIGH PRESSURE, 2500 PSI GREASE SYSTEM**

**MONITOR SIGNALS:** A monitor, either a horn or a light, is an added safeguard as a signal for calling attention to the system when it has failed to complete a pumping period within the time for which "alarm timer" is set.



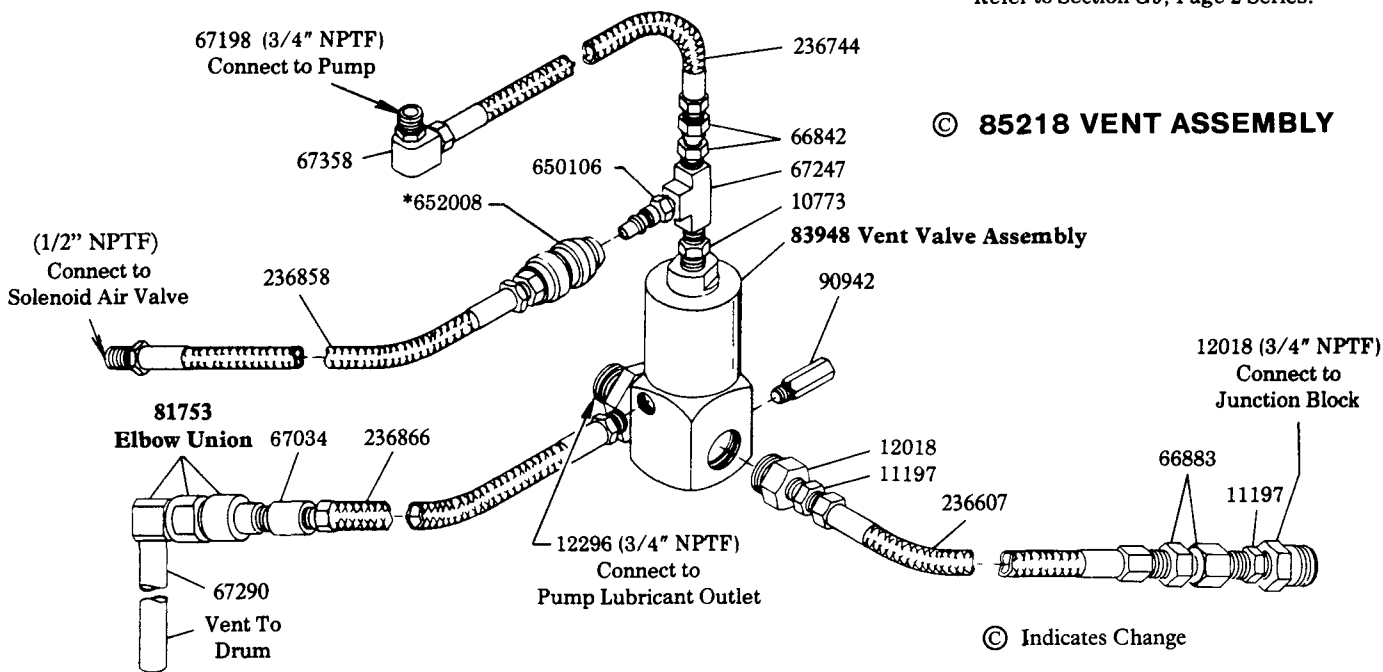
Model	Bare Pump	Ratio	Pumptube Assembly
1828	2008	75:1	*84998
1830	2011	50:1	*84996

**SERVICE PARTS**

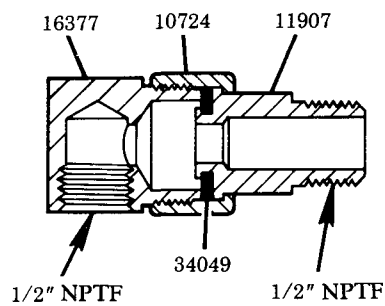
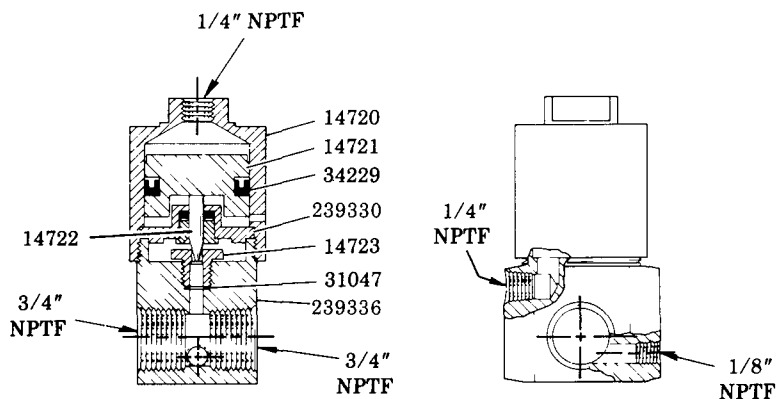
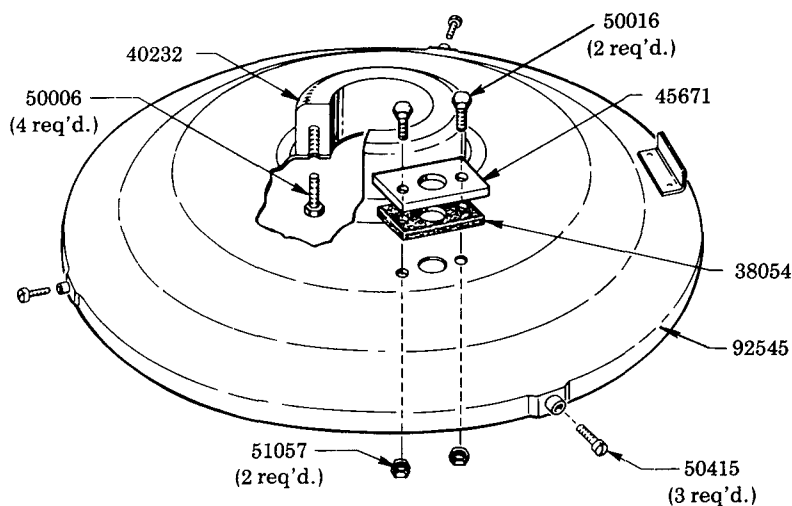
Part	Description	Part	Description
10724	Elbow union nut	66883	Adapter union
10773	Nipple	67034	Pipe coupling
11197	Nipple	67198	Bushing
11907	Check union nipple	67247	Tee
12018	Reducer	67290	Vent pipe
12296	Nipple	67358	Street elbow
14720	Air cylinder	81753	Union & elbow assembly
14721	Piston	83948	Vent valve assembly
14722	Needle	84034	Drum cover assembly
14723	Valve seat	84640	Control panel
16377	Check housing	84804	Airmotor
31047	Check seat gasket	85218	Vent assembly
34049	Gasket (Buna-N)	90942	Safety unloader
34229	Packing (Buna-N)	92545	Drum cover
38054	Gasket	236607	High pressure hose
40232	Flange	236744	Air hose
45671	Gasket housing	236858	Air hose
50006	Cap screw	236866	Volume hose
50016	Screw	239330	Viton packing assembly
50415	Drum cover screw	239336	Valve body
51057	Nut	650106	Coupler nipple
66842	Adapter union	652008	Air coupler

- \*84640 Control Panel - Refer to Section C8, Page 223 Series.
- \*84804 Airmotor - Refer to Section A50, Page 78 Series.
- \*84998 Pumptube Assembly - Refer to Section A50, Page 82 Series.
- \*84996 Pumptube Assembly - Refer to Section A50, Page 82 Series.

\*652008 Air Coupler  
Refer to Section G9, Page 2 Series.



**84034  
DRUM COVER ASSEMBLY**



**83948  
VENT VALVE ASSEMBLY**