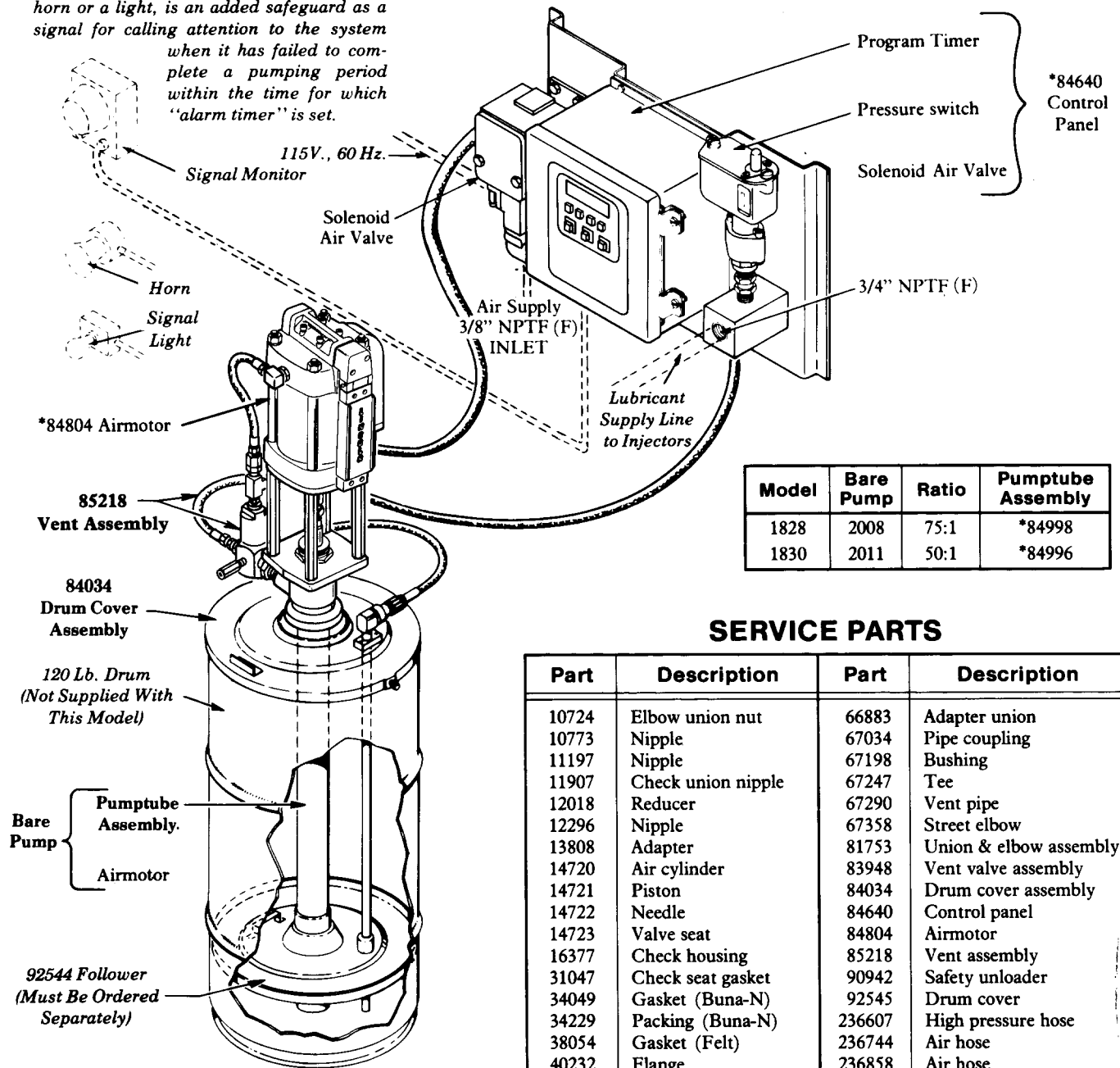


AIR OPERATED - 120 LB. DRUM SIZE HIGH PRESSURE, 2500 PSI GREASE SYSTEM

MONITOR SIGNALS: A monitor, either a horn or a light, is an added safeguard as a signal for calling attention to the system when it has failed to complete a pumping period within the time for which "alarm timer" is set.

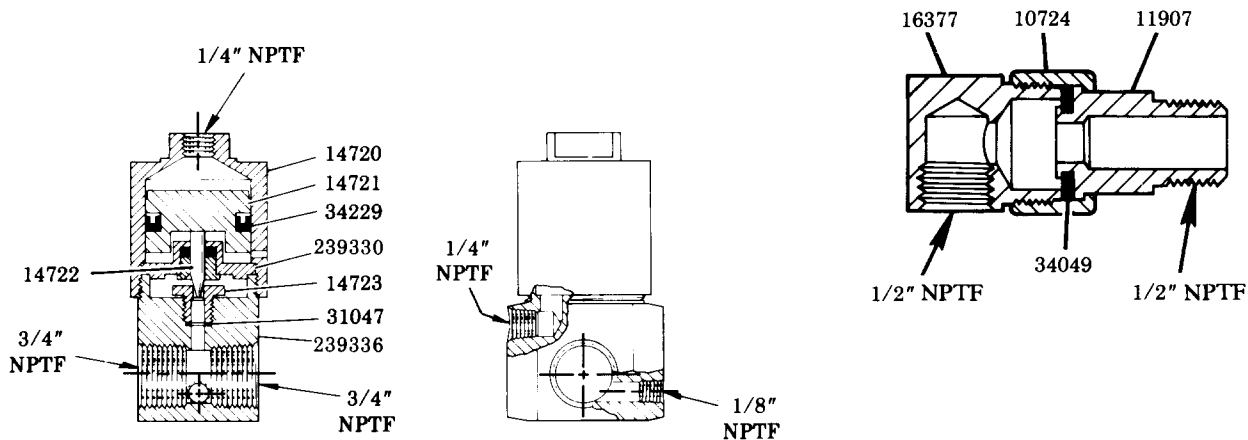
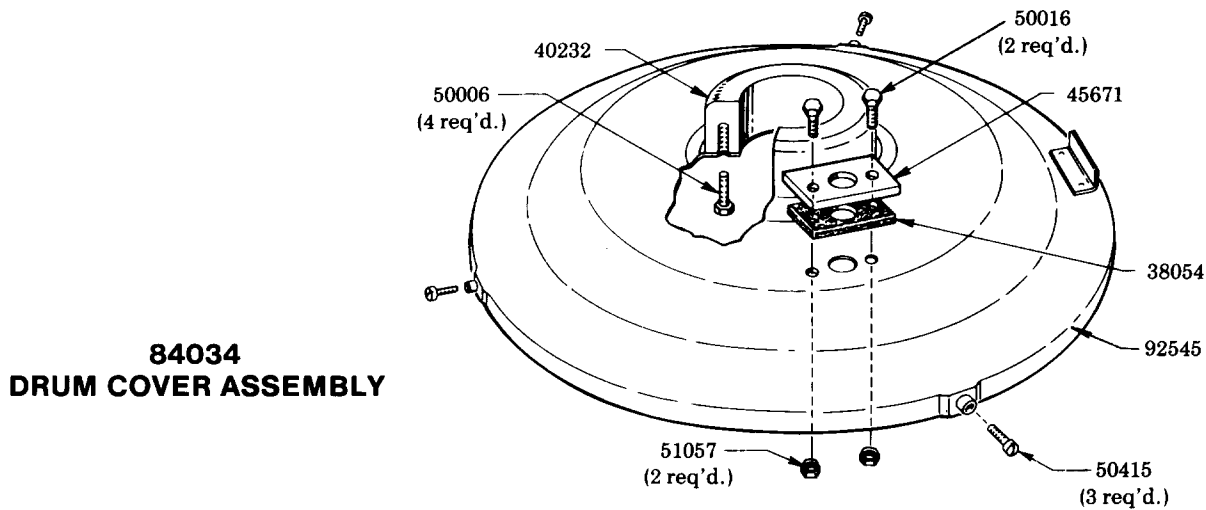
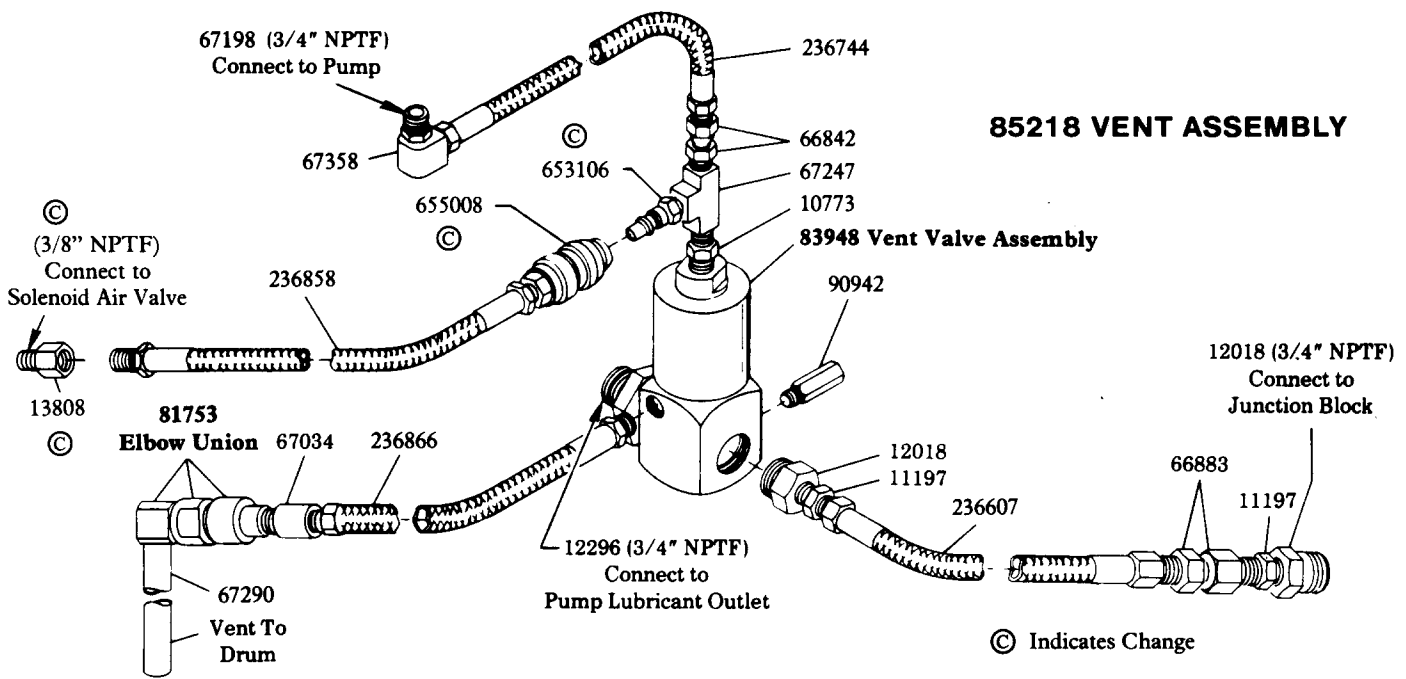


Model	Bare Pump	Ratio	Pumptube Assembly
1828	2008	75:1	*84998
1830	2011	50:1	*84996

SERVICE PARTS

Part	Description	Part	Description
10724	Elbow union nut	66883	Adapter union
10773	Nipple	67034	Pipe coupling
11197	Nipple	67198	Bushing
11907	Check union nipple	67247	Tee
12018	Reducer	67290	Vent pipe
12296	Nipple	67358	Street elbow
13808	Adapter	81753	Union & elbow assembly
14720	Air cylinder	83948	Vent valve assembly
14721	Piston	84034	Drum cover assembly
14722	Needle	84640	Control panel
14723	Valve seat	84804	Airmotor
16377	Check housing	85218	Vent assembly
31047	Check seat gasket	90942	Safety unloader
34049	Gasket (Buna-N)	92545	Drum cover
34229	Packing (Buna-N)	236607	High pressure hose
38054	Gasket (Felt)	236744	Air hose
40232	Flange	236858	Air hose
45671	Gasket housing	236866	Volume hose
50006	Cap screw	239330	Viton packing assembly
50016	Screw	239336	Valve body
50415	Drum cover screw	653106	Coupler nipple
51057	Nut	655008	Air coupler
66842	Adapter union		

- *84640 Control Panel - Refer to Section C8, Page 223 Series.
- *84804 Airmotor - Refer to Section A50, Page 78 Series.
- *84998 Pumptube Assembly - Refer to Section A50, Page 82 Series.
- *84996 Pumptube Assembly - Refer to Section A50, Page 82 Series.



83948 VENT VALVE ASSEMBLY

81753 ELBOW UNION