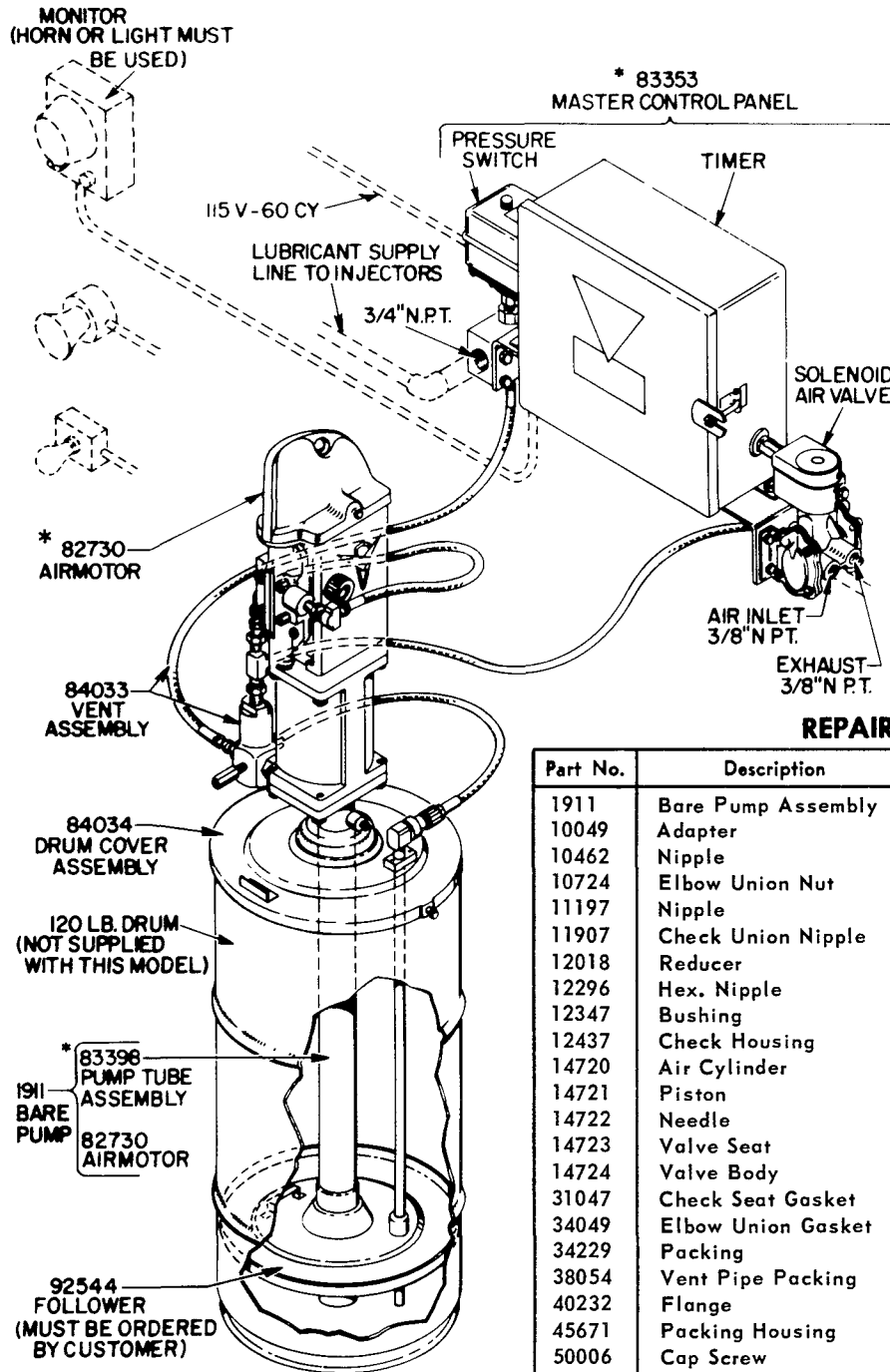


# CENTRO-MATIC DRUM PUMP

AIR OPERATED — 120 LB. DRUM SIZE  
HIGH PRESSURE, 2,500 P.S.I.G., SYSTEM



Model 1830  
Series "A"



### REPAIR PARTS LIST

| Part No. | Description                | Part No. | Description              |
|----------|----------------------------|----------|--------------------------|
| 1911     | Bare Pump Assembly         | 51057    | Nut                      |
| 10049    | Adapter                    | 66645    | Adapter Union            |
| 10462    | Nipple                     | 67034    | Pipe Coupling            |
| 10724    | Elbow Union Nut            | 67054    | Street Elbow             |
| 11197    | Nipple                     | 67102    | Tee                      |
| 11907    | Check Union Nipple         | 67133    | Union                    |
| 12018    | Reducer                    | 67290    | Vent Pipe                |
| 12296    | Hex. Nipple                | 72024    | Air Hose Assembly        |
| 12347    | Bushing                    | 72A060   | Air Hose Assembly        |
| 12437    | Check Housing              | 76A060   | H.P. Hose Assembly       |
| 14720    | Air Cylinder               | 81753    | Union Elbow Assembly     |
| 14721    | Piston                     | 82730    | Airmotor                 |
| 14722    | Needle                     | 83353    | Master Control Panel     |
| 14723    | Valve Seat                 | 83398    | Pump Tube Assembly       |
| 14724    | Valve Body                 | 83948    | Vent Valve Assembly      |
| 31047    | Check Seat Gasket          | 84033    | Vent Assembly            |
| 34049    | Elbow Union Gasket         | 84034    | Drum Cover Assembly      |
| 34229    | Packing                    | 90942    | Safety Unloader Assembly |
| 38054    | Vent Pipe Packing          | 91241    | Volume Hose Assembly     |
| 40232    | Flange                     | 92447    | Packing Assembly         |
| 45671    | Packing Housing            | 92545    | Drum Cover               |
| 50006    | Cap Screw                  | 650106   | Plug                     |
| 50016    | 5/16" - 18 Hex. Head Screw | 652006   | Socket Assembly          |
| 50415    | Drum Cover Screw           |          |                          |

\*83398 PUMP TUBE ASSEMBLY - Refer to Section A50, Page 27 Series

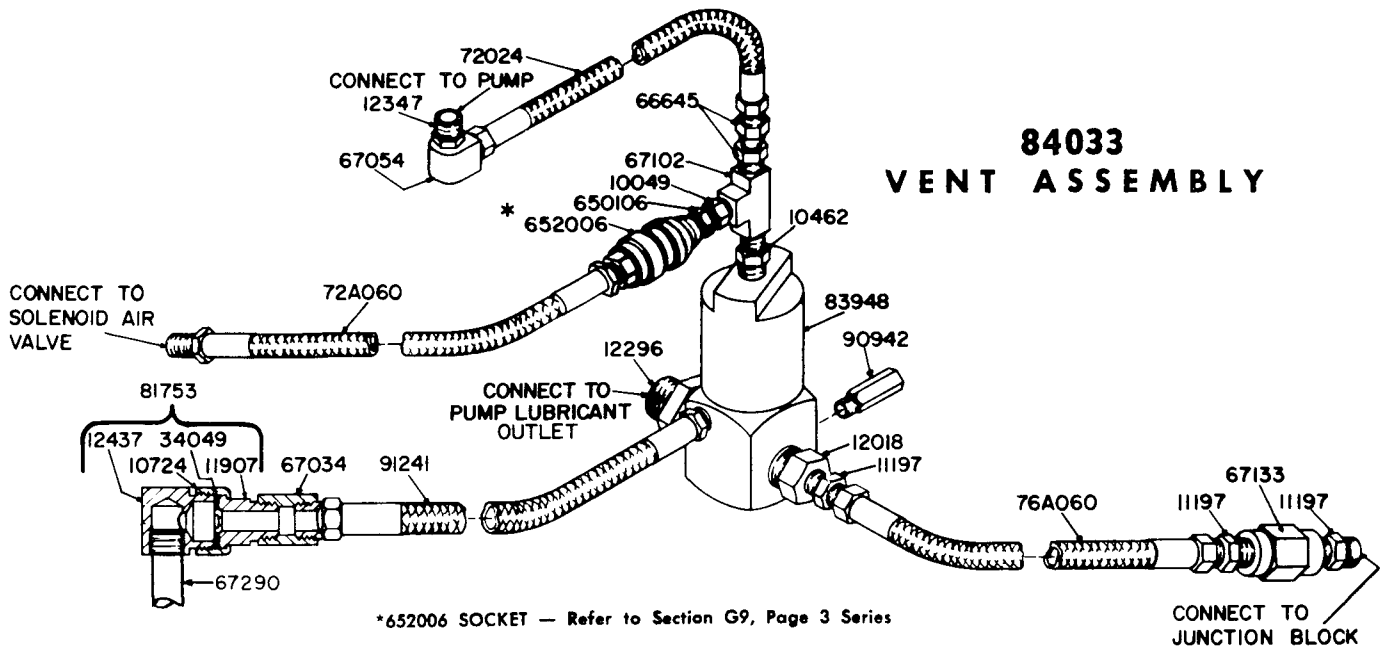
\*83353 MASTER CONTROL PANEL - Refer to Section C8, Page 110 Series

\*82730 AIRMOTOR - Refer to Section A50, Page 3 Series

**LINCOLN ST. LOUIS**  
4010 GOODFELLOW BLVD. • ST. LOUIS, MO 63120 • (314) 383-5900



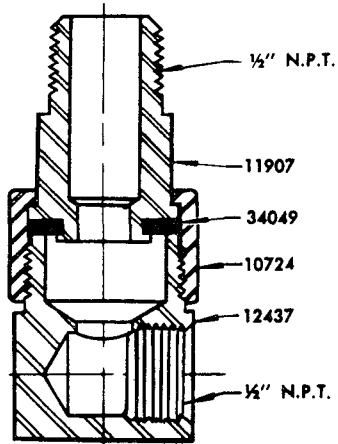
SECTION -C8  
PAGE -82



**84033  
VENT ASSEMBLY**

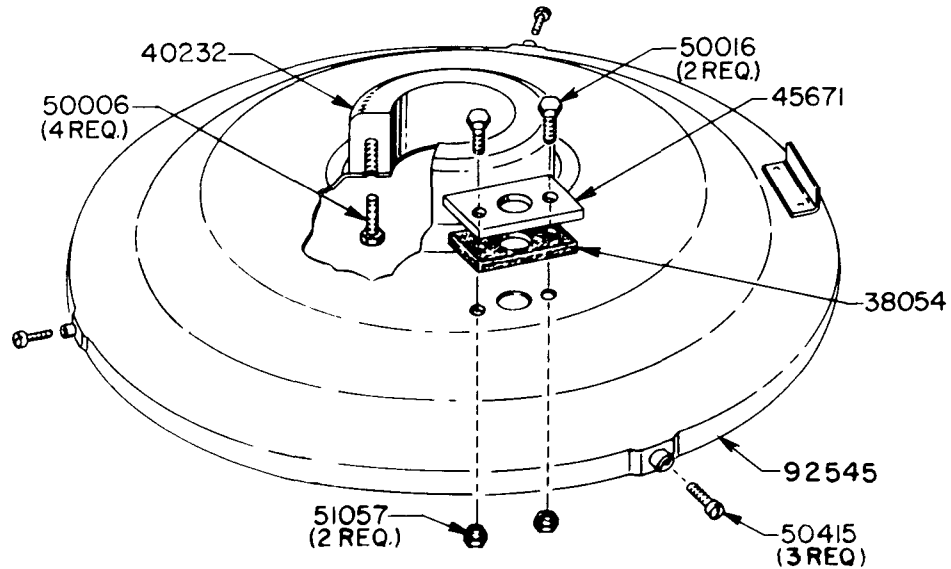
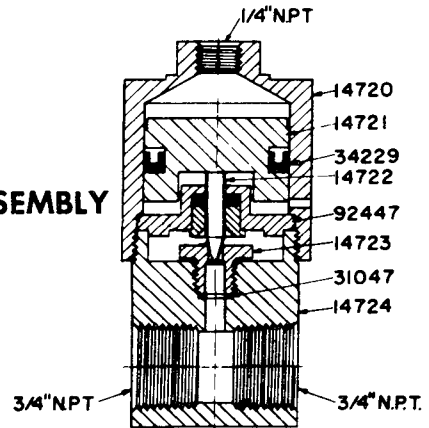
\*652006 SOCKET — Refer to Section G9, Page 3 Series

CONNECT TO  
JUNCTION BLOCK



**81753  
ELBOW UNION**

**83948  
VENT VALVE ASSEMBLY**



**84034  
DRUM COVER  
ASSEMBLY**

**RETAIN THIS INFORMATION FOR FUTURE REFERENCE**

When ordering Replacement Parts, List Part Numbers, Description, Model Number, and Series Letter.

LINCOLN ST. LOUIS Provides a Distributor Network that stocks Equipment and Replacement Parts.

Repairs by Authorized Service Depts. List furnished upon request.