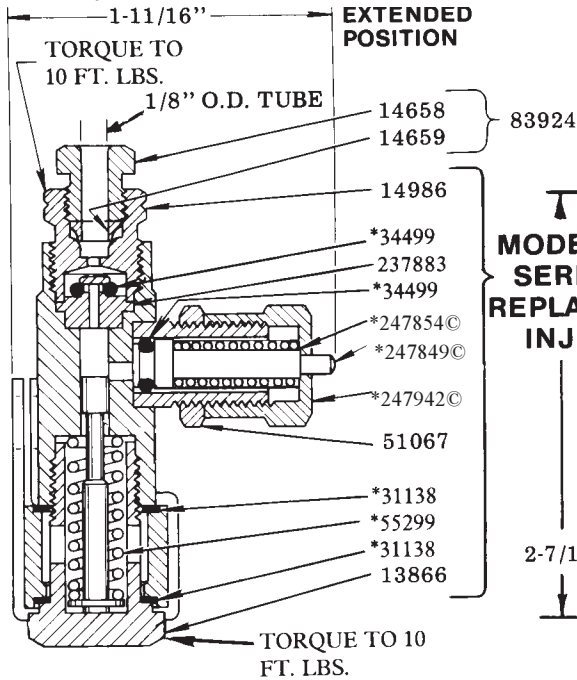


SPECIFICATIONS

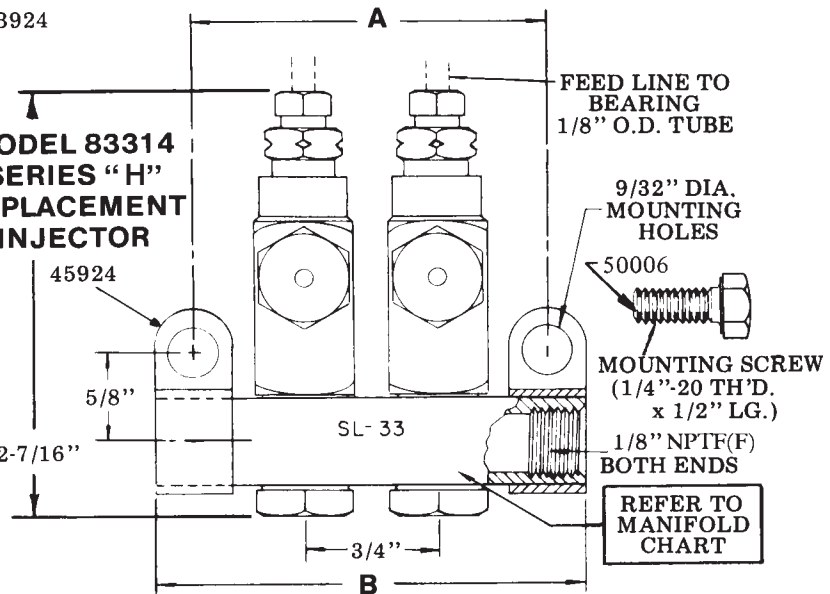
OUTPUT:.....Adjustable from .001 cu. in. to .003 cu. in.
OPERATING PRESSURE:.....1200 psi to 3500 psi
† RECOMMENDED OPERATING PRESSURE: 1500 psi
RECHARGE PRESSURE:.....200 psi
 For dispensing oil or grease having a consistency not exceeding NLGI grade No. 2.
 May be used in a system with SL-1, SL-11, or SL-33 Injectors.
 † 2500 psi when used in combination with series SL-1 and/or SL-11 Injectors.

MANIFOLD CHART

Model	Description	Dimensions		Manifold
		A	B	
83309-1	1 Unit	1-1/8"	1-5/8"	91863-1
83309-2	2 Unit	1-7/8"	2-3/8"	91864-1
83309-3	3 Unit	2-5/8"	3-1/8"	91865-1
83309-4	4 Unit	3-3/8"	3-7/8"	91866-1
83309-5	5 Unit	4-1/8"	4-5/8"	14361
83309-6	6 Unit	4-7/8"	5-3/8"	91976-1
83309-8	8 Unit	6-3/8"	6-7/8"	14291
83309-9	9 Unit	7-1/8"	7-5/8"	14330



**MODEL 83314
SERIES "H"
REPLACEMENT
INJECTOR**

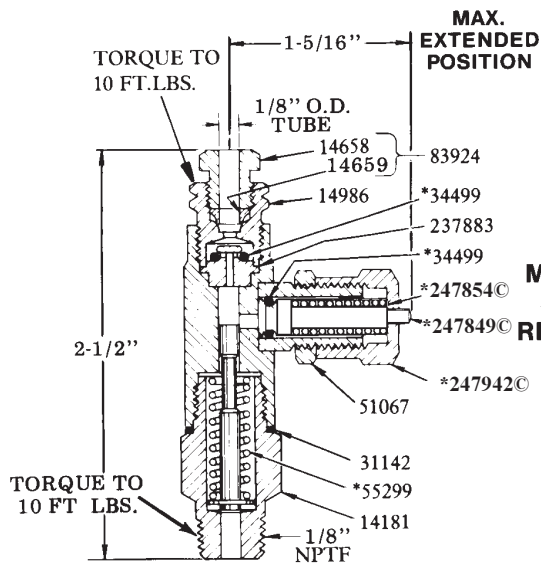


SERVICE PARTS

Model	Qty.	Description
13886	1	Adapter
14181	1	Injector cap
14658	1	Compression nut
14659	1	Ferrule
14986	1	Outlet body
+*31138	1	Gasket
31142	2	Gasket
+*34499	2	O-ring (Nitrile)
45924	2	Manifold mounting clip
50006	2	Mounting screw
51067	1	Lock nut
+*55299	1	Spring
83924	1	Compression nut assembly
+*237883	1	Check seat
Ⓢ+ 247849	1	Piston
Ⓢ+*247854	1	Spring
Ⓢ+ 247942	1	Injector Cap

* Included in 247964 Repair Kit

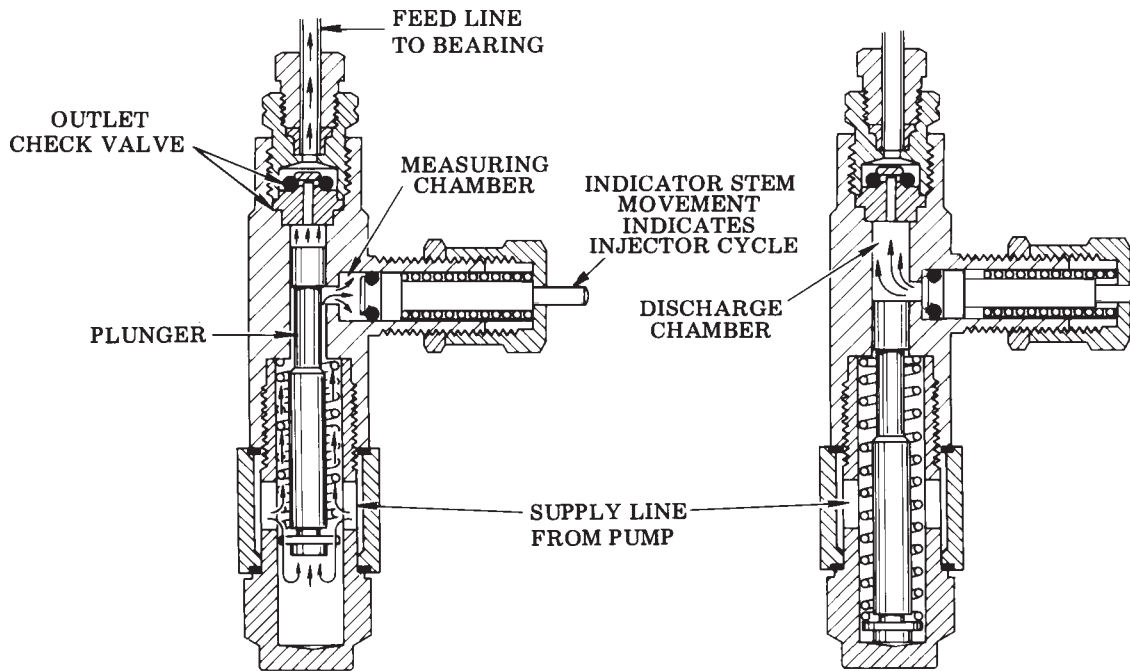
+ Included in 247965 Upgrade Kit



**MODEL 83900
SERIES "H"
REPLACEMENT
INJECTOR**

NOTE: Injectors from previous series can be improved with stenciled cap and single piece piston by use of 247965 upgrade kit.

Ⓢ Indicates Change



OPERATION

SUPPLY LINE UNDER PRESSURE

(Normal operating pressure 1500 psi)

Lubricant pressure moves plunger to force lubricant in the discharge chamber through the outlet check valve to the feed line.

Lubricant from supply line charges the measuring chamber.

SUPPLY LINE VENTED

(Vent pressure 200 psi maximum)

Plunger returns to normal position after supply line is vented, connecting measuring chamber to the discharge chamber. Flow from feed line is blocked by the outlet check valve.

Lubricant is automatically transferred from measuring chamber to discharge chamber.

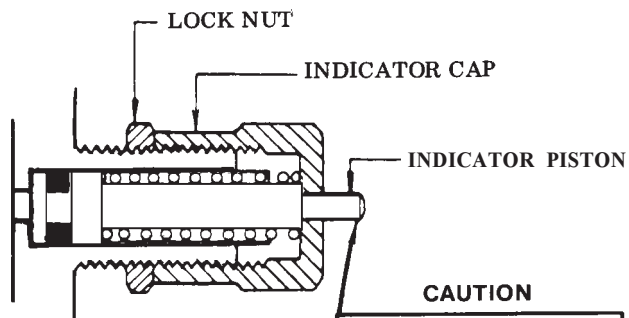
INJECTOR ADJUSTMENT

Injector output is controlled by the position of the indicator cap which limits the travel of the packing retainer.

With the indicator cap hand tightened against its stop, the lubricant output is decreased to a minimum.

Retracting the indicator cap two full turns permits a maximum of .003 cu. in. to be dispensed. Use the graduations on the cap as an aid in setting the indicator.

When the injector has been adjusted for the proper lubricant output, the lock nut is tightened against the face of the indicator cap.



CAUTION
INDICATOR CAP MUST NOT EXTEND BEYOND RETRACTED POSITION OF INDICATOR STEM.

RETAIN THIS INFORMATION FOR FUTURE REFERENCE

When ordering replacement parts, list: Part Number, Description, Model Number and Series Letter.
LINCOLN provides a Distributor Network that stocks equipment and replacement parts.