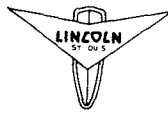


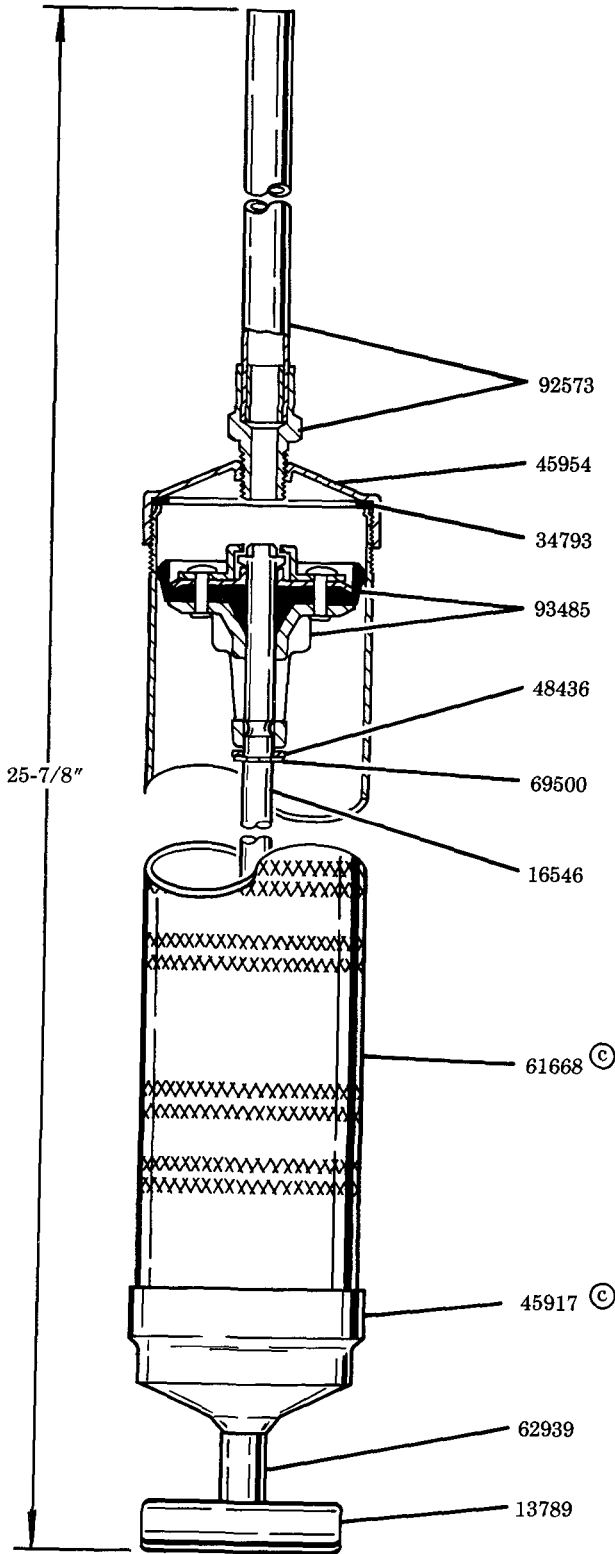
SUCTION GUN

18 OZ. CAPACITY



Model 615

Series "G"



NOTE

Model 615 Suction Gun is recommended for use with petroleum products except mineral spirits and other similar products. Mineral spirits cause swelling of the follower packing and the packing seal in cap.

SERVICE PARTS

PART	DESCRIPTION
13789	Follower handle
16546	Follower rod
34793	Gasket
45917	Tube cap
45954	Tube cap
48436	Washer
61668	Container tube
62939	Spacer
69500	Retaining ring
92573	Nozzle
93485	Follower

© Indicates change

LINCOLN ST. LOUIS
4010 GOODFELLOW BLVD • ST LOUIS MO 63120 • (314) 679-4200



A DIVISION OF
McNEIL
CORPORATION

SECTION - **D15**
PAGE - **1B**