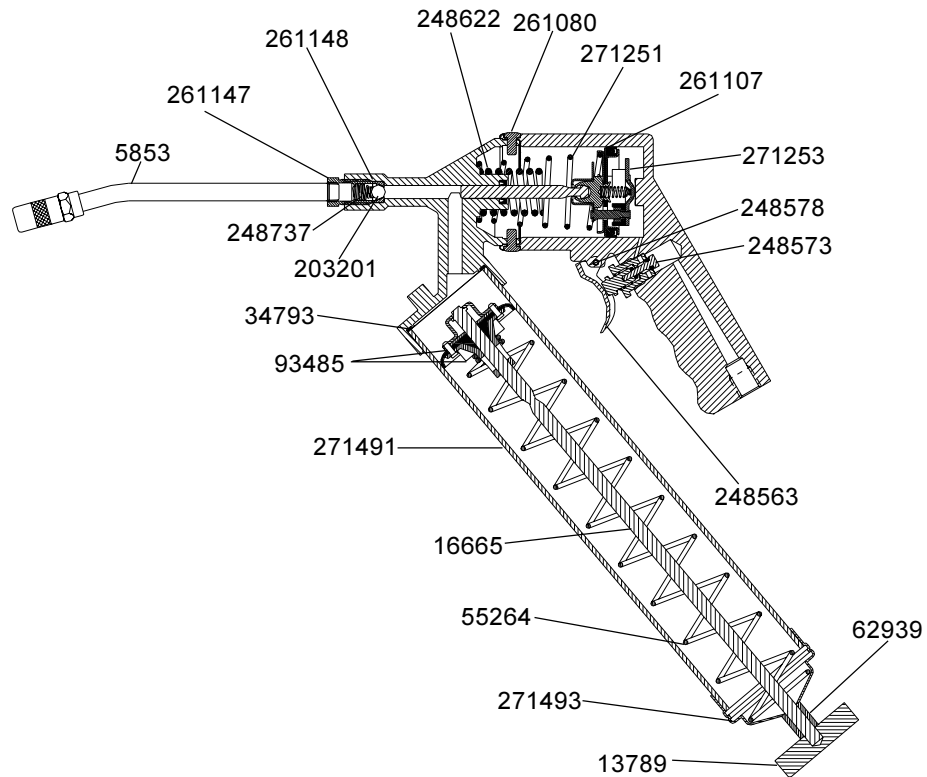


SERVICE PARTS SHEET



PART NUMBER	DESCRIPTION	QTY	PART NUMBER	DESCRIPTION	QTY
5853	Coupler Extension	1	248622	Actuation Spring	1
13789	Handle	1	248737	Ball Check Spring	1
16665	Plunger Rod	1	261080	Screw, 10-32 x 1/4	4
34793	Packing	1	261107*	U-Cup Packing	1
55264	Follower Spring	1	261147	Check Valve Body	1
62939	Spacer	1	261148	Ball Seat	1
93485	Follower Assembly	1	271253	Return Spring	1
203201	Ball	1	271251	Air Piston Assy.	1
248563	Trigger	1	271491	Container Tube (Blue)	1
248573	Trigger Valve Assembly	1	271493	Cap (Blue)	1
248578	Roll Pin	1			

* Included with Air Piston Assembly.

Lincoln Industrial
One Lincoln Way
St. Louis, Missouri 63120-1578
Customer Service (314) 679-4200

Sec. **D7**
Page **48**
Air Operated Pump
Form 422400