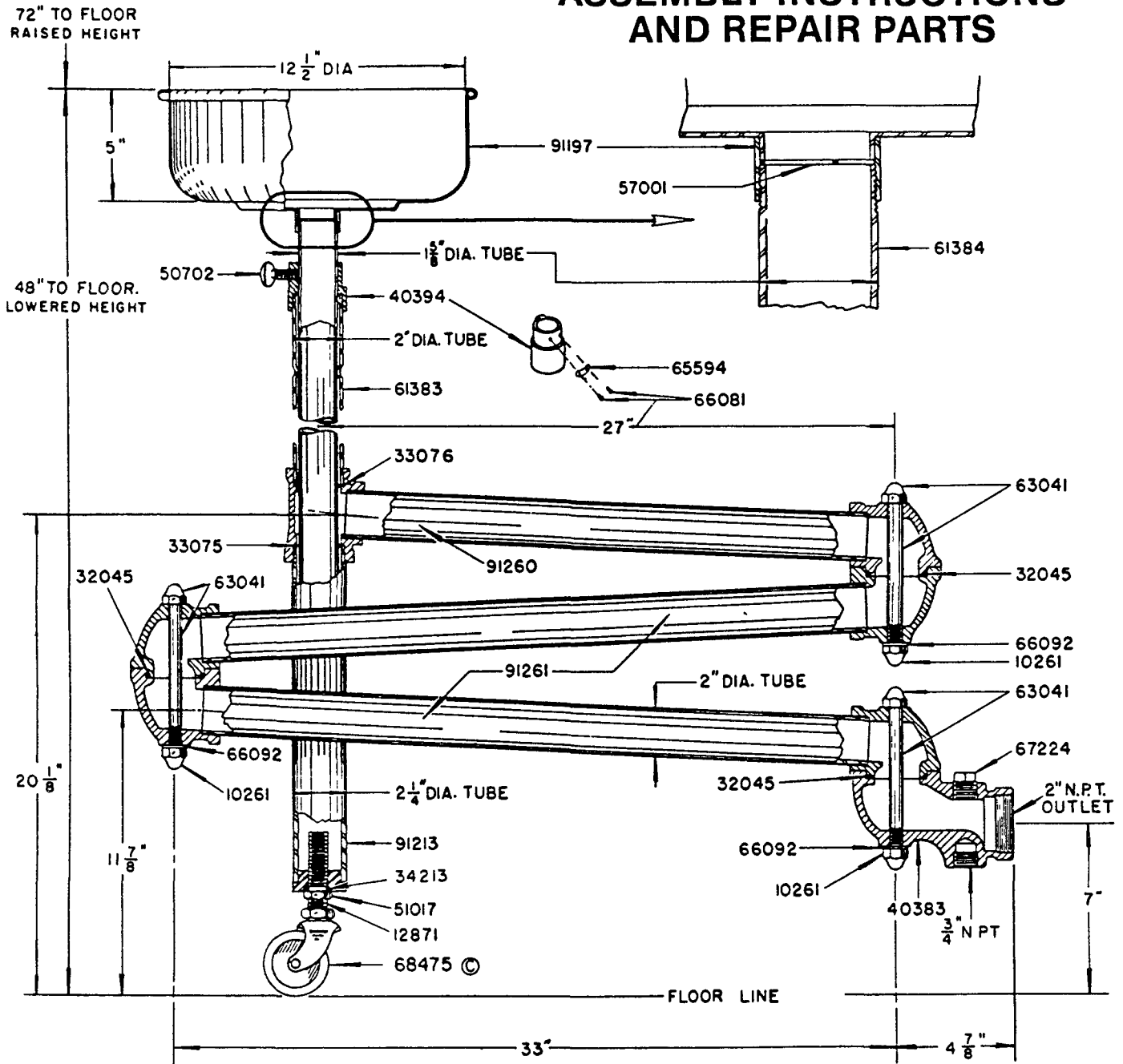


**ASSEMBLY INSTRUCTIONS  
AND REPAIR PARTS**

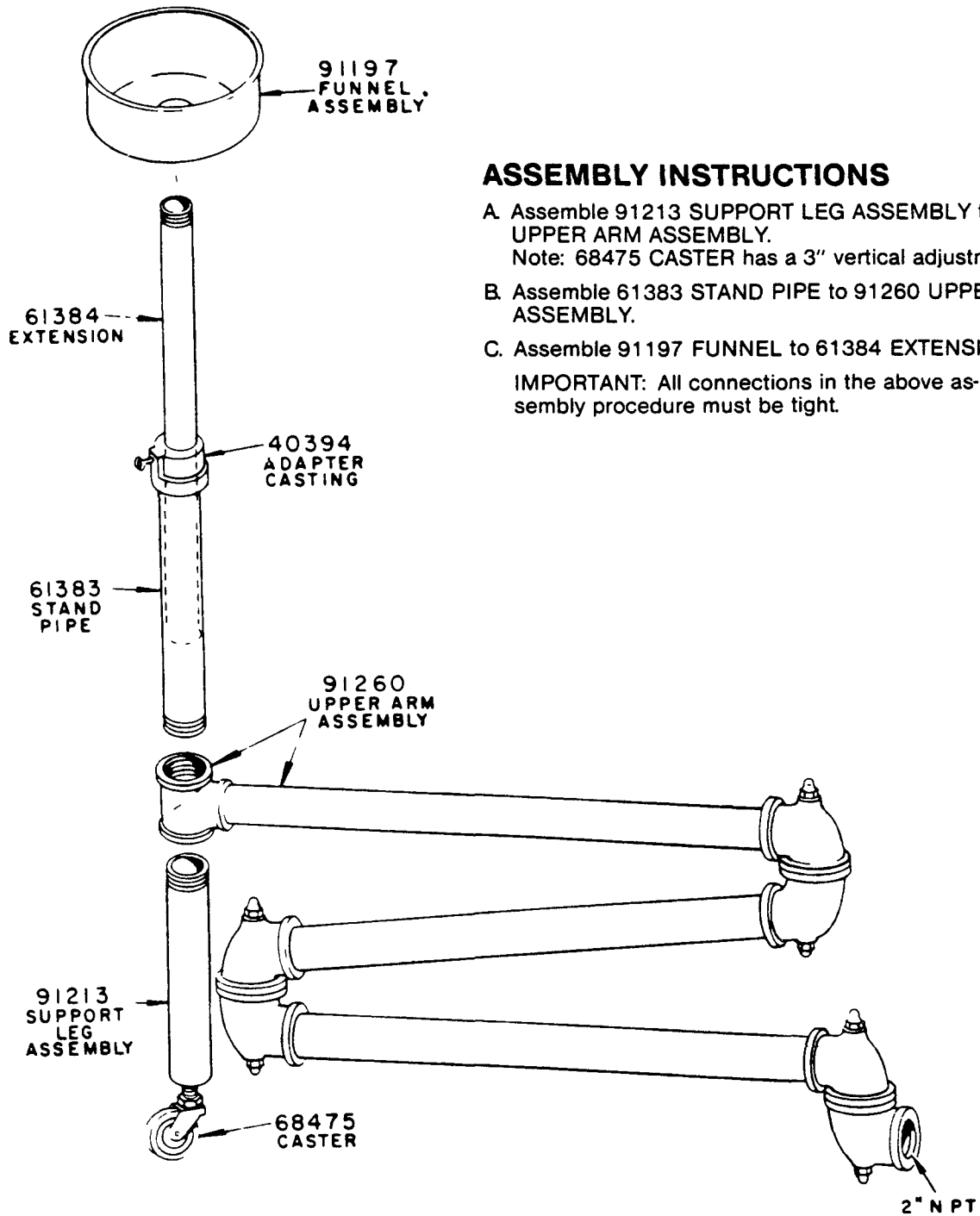


**MODEL 2722 DRAIN ARM ASSEMBLY**

The Model 2722 Drain Arm when extended has a reach of 7' - 9". The outlet casting for connecting to drain pipe, leading to Sump Tank has a 2" N.P.T. Female thread. Funnel can be adjusted in height from 48" to 72" above floor level by telescoping tubes and tightening thumb screw to hold in place. The funnel is 5" deep and 12-1/2" in diameter. It has a removable clover leaf strainer for catching any objects which may accidentally fall into the funnel.

The swiveling caster has a 3" vertical adjustment to allow for variation in the location of drain pipe connection.

© INDICATES CHANGE



## ASSEMBLY INSTRUCTIONS

- A. Assemble 91213 SUPPORT LEG ASSEMBLY to 91260 UPPER ARM ASSEMBLY.  
Note: 68475 CASTER has a 3" vertical adjustment.
  - B. Assemble 61383 STAND PIPE to 91260 UPPER ARM ASSEMBLY.
  - C. Assemble 91197 FUNNEL to 61384 EXTENSION.
- IMPORTANT: All connections in the above assembly procedure must be tight.

## REPAIR PARTS LIST

PART NO.	DESCRIPTION	PART NO.	DESCRIPTION	PART NO.	DESCRIPTION
10261	Acorn Nut	50702	5 16"-18 Thumb Screw	66092	Shakeproof Lockwasher
12871	Caster Bushing	51017	3.4"-16 Jam Nut	67224	Pipe Plug
32045	Gasket	57001	Catch Spring	68475	Caster
33075	Gasket	61383	Standpipe	91197	Funnel Assembly
33076	Gasket	61384	Extension	91213	Support Leg Assembly
34213	"O" Ring	63041	Tie Rod	91260	Upper Arm Assembly
40383	Outlet Casting	65594	Name Plate	91261	Drain Arm Assembly
40394	Adapter Casting	66081	Drive Screw		

### RETAIN THIS INFORMATION FOR FUTURE REFERENCE

When ordering replacement parts, list: Part Number, Description, Model Number, and Series Letter.

LINCOLN provides a Distributor Network that stocks equipment and replacement parts.