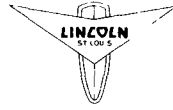
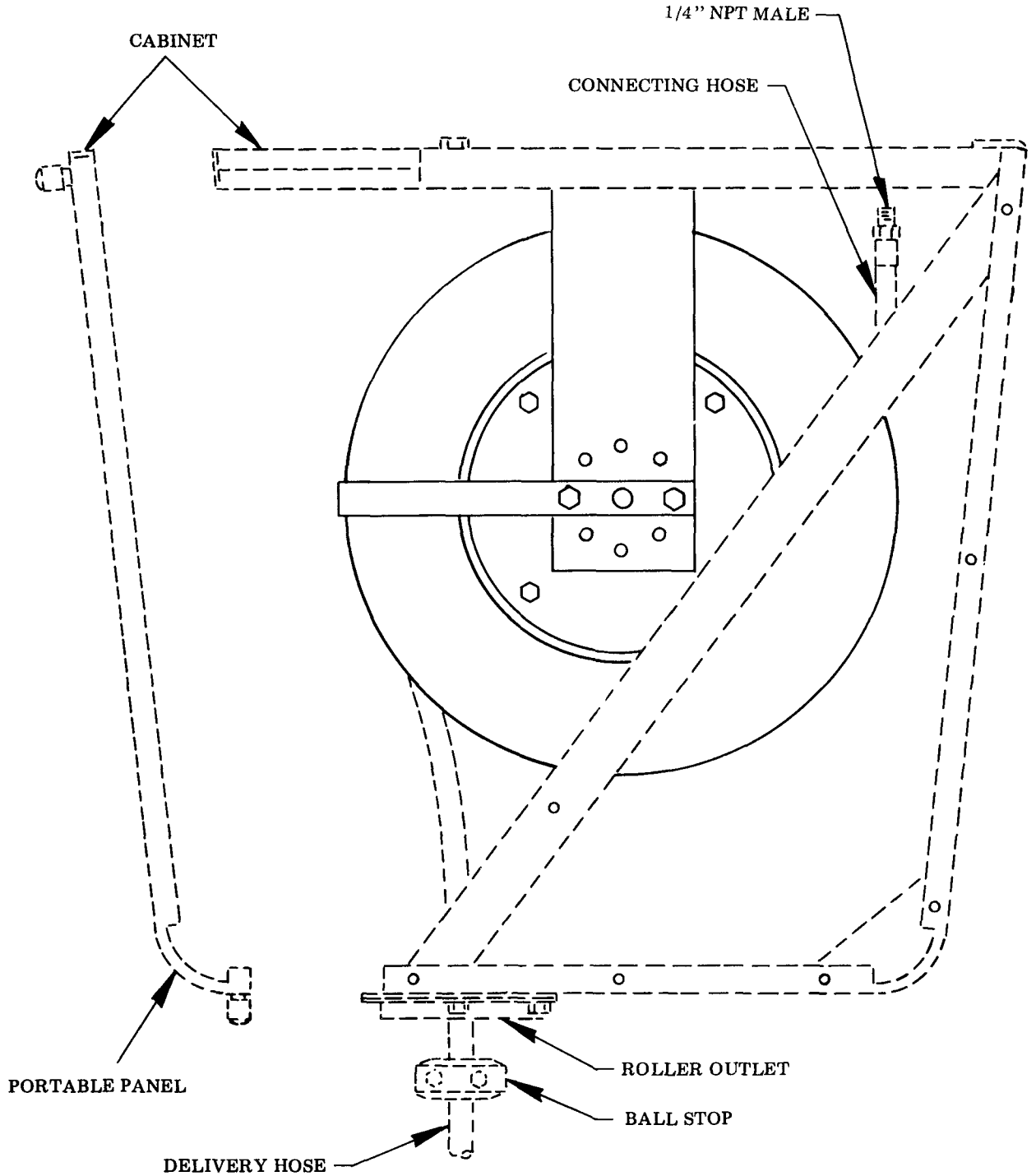


HOSE REEL



Model 83421



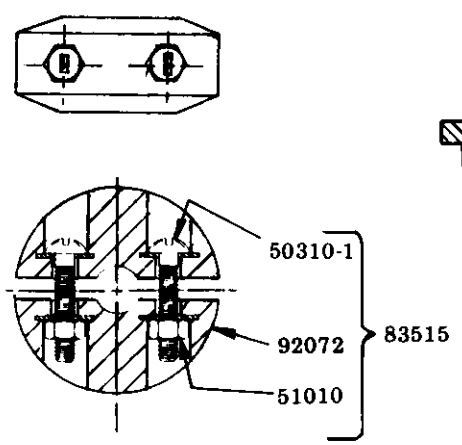
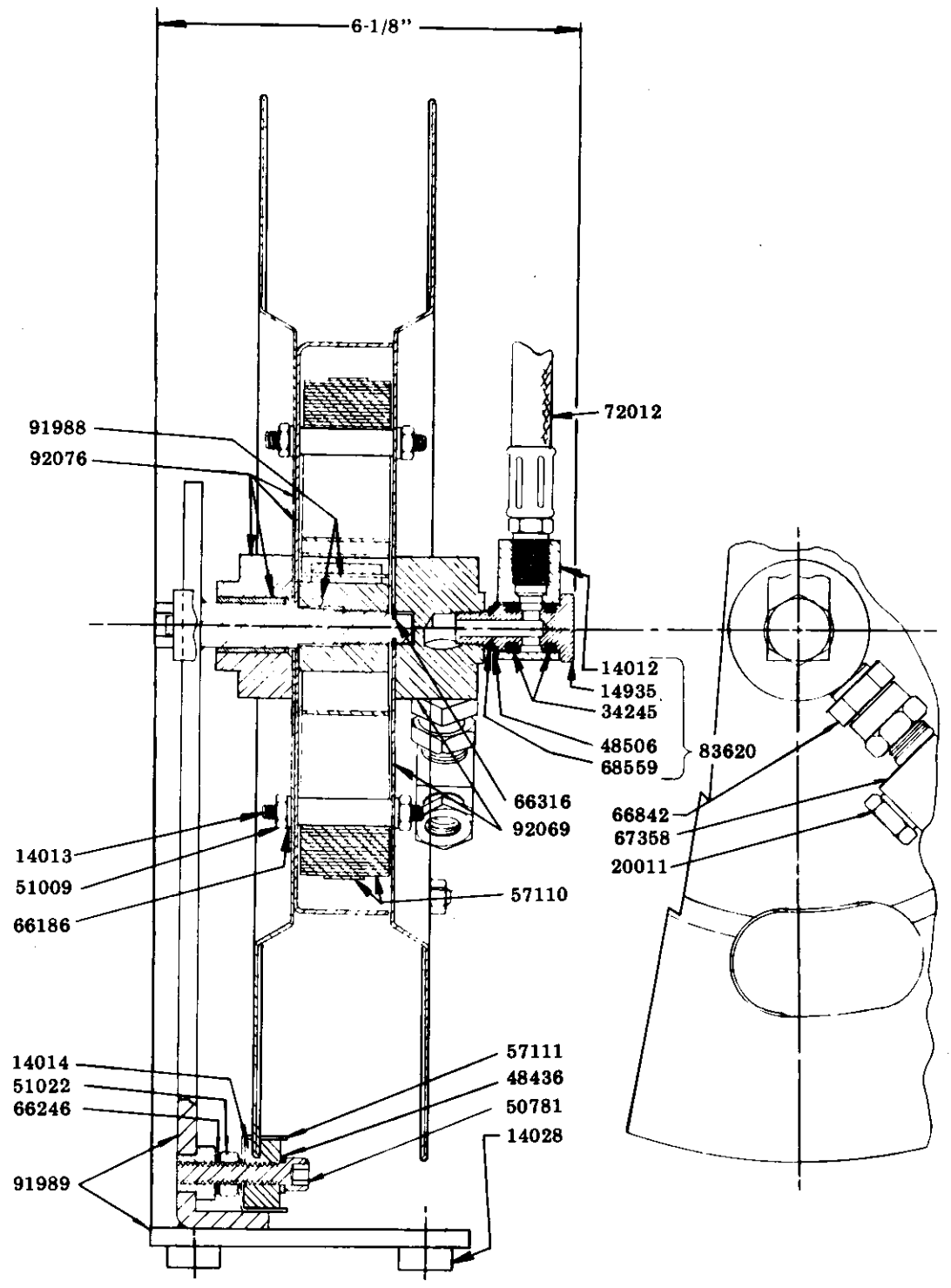
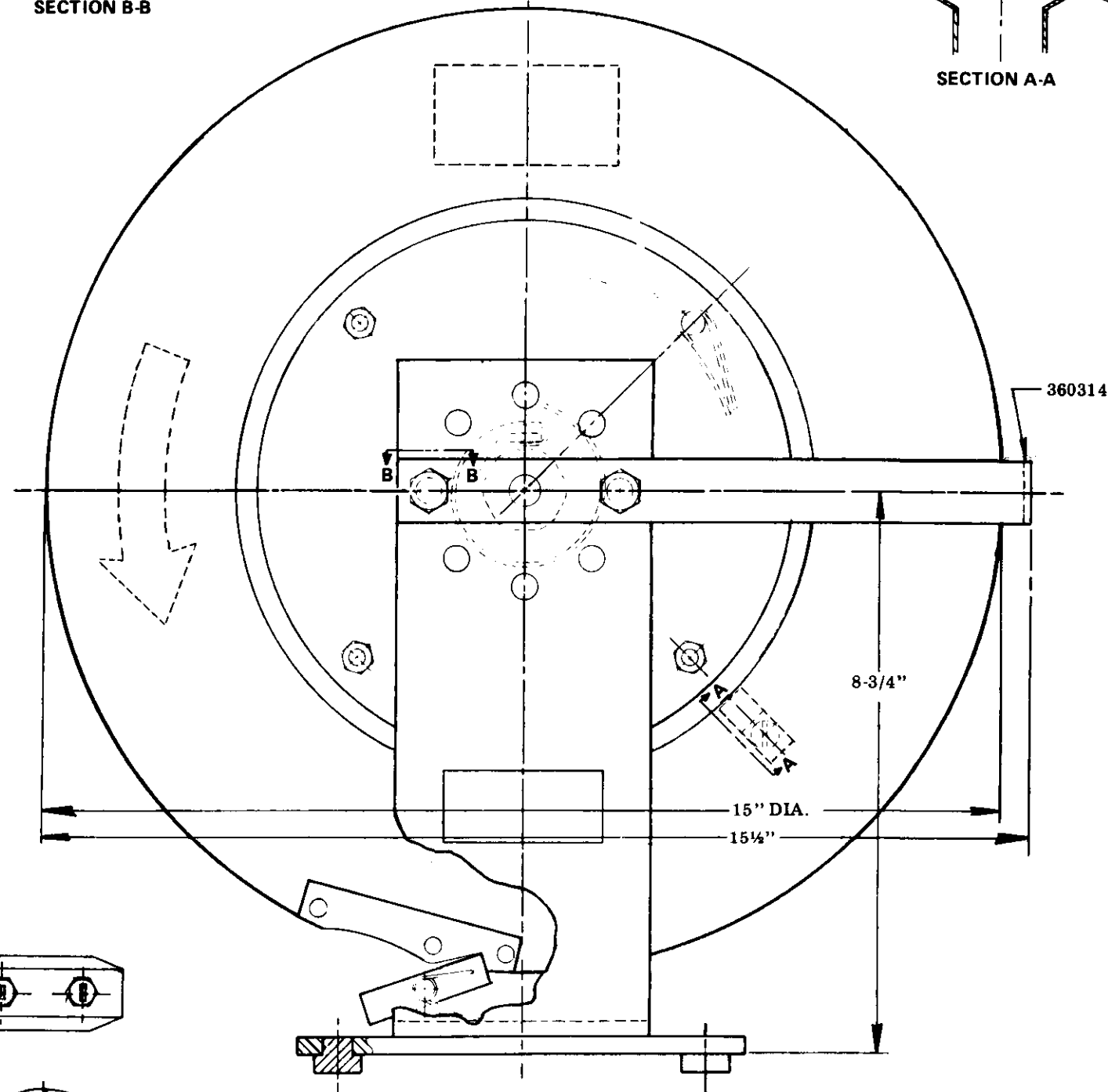
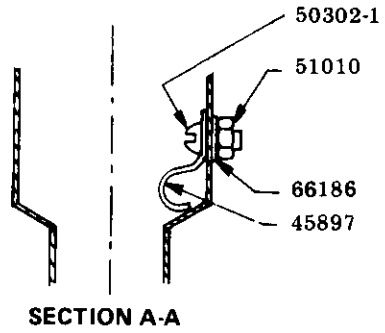
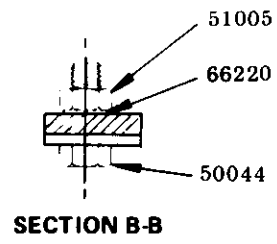
LINCOLN ST. LOUIS
4010 GOODFELLOW BLVD · ST LOUIS MO 63120 (314) 383 5900

A DIVISION OF
McNEIL
CORPORATION

SECTION - **E35**
PAGE - **31D**

CAUTION:
RELIEVE ALL POWER SPRING TENSION
BEFORE REMOVING SPRING HOUSING COVER.

NOTE:
The Power Spring is restrained by a Steel Retainer
band. For added safety the Power Spring should be
wired securely to the Retainer band in at least two
places before removal from Spring Housing.



Model 83421

SERVICE PARTS

PART NO.	QUAN.	DESCRIPTION
14012	1	Swivel Block
14013	4	Stud
14014	1	Latch
14028	4	Spacer
14935	1	Inlet Stud
20011	1	Bushing
34245	2	"O" - Ring
45897	1	Clip
48436	1	Washer
48506	1	Washer
50044	2	Screw
50302-1	1	Screw
50310-1	2	Screw
50781	1	Screw
51005	2	Nut
51009	8	Nut
51010	3	Nut
51022	1	Nut
57110	1	Power Spring
57111	1	Latch Spring
66186	9	Lockwasher
66220	2	Lockwasher
66246	1	Lockwasher
66316	1	Retaining Ring
66842	1	Adapter Union
67358	1	Elbow
68559	1	Retaining Ring
72012	1	Air Hose
83515	1	Ball Stop
83620	1	Swivel Assembly
91988	1	Arbor Assembly
91989	1	Base
92069	1	Sheave
92072	1	Ball Stop Half
92076	1	Sheave
360314	1	Angle Bracket

Cabinet and Mounting Rails
Refer to Service Manual,
Section E35, Page 35

RETAIN THIS INFORMATION FOR FUTURE REFERENCE

When ordering replacement parts, list: Part Number, Description, Model Number, and Series Letter.
LINCOLN ST. LOUIS provides a Distributor Network that stocks equipment and replacement parts.
A list of Authorized Service Departments will be furnished upon request.