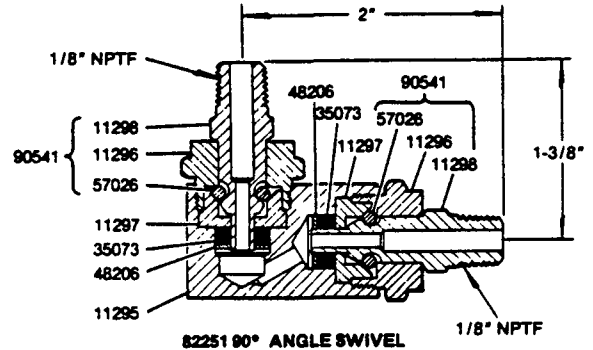
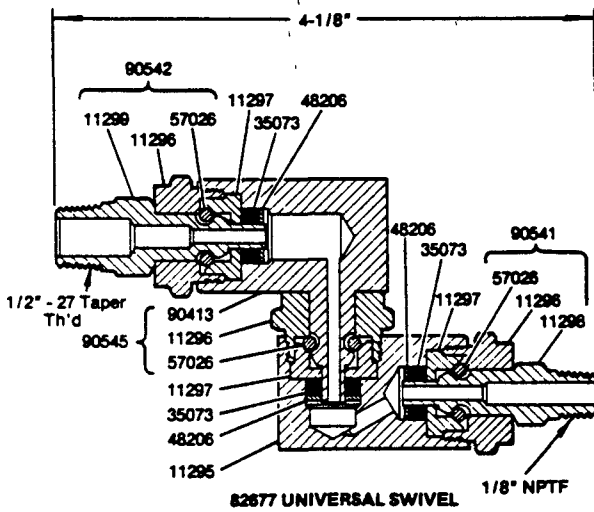
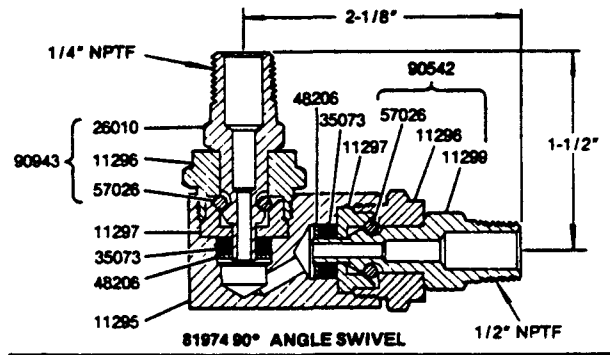
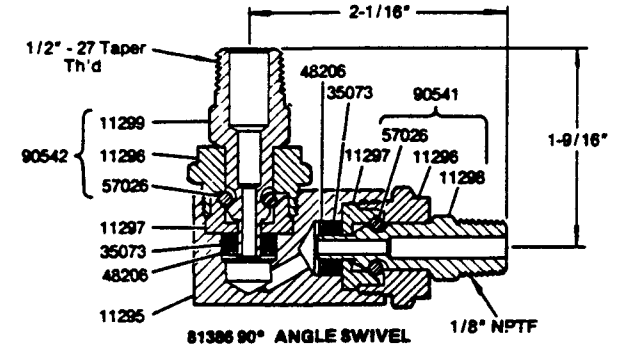
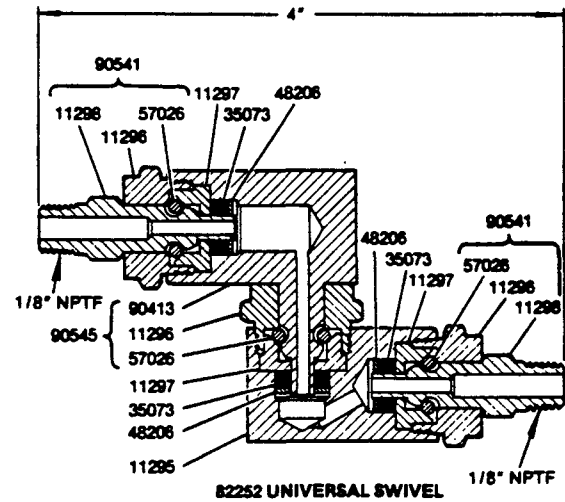
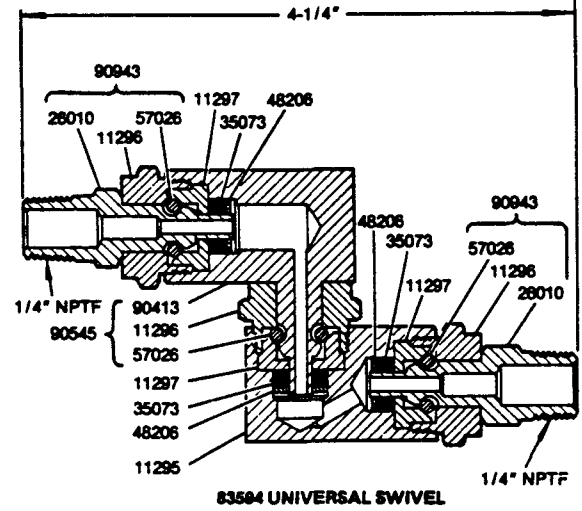
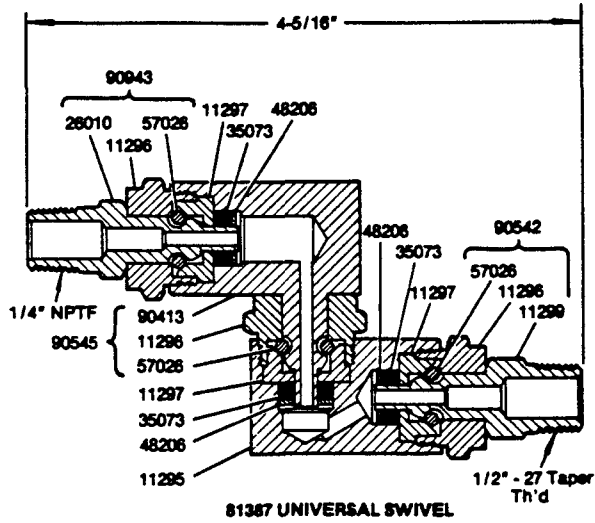
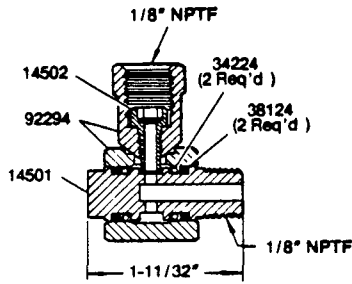


SWIVELS

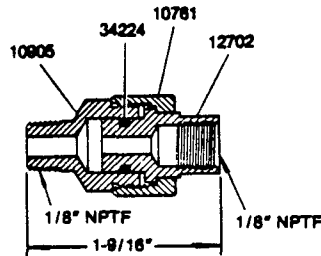


LINCOLN, One Lincoln Way
 St. Louis, Missouri 63120-1578
 (314) 679-4200 Customer Service, (314) 679-4300

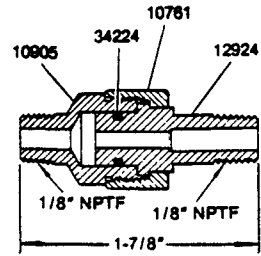
SECTION - F1
 PAGE - 2Q



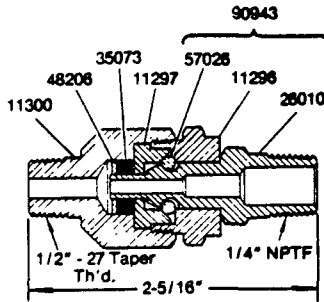
83822 SWIVEL



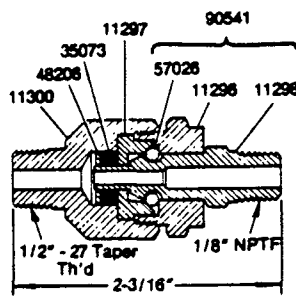
81808 STRAIGHT SWIVEL



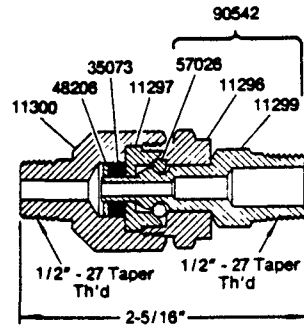
81703 STRAIGHT SWIVEL



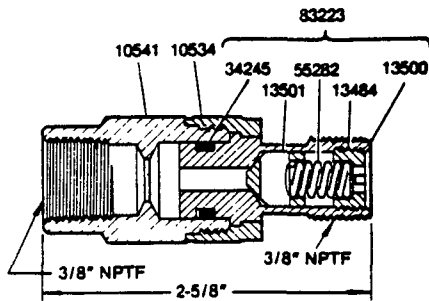
82399 STRAIGHT SWIVEL



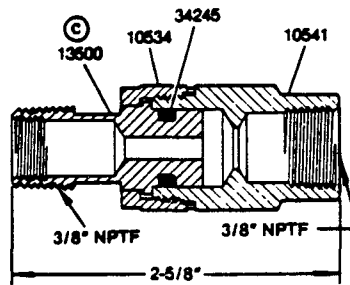
81388 STRAIGHT SWIVEL



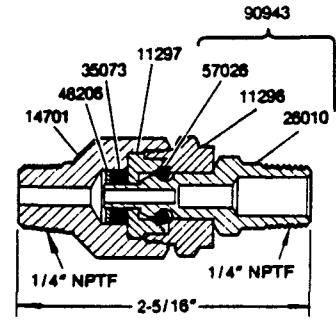
82080 STRAIGHT SWIVEL



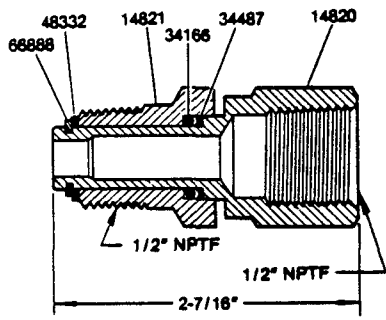
80924 CHECK AND SWIVEL



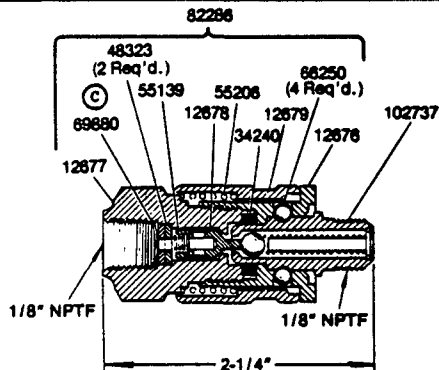
80353 STRAIGHT SWIVEL



83938 STRAIGHT SWIVEL



90484 SWIVEL (Low Pressure Volume)



82248 FLUID COUPLER & FITTING ASSEMBLY

© Indicates change

SERVICE PARTS

PART	DESCRIPTION	PART	DESCRIPTION
10534	Swivel collar	34224	O-ring packing
10541	Coupling adapter	34240	Packing
10781	Swivel end	34245	O-ring packing
10905	Male connector	34487	Back-up ring
11295	Swivel body	35073	Swivel packing
11296	Swivel nut	38124	Back-up ring
11297	Packing retainer	48206	Packing washer
11298	Swivel stud	48323	Washer
11299	Swivel stud	48332	Washer
11300	Swivel body	55139	Spring
12676	Ball housing	55206	Spring
12677	Coupler body	55282	Check spring
12678	Check	57026	Swivel retainer
12679	Sleeve	66250	Steel balls
12702	Swivel stud	66888	Retaining ring
12924	Swivel stud	69680	Spring seat
13484	Check seat	82286	Fluid coupler assembly
13500	Swivel stud	83223	Swivel stud assembly
13501	Check	90413	Swivel body assembly
14501	Swivel stud	90541	Swivel stud assembly
14502	Screw	90542	Swivel stud assembly
14701	Swivel body	90545	Swivel stud assembly
14820	Swivel stud	90943	Swivel stud assembly
14821	Swivel body	92294	Swivel body assembly
26010	Swivel stud	102737	Fitting assembly
34166	O-ring		