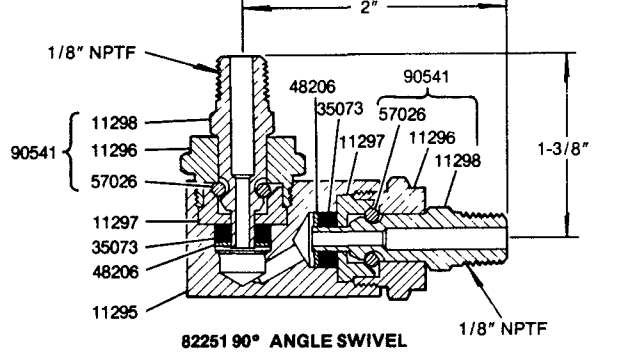
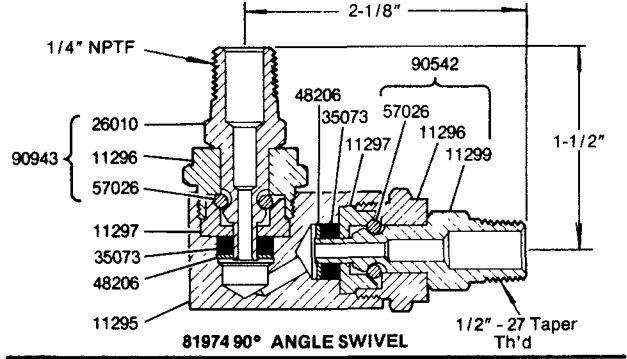
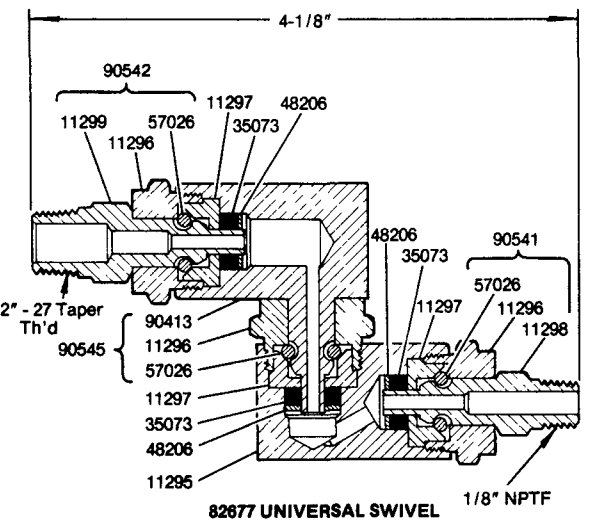
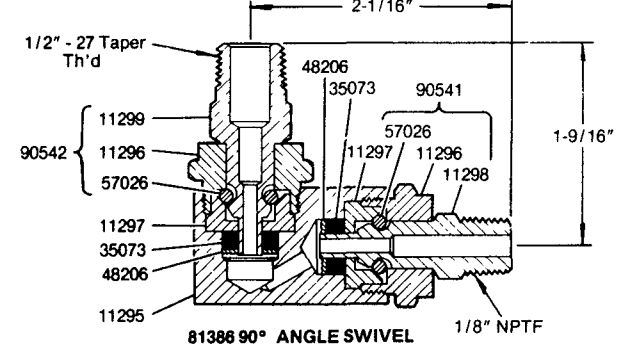
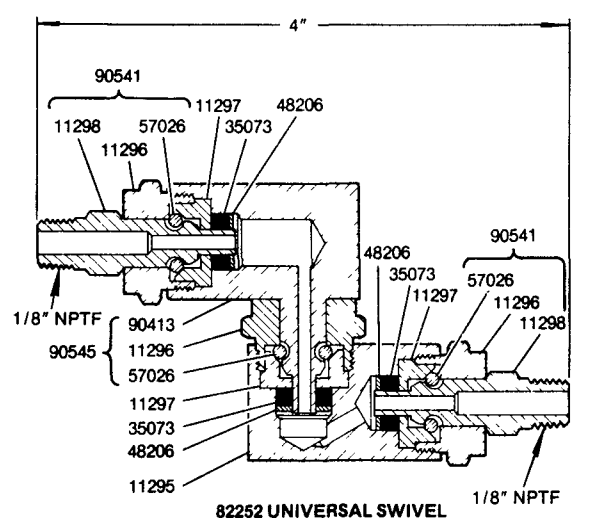
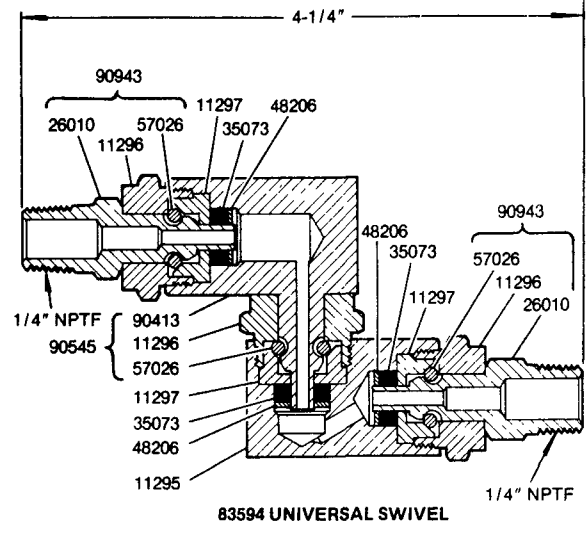
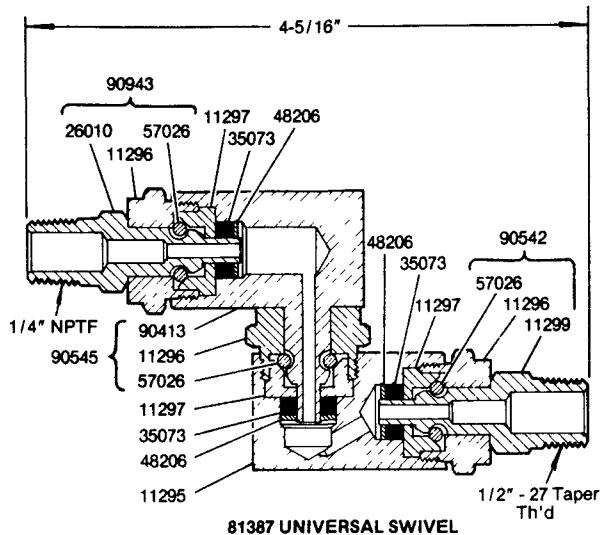


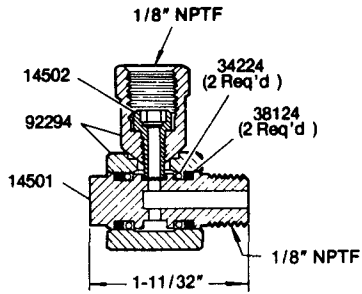
# SWIVELS



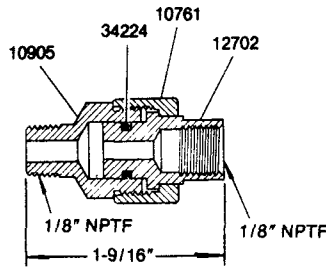
**LINCOLN**  
A DIVISION OF  
McNEIL CORPORATION

One Lincoln Way  
St. Louis, MO 63120-1578  
(314) 679-4200

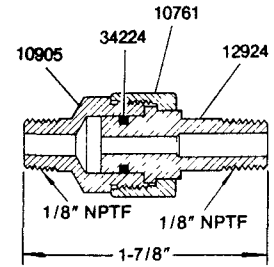
SECTION - **F1**  
PAGE - **2R**



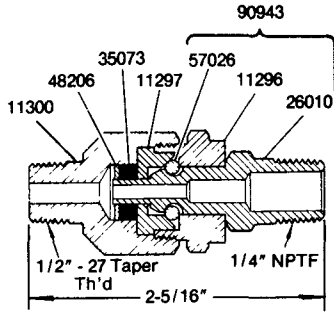
83822 SWIVEL



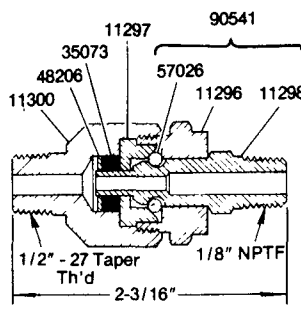
81606 STRAIGHT SWIVEL



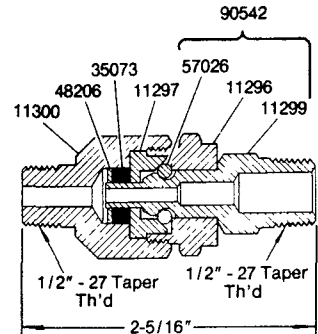
81703 STRAIGHT SWIVEL



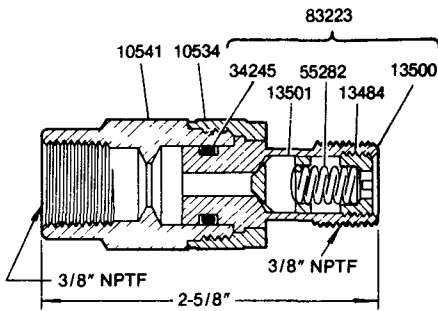
82399 STRAIGHT SWIVEL



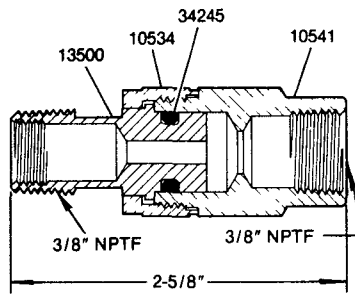
81388 STRAIGHT SWIVEL



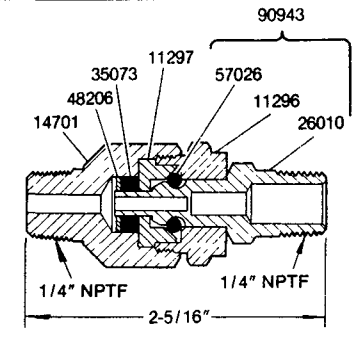
82080 STRAIGHT SWIVEL



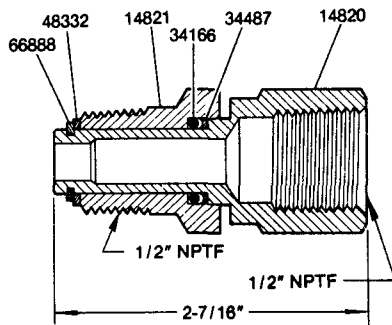
80924 CHECK AND SWIVEL



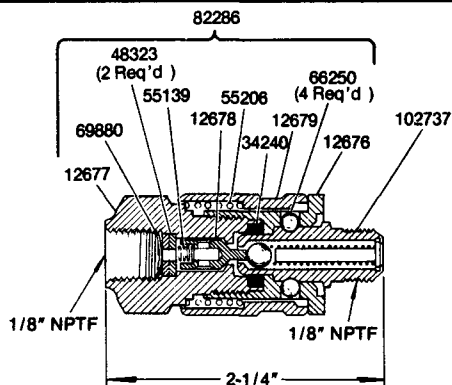
80353 STRAIGHT SWIVEL



83938 STRAIGHT SWIVEL



90464 SWIVEL (Low Pressure Volume)



82249 FLUID COUPLER & FITTING ASSEMBLY

### SERVICE PARTS

PART	DESCRIPTION	PART	DESCRIPTION
10534	Swivel collar	34224	O-ring packing
10541	Coupling adapter	34240	Packing
10761	Swivel end	34245	O-ring packing
10905	Male connector	34487	Back-up ring
11295	Swivel body	35073	Swivel packing
11296	Swivel nut	38124	Back-up ring
11297	Packing retainer	48206	Packing washer
11298	Swivel stud	48323	Washer
11300	Swivel body	48332	Washer
12676	Ball housing	55139	Spring
12677	Coupler body	55206	Spring
12678	Check	55282	Check spring
12679	Sleeve	57026	Swivel retainer
12702	Swivel stud	66250	Steel balls
12924	Swivel stud	66888	Retaining ring
13484	Check seat	69880	Spring seat
13500	Swivel stud	82286	Fluid coupler assembly
13501	Check	83223	Swivel stud assembly
14501	Swivel stud	90413	Swivel body assembly
14502	Screw	90541	Swivel stud assembly
14701	Swivel body	90542	Swivel stud assembly
14820	Swivel stud	90545	Swivel stud assembly
14821	Swivel body	90943	Swivel stud assembly
14822	Swivel body	92294	Swivel body assembly
16010	Swivel stud	102737	Fitting assembly
34166	O-ring		