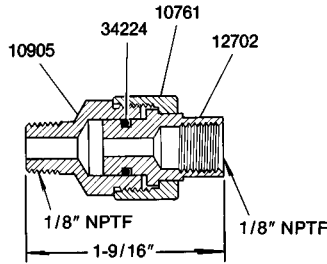
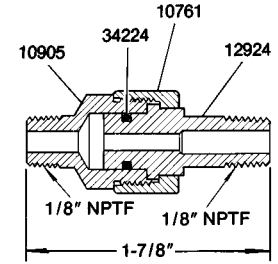


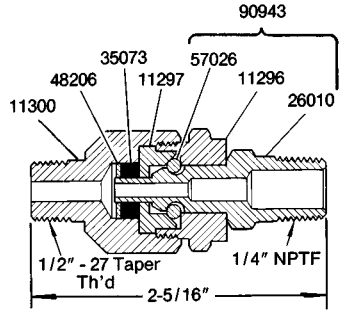
83822 SWIVEL



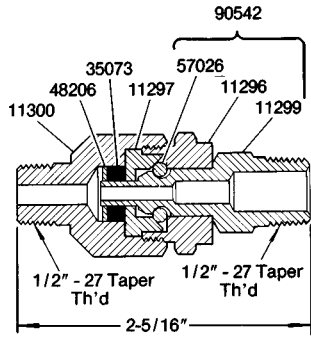
81606 STRAIGHT SWIVEL



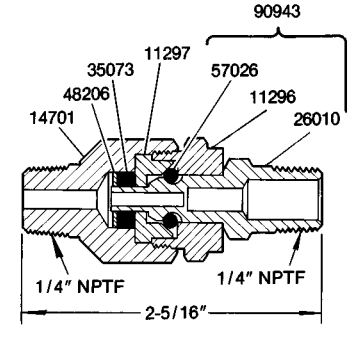
81703 STRAIGHT SWIVEL



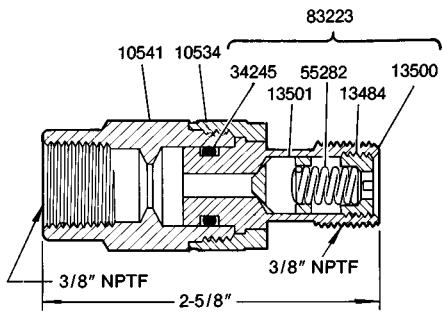
82399 STRAIGHT SWIVEL



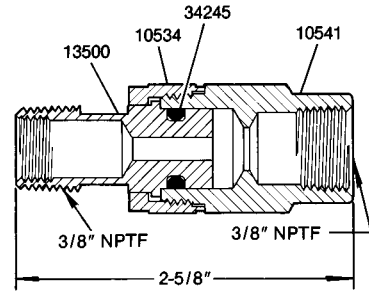
82080 STRAIGHT SWIVEL



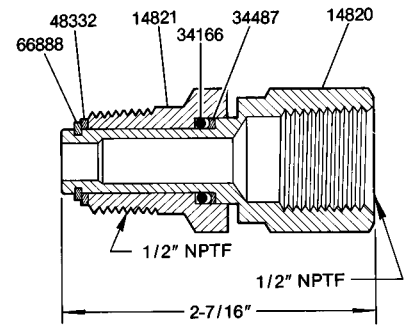
83938 STRAIGHT SWIVEL



80924 CHECK AND SWIVEL



80353 STRAIGHT SWIVEL



90464 SWIVEL (Low Pressure Volume)

SERVICE PARTS

PART	DESCRIPTION	PART	DESCRIPTION	PART	DESCRIPTION	PART	DESCRIPTION
10534	Swivel collar	12702	Swivel stud	26010	Swivel stud	57026	Swivel retainer
10541	Coupling adapter	12924	Swivel stud	34166	O-ring	66888	Retaining ring
10761	Swivel end	13484	Check seat	34224	O-ring packing	83223	Swivel stud assembly
10905	Male connector	13500	Swivel stud	34245	O-ring packing	90413	Swivel body assembly
11295	Swivel body	13501	Check	34487	Back-up ring	90541	Swivel stud assembly
11296	Swivel nut	14501	Swivel stud	35073	Swivel packing	90542	Swivel stud assembly
11297	Packing retainer	14502	Screw	38124	Back-up ring	90545	Swivel stud assembly
11298	Swivel stud	14701	Swivel body	48206	Packing washer	90943	Swivel stud assembly
11299	Swivel stud	14820	Swivel stud	48332	Washer	92294	Swivel body assembly
11300	Swivel body	14821	Swivel body	55282	Check spring		

Americas:
 One Lincoln Way
 St. Louis, MO 63120-1578
 USA
 Phone +1.314.679.4200
 Fax +1.800.424.5359

Europe/Africa:
 Heinrich-Hertz-Str 2-8
 D-69183 Walldorf
 Germany
 Phone +49.6227.33.0
 Fax +49.6227.33.259

Asia/Pacific:
 25 Int'l Business Park
 #01-65 German Centre
 Singapore 609916
 Phone +65.562.7960
 Fax +65.562.9967

© Copyright 2002
 Printed in USA
 Web site:
 www.lincolnindustrial.com