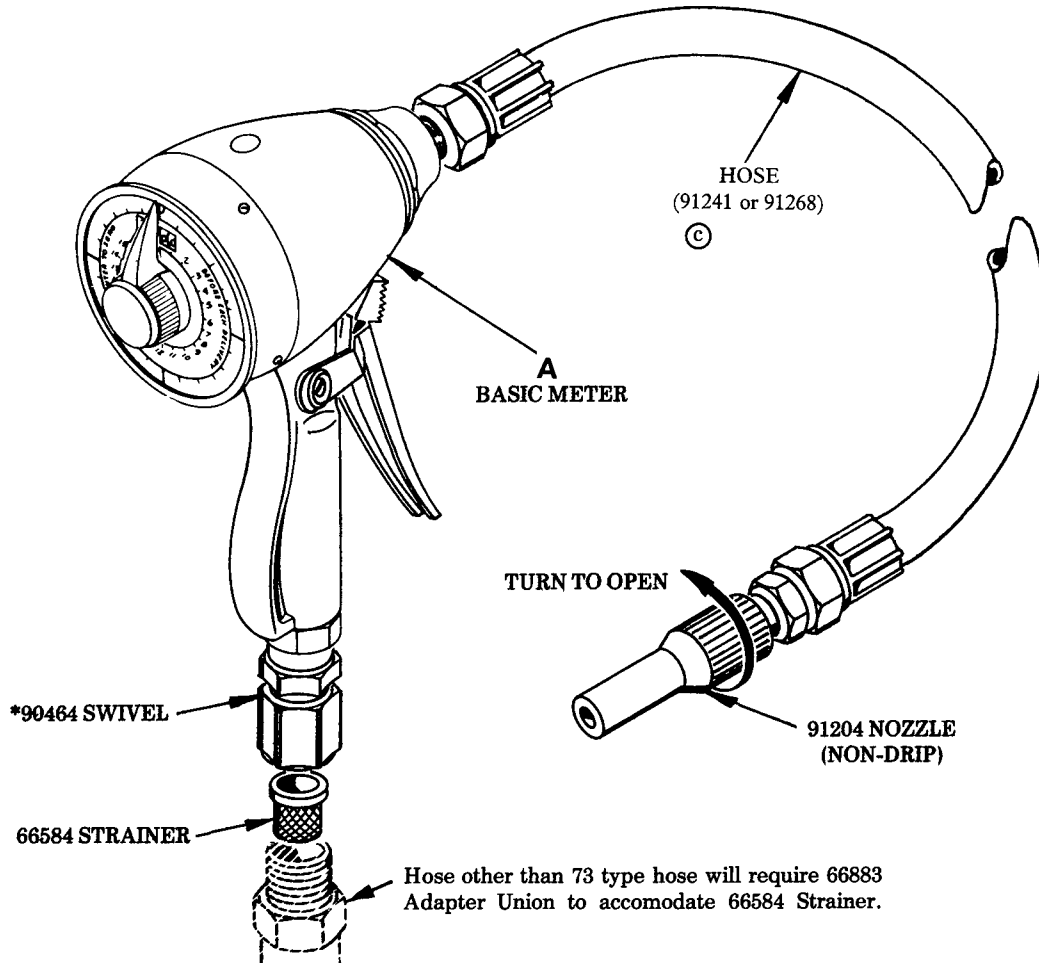


1000 PSI MAXIMUM OPERATING PRESSURE  
AND 4 GPM MAXIMUM FLOW.  
2-1/2 GPM RECOMMENDED FOR ACCURACY.

#883

# METERING CONTROL VALVES



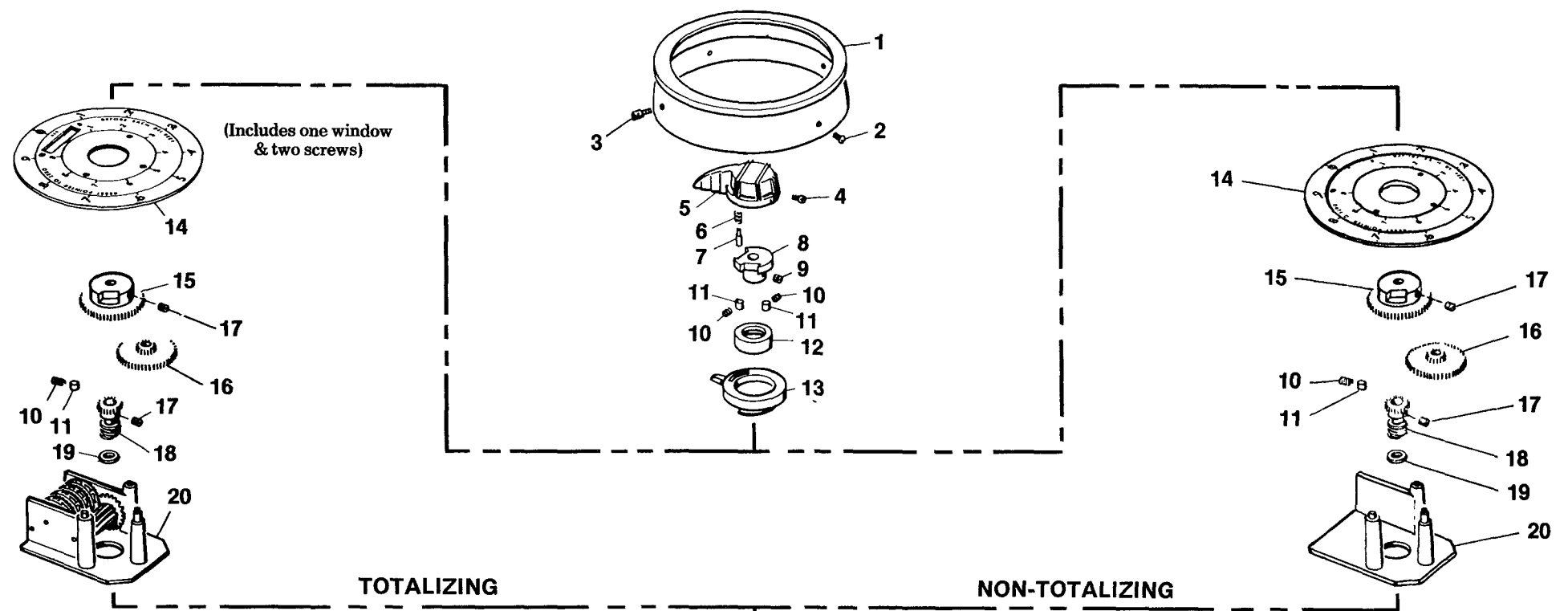
© Indicates change

MODEL	USE	MEASURE	A	NOZZLE ASSEMBLY	
883 2883	A.T.F.	Quart	68410	82415	
		Quart	68584	91204	91268 (20" Long)
877 899 2877 867	OIL	Quart	68410	82258	
		Litre	70502 ©		
		Quart	68584	91204	91241 © (12" Long)
		Gallon	68499		

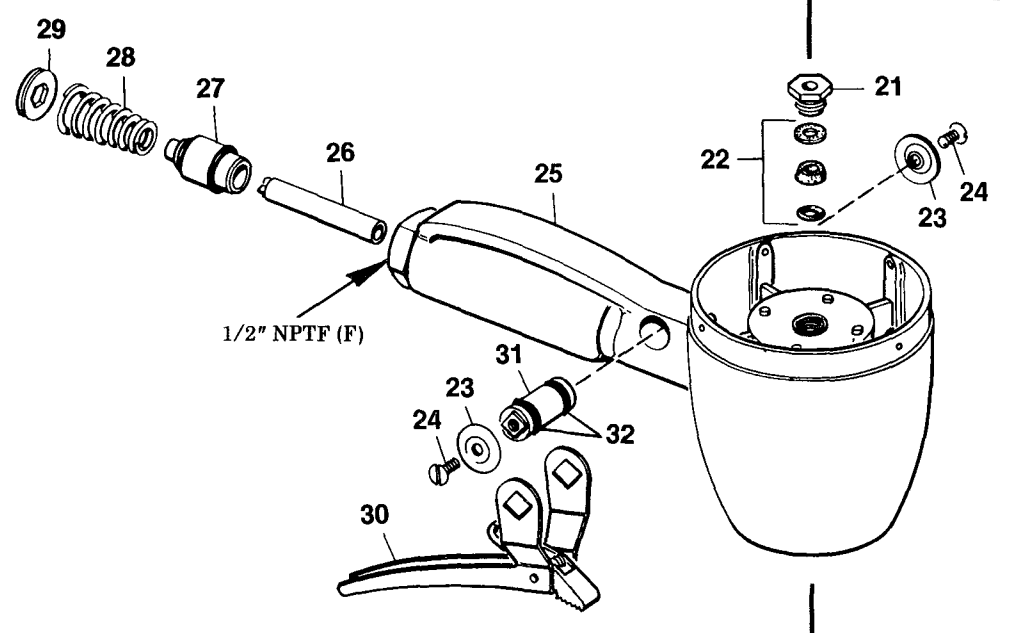
**LINCOLN**  
A DIVISION OF  
McNEIL CORPORATION

One Lincoln Way  
St. Louis, MO 63120-1578  
(314) 679-4200

SECTION - **F21**  
PAGE - **13K**

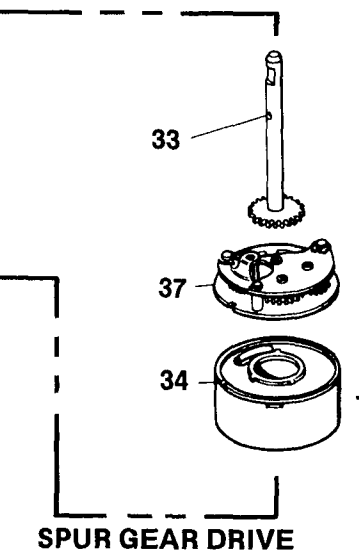
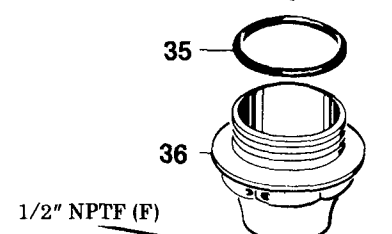
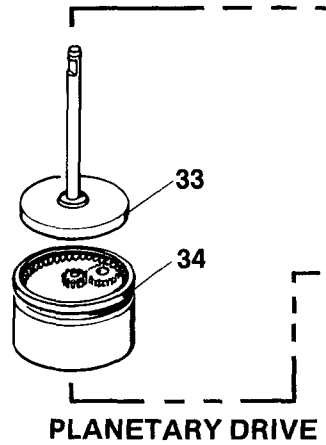
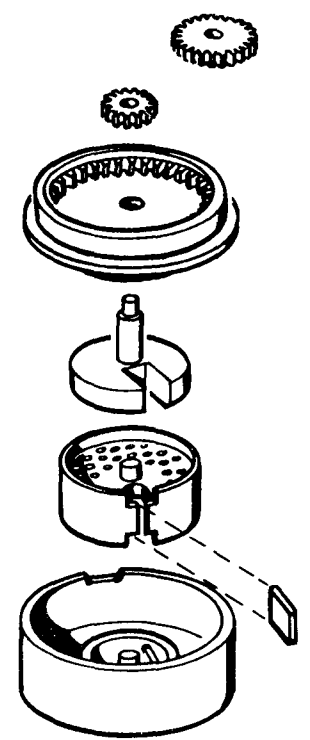


**METERING CONTROL VALVES**

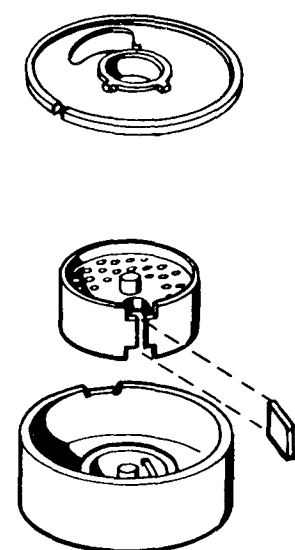


**IMPORTANT:**  
 BEFORE METER CAN BE PLACED IN SERVICE "AFTER REPAIR",  
 METER MUST BE TESTED AND APPROVED IN ACCORDANCE WITH  
 U.S. GOVERNMENT'S WEIGHTS AND MEASURES STANDARDS.

ASSEMBLY ORDER  
 PARTS NOT AVAILABLE SEPARATELY



ASSEMBLY ORDER  
 PARTS NOT AVAILABLE SEPARATELY



ITEM	DESCRIPTION	MODEL						
		877	883	867	899	2877	2883	
		U.S. QUARTS (OIL)	U.S. QUARTS (A.T.F.)	U.S. GALLONS (OIL)	LITRES (OIL)	U.S. QUARTS (OIL)	U.S. QUARTS (A.T.F.)	
1	Shroud (Chrome Plated)	68410-12	68410-12	68410-12	70502-1	68410-12	68410-12	
2	Shroud screw	*66871-5 (2)						
3	Shroud seal screw	*66871-124 (2)						
4	Set screw	*66871-1	66871-1	66871-1 (2)	66871-1	66871-1	66871-1	
5	Reset knob	*66871-123						
6	Plunger spring	*66871-8						
7	Plunger	*66871-9						
8	Reset lock cam	*66871-95						
9	Set screw	*50540						
10	Clutch spring	*66871-3 (3)						
11	Clutch roller	*66871-4 (3)						
12	Clutch retaining sleeve	*66871-98						
13	Inner circle pointer	*66871-53						
14	Dial & window assembly	68410-26	68410-26	68499-31	69235	66871-114	66871-114	
15	Inner circle pointer cam	66871-50	66871-50	68499-30	68499-30	66871-50	66871-50	
16	Inner circle pointer gear	66871-17	66871-17	68499-29	66871-134	66871-17	66871-17	
17	Set screw	50541 (2)	50541 (2)	NA	50541 (2)	50541 (2)	50541 (2)	
18	Upper driving pawl worm gear	66871-54	66871-54	66871-155	68602-7	66871-125	66871-125	
19	Washer	*66871-116						
20	Register assembly	69795-3	69795-3	68602-8	68602-8	66871-56	66871-56	
21	Packing box gland nut	*66871-23						
22	Packing kit	*66871-33						
23	Washer	*68410-3 (2)						
24	Screw	*68410-2 (2)						
25	Housing	68410-13	68410-13	68410-13	68602-9	68410-13	68410-13	
26	Valve sleeve assembly	*68410-6						
27	Valve seat assembly	*68410-25						
28	Spring	*68410-10						
29	Spring retainer	*68410-11						
30	Valve trigger assembly	*68410-1						
31	Cam	*68410-5						
32	O-ring	*68410-4 (2)						
33	Upper driving pawl gear assembly	66871-111	66871-111	66871-111	66871-138	66871-111	66871-111	
34	Chamber & piston assembly	68410-15	68410-15	68410-15	66871-150	68410-15	66871-15	
35	Housing cap gasket	*66871-12						
36	Housing cap	*68410-14						
37	Spur gear train assembly	NA	NA	NA	66871-136	NA	NA	
		<b>GEAR DRIVE</b>	<b>PLANETARY</b>	<b>PLANETARY</b>	<b>PLANETARY</b>	<b>SPUR</b>	<b>PLANETARY</b>	<b>PLANETARY</b>
						<b>TOTALIZING</b>	<b>NON-TOTALIZING</b>	

\*Part Number Typical For All Models Listed.

Quantity Indicated In Parenthesis.

**RETAIN THIS INFORMATION FOR FUTURE REFERENCE**

When ordering replacement parts, list: Part Number, Description, Model Number, and Series Letter.  
**LINCOLN ST. LOUIS** provides a Distributor Network that stocks equipment and replacement parts.  
 A list of Authorized Service Departments will be furnished upon request.