

# CONTROL VALVE

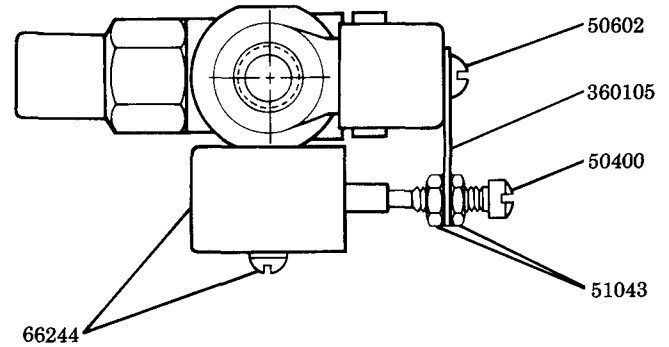
3000 PSI MAX. OPERATING PRESSURE



# Models 81437 82330

## MAINTENANCE

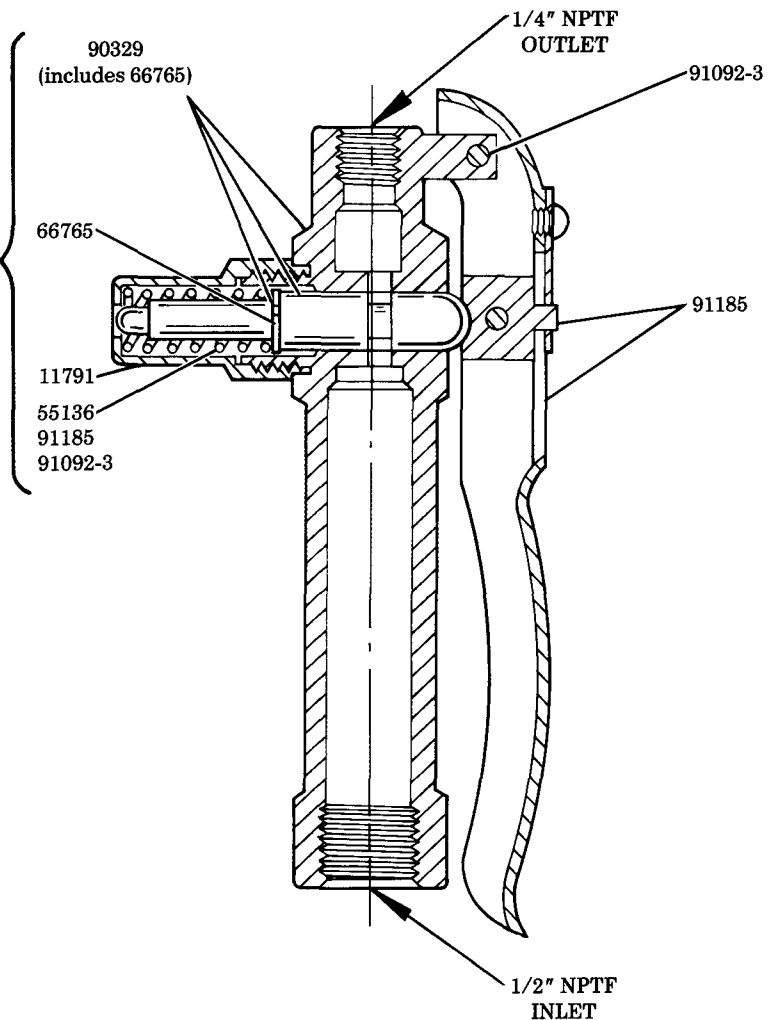
If material continues to flow from control valve when handle is released, the 90329 Body & Plunger Assembly is worn, scored or damaged. Body & plunger should be replaced.



- 50400
- 50602
- 51043
- 66244
- 360105

**MODEL 81437  
CONTROL VALVE  
w/ MICRO-SWITCH**

**MODEL  
82330  
CONTROL  
VALVE**



## SERVICE PARTS

PART	QUAN.	DESCRIPTION
11791	1	Spring housing
50400	1	Screw
50602	1	Screw
51043	2	Nut
55136	1	Spring
66244	1	Micro-switch assembly
66765	1	Retaining ring
90329	1	Body & plunger assembly
91092-3	1	Fastener pin
91185	1	Handle assembly
360105	1	Trip plate

**LINCOLN ST. LOUIS**  
4010 GOODFELLOW BLVD · ST. LOUIS MO 63120 · (314) 383 5900



A DIVISION OF  
**McNEIL**  
CORPORATION

SECTION - **F 21**  
PAGE - **16A**