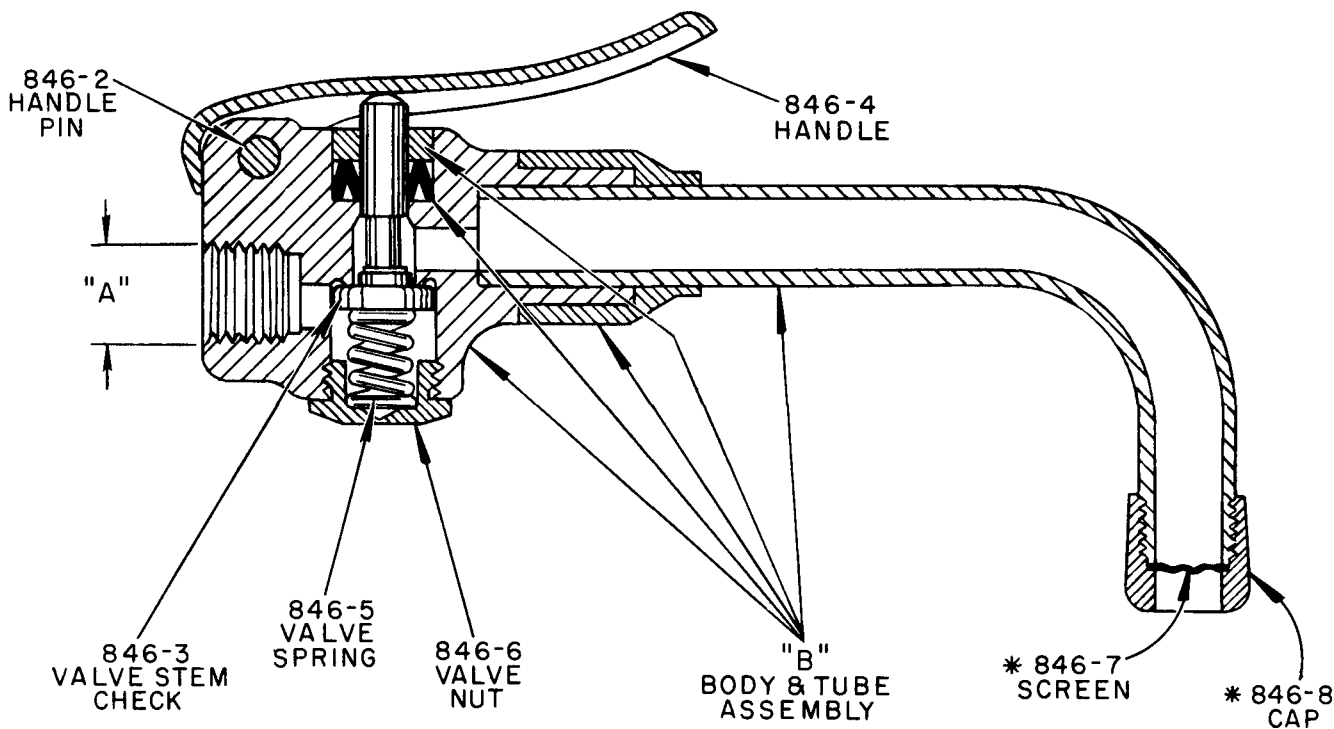




WATER BIBB COCKS

PARTS AND SERVICE



* NOT USED WITH MODELS 68821 & 68822

	MODEL	"A"	"B"
METAL NOZZLE	845	3/4"-1 1/2 Lawn Hose Th'd	845-I
METAL NOZZLE	846	1/4" N.P. Th'd	846-I
RUBBER NOZZLE	68821	1/4" N P. Th'd.	68821-I
RUBBER NOZZLE	68822	3/4"-1 1/2 Lawn Hose Th'd.	68822-I

If Water Bibb Cock does not shut off flow of water, remove the 846-3 Valve Stem Check. If worn or damaged, replace. Leak may also develop around Stem if "V" Packing is worn. Replace the Body and Tube Assembly.

REPAIR PARTS LIST

PART NO.	DESCRIPTION	PART NO.	DESCRIPTION
845-1	Body and Tube Assembly	846-6	Valve Nut
846-1	Body and Tube Assembly	846-7	Screen
846-2	Handle Pin	846-8	Tube Cap
846-3	Valve Stem Check	68821-1	Body and Tube Assembly
846-4	Handle	68822-1	Body and Tube Assembly
846-5	Valve Spring		