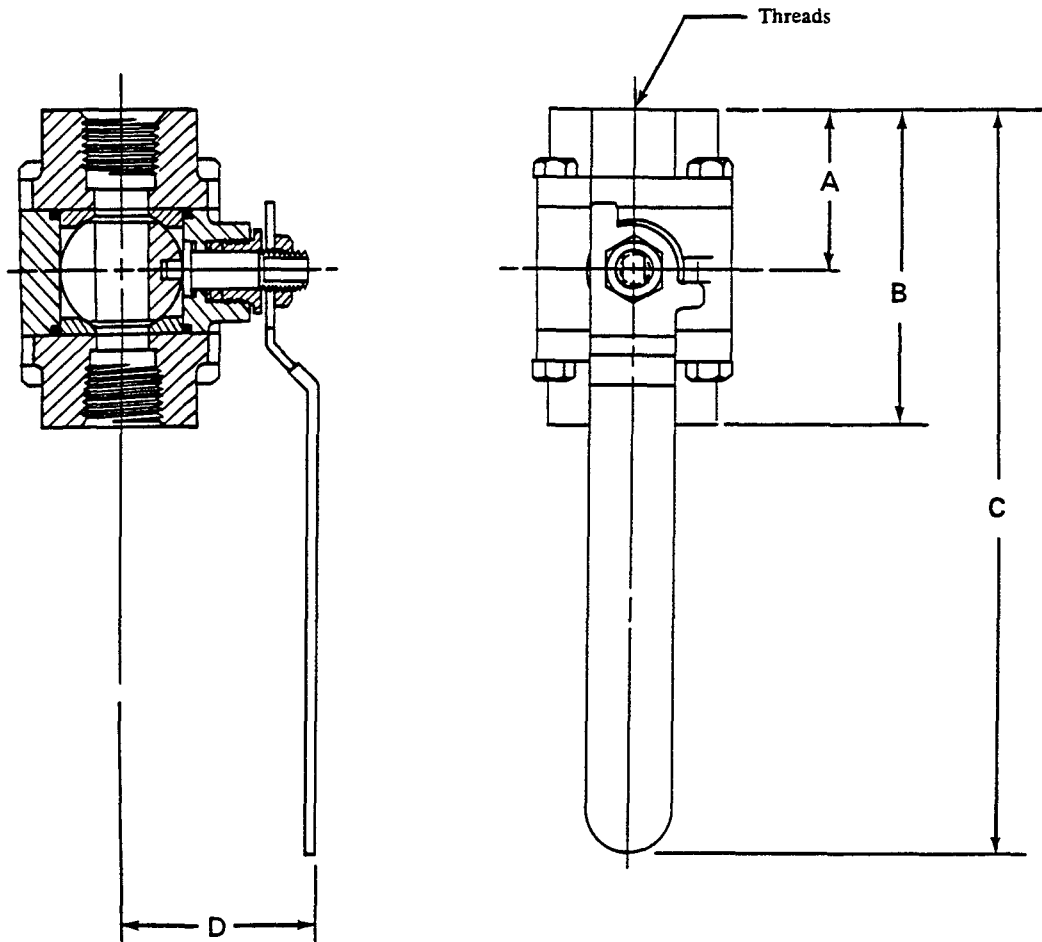


CARBON STEEL



MODEL	Cv Capacity @ 1 Psig	A	B	C	D	THREADS
66499	6 GPM	1.28	2.56	6.03	1.63	3/8 NPT
69503	8 GPM	1.28	2.56	6.03	1.63	1/2 NPT
69425	12 GPM	1.40	2.81	6.15	2.00	3/4 NPT
69423	29 GPM	1.84	3.68	7.59	2.88	1 NPT
69422	60 GPM	2.26	4.53	10.14	3.50	1 1/2 NPT

NOTE:
All Valves have 3000 psig
operating pressure.

Cv is a flow coefficient for valves. It expresses valve capacity in terms of the flow rate in GPM of 60° F water with a one PSI pressure drop across the valve.

WARNING: WHEN WELDING THE ADAPTER ENDS TO PIPE, BE SURE THE VALVE BODY IS REMOVED FROM THE LINE TO AVOID HEAT DISTORTION OF SEATS AND SEALS.