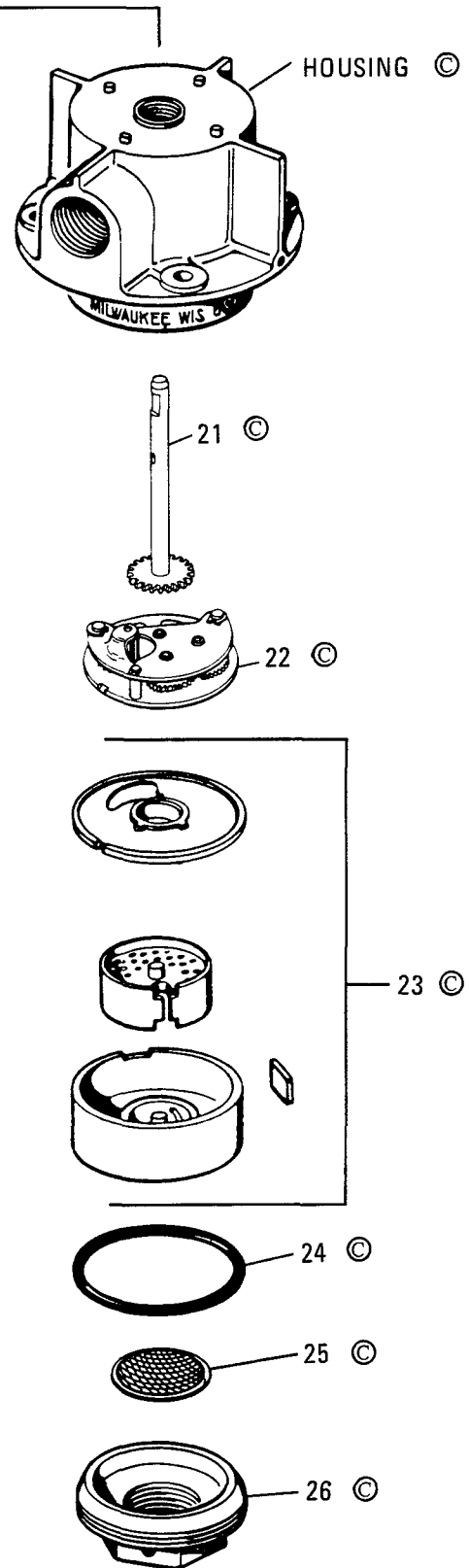
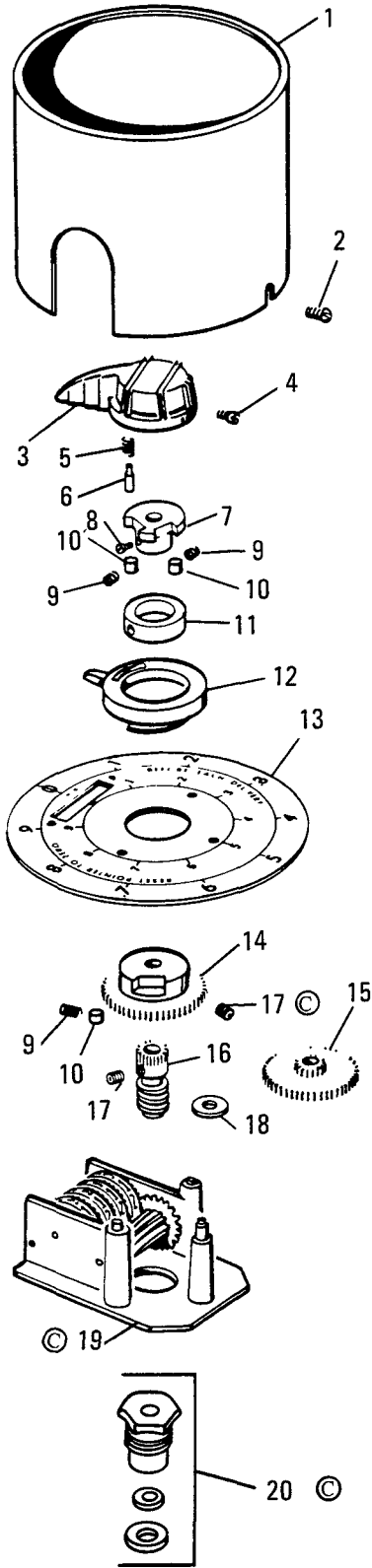


TOTALIZING 1,000 PSI MAX. OPERATING PRESSURE



© Indicates Change

ITEM	DESCRIPTION	MODELS		
		871	873	70500
		QUARTS	LITER	LITER
1	Shroud	*66871-13		
2	Screw	*66871-5 (2)		
3	Knob	*66871-123		
4	Set screw	*66871-1		
5	Spring	*66871-8		
6	Pin	*66871-9		
7	Cam	*66871-95		
8	Set screw	*50540		
9	Spring	*66871-3		
10	Clutch roller	*66871-4		
11	Retainer sleeve	*66871-98		
12	Pointer	*66871-53		
13	Dial assembly	68410-26	69235	69235
14	Cam	66871-50	68499-30	68499-30
15	Gear	66871-17	66871-134	66871-134
16	Worm	66871-54	68602-7	68602-7
17	Set screw	*50541		
18	Spacer	*69304-23		
19	Totalizer	69795-3	68602-8	68602-8
20	Packing gland kit	*237388		
21	Spindel	66871-111	66871-138	66871-138
22	Gear train assembly		66871-136	66871-136
23	Chamber assembly	66871-25	66871-137	66871-37
24	"O" ring	*66871-12		
25	Screen	*66871-92		
26	Housing cap	*41204		

*Part number same for all model listed

RETAIN THIS INFORMATION FOR FUTURE REFERENCE

When ordering replacement parts, list: Part Number, Description, Model Number, and Series Letter.

LINCOLN provides a Distributor Network that stocks equipment and replacement parts.