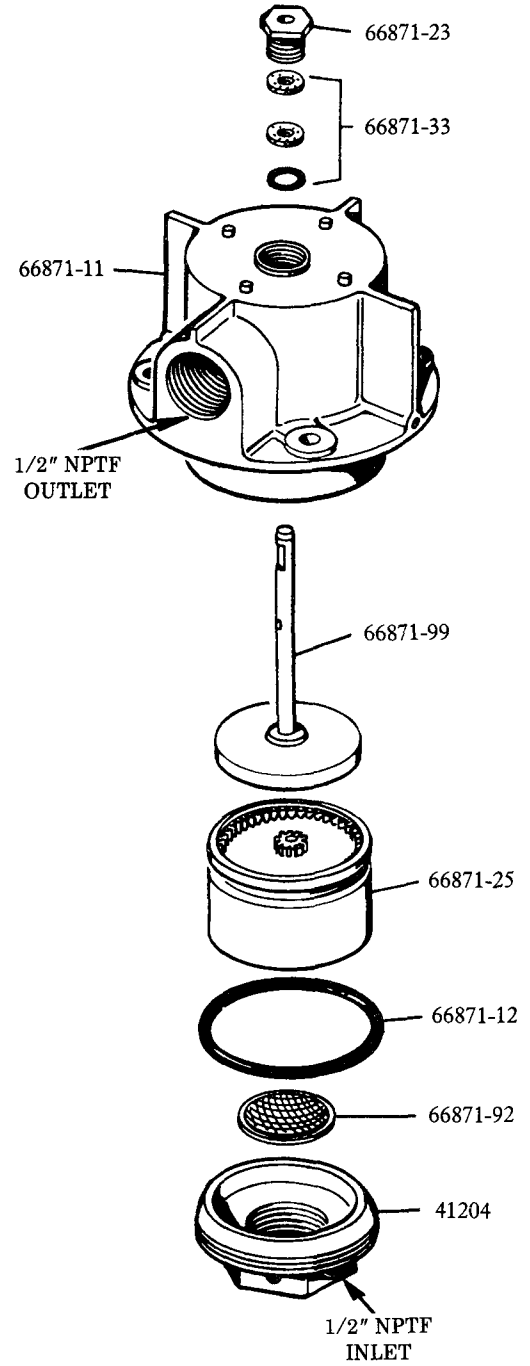
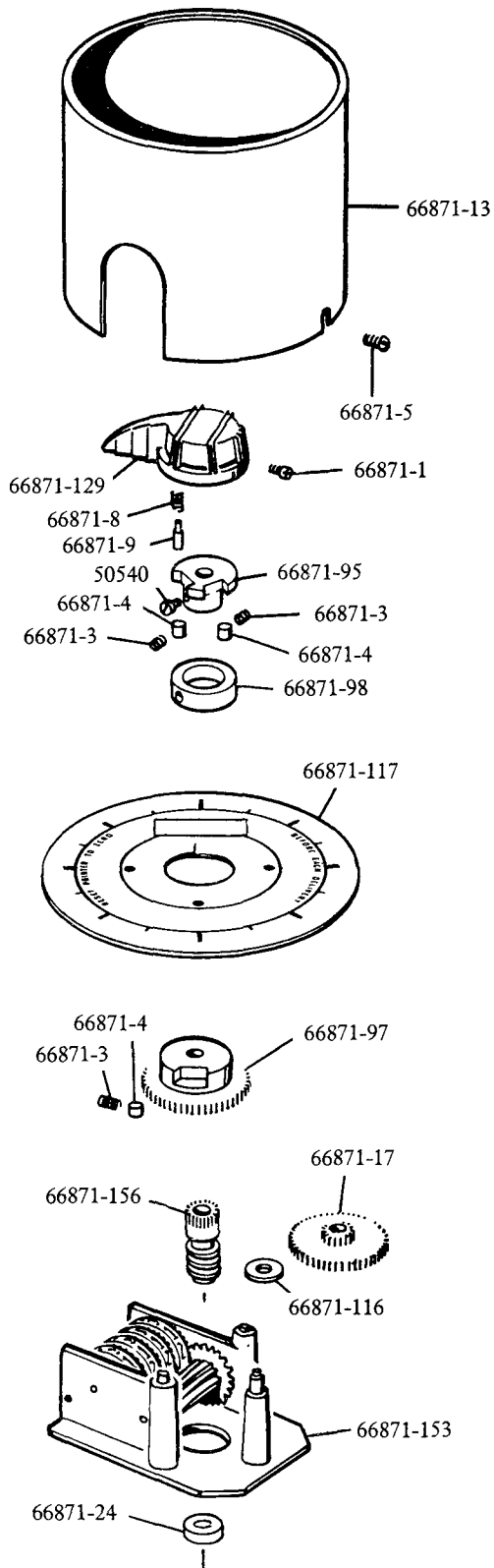


METERS

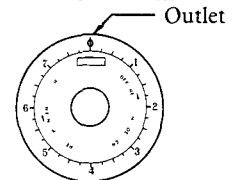
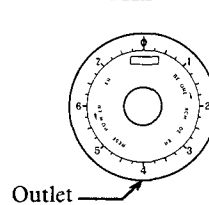
TOTALIZING (U.S. PINTS)

Models 870 66738



MODEL 870

MODEL 66738



LINCOLN McNEIL
A DIVISION OF
CORPORATION
One Lincoln Way, St. Louis, MO 63120 (314) 679-4200

SECTION - **F21**
PAGE - **26**

SERVICE PARTS

PART	QUAN.	DESCRIPTION
41204	1	Housing cap
50540	1	Set screw
66871-1	1	Set screw
66871-3	2	Reset knob roller retaining spring
66871-4	2	Reset knob clutch roller
66871-5	2	Shroud screw
66871-8	1	Reset knob plunger spring
66871-9	1	Reset knob plunger
66871-11	1	Housing
66871-12	1	Housing cap gasket
66871-13	1	Shroud
66871-17	1	Inner circle pointer gear
66871-23	1	Packing gland nut
66871-24	1	Upper driving pawl worm spacer
66871-25	1	Chamber & piston assembly
66871-33	1	Packing assembly
66871-92	1	Filter screen
66871-95	1	Reset lock cam
66871-97	1	Compound gear & hub assembly
66871-98	1	Clutch retainer sleeve
66871-99	1	Upper driving pawl spindle & gear assmbly
66871-116	1	Washer
66871-117	1	Dial
66871-129	1	Reset knob
66871-153	1	Register assembly
66871-156	1	Upper driving pawl, double worm, (left hand)

————— RETAIN THIS INFORMATION FOR FUTURE REFERENCE —————

When ordering replacement parts, list: Part Number, Description, Model Number, and Series Letter.

LINCOLN provides a Distributor Network that stocks equipment and replacement parts.

A list of Authorized Service Departments will be furnished upon request.