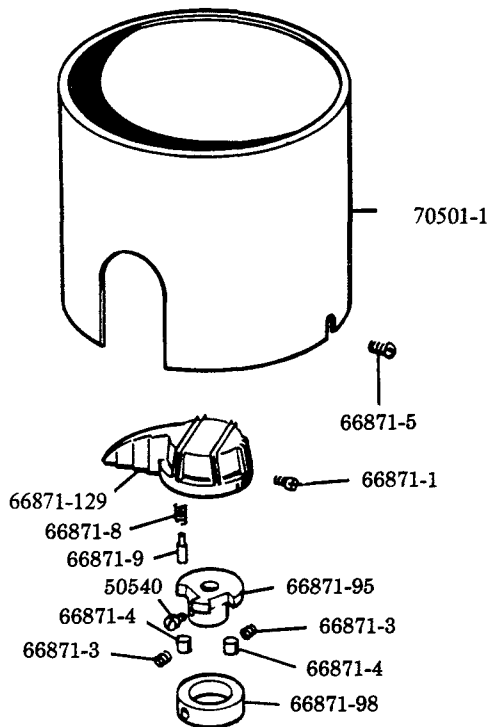


NON-TOTALIZING

IMPORTANT

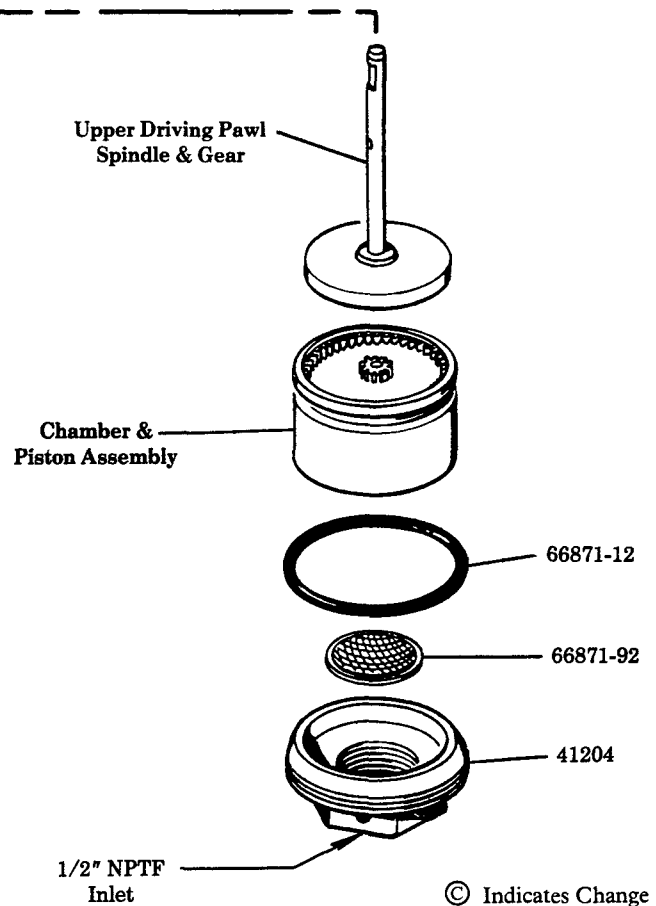
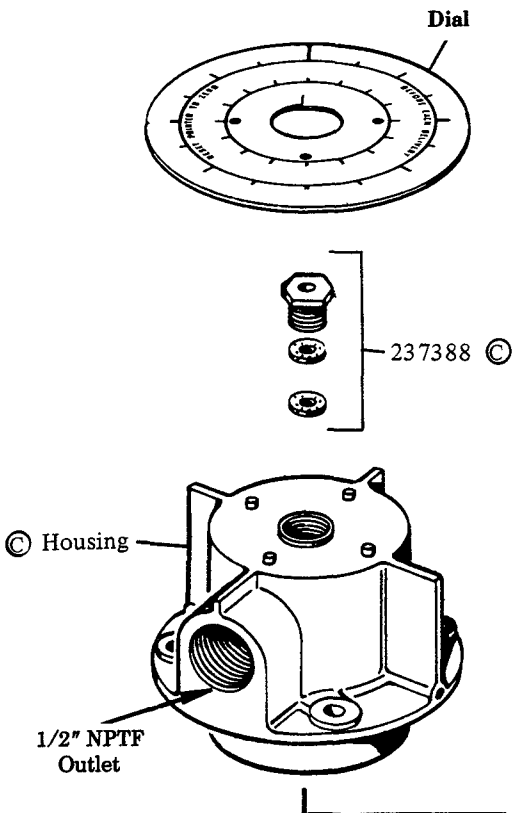
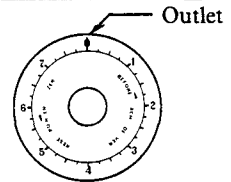
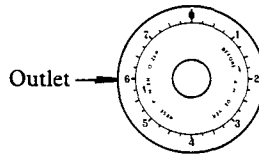
Before meter can be placed in service "after repair", meter must be tested and approved in accordance with U.S. Government's weights and measures standards.

MODEL	2870 & 68585 (Pint)	2873 (Liter)
Chamber & Piston Assembly	66871-25	66871-78
Upper Driving Pawl Spindle & Gear	66871-102	66871-105
Dial	68314	66871-90



MODEL 2870

MODEL 68585, 2873 ©



© Indicates Change

SERVICE PARTS

PART	QUAN.	DESCRIPTION
41204	1	Housing cap
50540	1	Set screw
66871-1	1	Set screw
66871-3	2	Spring-clutch roller
66871-4	2	Reset knob clutch roller
66871-5	2	Shroud screw
66871-8	1	Reset knob plunger spring
66871-9	1	Shoulder pin
66871-12	1	"O"-ring
237388	1	Packing gland kit
66871-92	1	Filter screen
66871-95	1	Reset lock cam
66871-98	1	Clutch retainer sleeve
66871-129	1	Reset knob
70501-1	1	Shroud

RETAIN THIS INFORMATION FOR FUTURE REFERENCE

When ordering replacement parts, list: Part Number, Description, Model Number, and Series Letter.

LINCOLN provides a Distributor Network that stocks equipment and replacement parts.

A list of Authorized Service Departments will be furnished upon request.