

**TOTALIZING w/3 DIGIT RESET DIAL
CONTAINS BUNA-N SEALS**

SPECIFICATIONS

Flow Range: 3-30 gpm (11-114 lpm)
Max. Working Pressure: 50 psi (3.5 kg/cm²)

UL APPROVED

TO REPLACE MEASURING CHAMBER

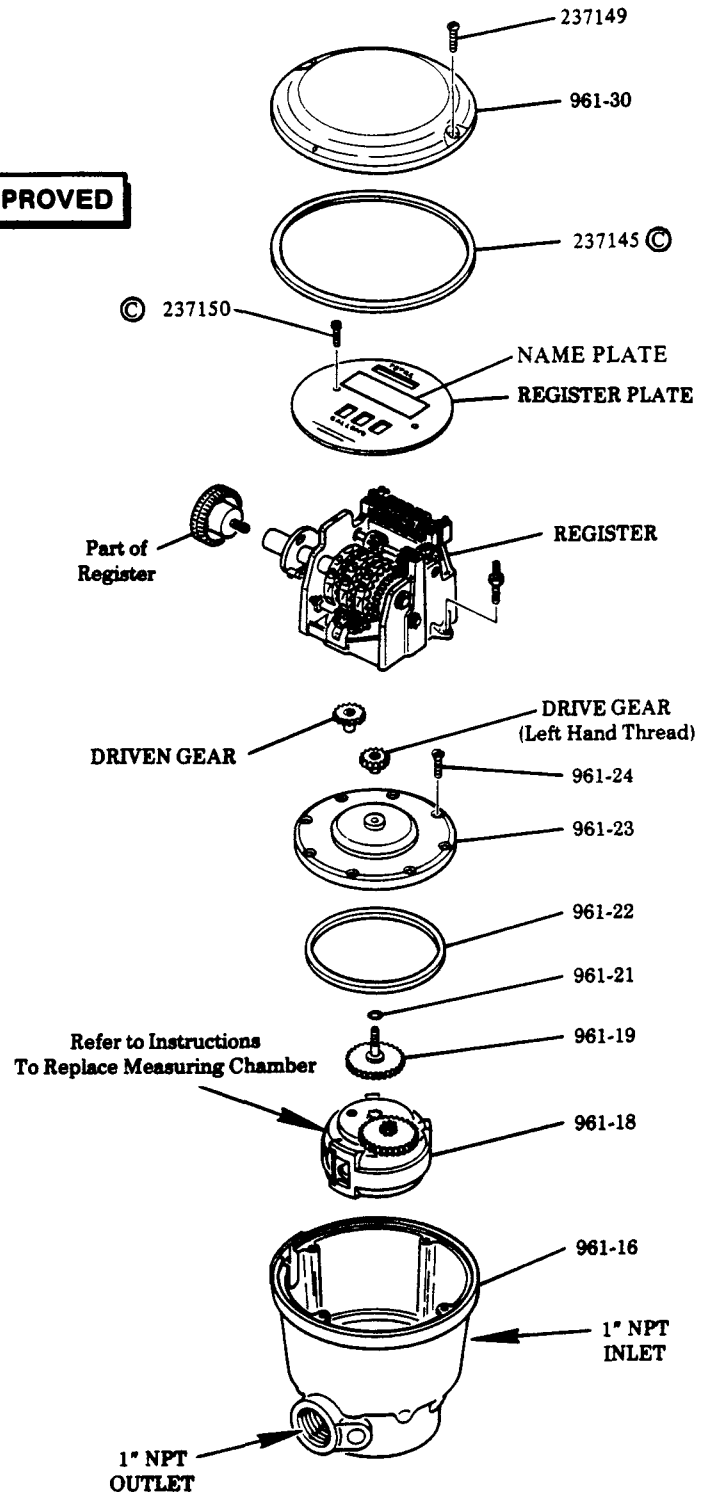
Invert 961-16 Meter Housing and rap on wooden surface until measuring chamber drops out. Remove pins from old measuring chamber. Position new measuring chamber in meter housing and mark location of pins. Remove and file grooves at pin locations. Replace measuring chamber in meter housing and drive pins into position to hold measuring chamber in place. Check for free rotation of gears and wobble plate.

MODEL CHART

	Model 961	Model 964
MEASURE	GALLONS	LITRES
USE	GAS or DIESEL FUEL	
DRIVE GEAR	961-25	964-25
DRIVEN GEAR	961-26	964-26
REGISTER	961-27	964-27
REGISTER PLATE	237147	237148
NAME PLATE	237143	237143

SERVICE PARTS

Part	Quan.	Description
961-16	1	Meter body
961-18	1	Measuring chamber
961-19	1	#2 gear
961-21	1	O-ring
961-22	1	Cover plate seal
961-23	1	Cover plate w/bushing
961-24	8	Cover plate screw
237145	1	Meter cover gasket
961-30	1	Meter cover
237149	2	Screw
237150	2	Screw



© INDICATES CHANGE

SPECIFICATIONS

Flow Range: 3-30 gpm (11-114 lpm)
 Max. Working Pressure: 1000 psi (70 kg/cm²)

TO REPLACE MEASURING CHAMBER

- Ⓒ Invert 237133 Meter Housing and rap on wooden surface until measuring chamber drops out. Remove pins from old measuring chamber. Position new measuring chamber in meter housing and mark location of pins. Remove and file grooves at pin locations. Replace measuring chamber in meter housing and drive pins into position to hold measuring chamber in place. Check for free rotation of gears and wobble plate.

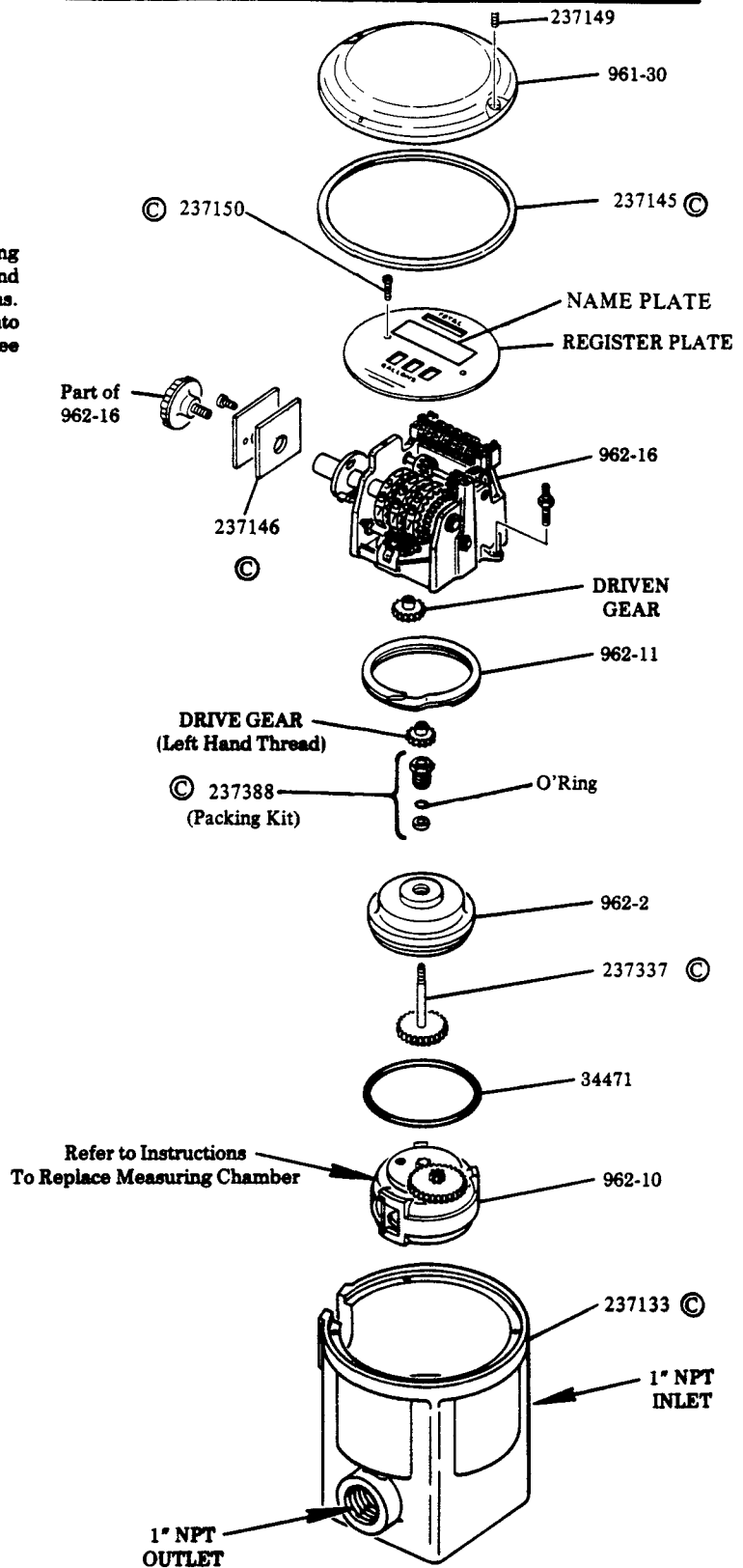
MODEL CHART

	Model 962	Model 963
MEASURE	GALLONS	LITRES
USE	ATF & OILS up to 40 Wt.	
*DRIVE GEAR	962-17 (38W) 962-18 (34W) 962-19 (35W) 962-20 (36W) 962-21 (37W)	963-7
*DRIVEN GEAR	962-22	963-1 (61P) 963-2 (62P) 963-3 (63P) 963-4 (64P) 963-5 (65P) 963-6 (66P)
REGISTER PLATE	237139	237140
NAME PLATE	237147	237148

*Number in parenthesis corresponds to number stamped on gear. Order replacement gears by part number only.

SERVICE PARTS

Part	Quan.	Description
961-30	1	Meter cover
962-2	1	Meter plug
962-10	1	Measuring chamber
962-11	1	Retaining ring
962-16	1	Register
34471	1	O-ring
237133	1	Meter housing
237145	1	Meter Cover Gasket
237337	1	No. 2 gear
237146	2	Reset dial packing
237149	2	Screw
237150	1	Screw
237388	1	Packing Kit



Ⓒ INDICATES CHANGE

RETAIN THIS INFORMATION FOR FUTURE REFERENCE

When ordering replacement parts, list: Part Number, Description, Model Number, and Series Letter.

LINCOLN provides a Distributor Network that stocks equipment and replacement parts.