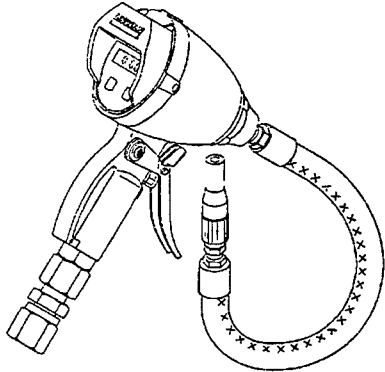


OWNER/OPERATOR MANUAL



SPECIFICATIONS

	<u>ENGLISH</u>	<u>METRIC</u>
MAX. FLOW *	4 g.p.m.	15 liters/min.
MIN.FLOW *	0.25 g.p.m.	0.95 liters/min.
OPERATING PRESSURE (MAX.)	1500 p.s.i.	100 Bar
OPERATING TEMP.(MIN./MAX.)	0°/150° F.	-18°/70°C.
ACCURACY	±0.5 %	±0.5 %
WEIGHT	3 lbs.	1.36 kg.
5 DIGIT LCD DISPLAY 5/16" HIGH	pt./qt./gal.	liters
INLET AND OUTLET CONNECTIONS	1/2" NPTF	1/2" BSPP

LITHIUM BATTERY POWERED (minimum life 2 years or more)

* Tested with oil at ambient temperature, Min./Max. flow rates will vary with fluid viscosity.

DESCRIPTION

Model 967 electronic lube meter is designed specifically for dispensing a variety of petroleum products such as motor oils (S.A.E. 5-50), gear oils (S.A.E. 80-240), automatic transmission fluid, or anti-freeze (Ethylene Glycol) solution. Balance, lightweight, ruggedness, and comfortable grip make it the best choice for use with overhead reels. A cast aluminum housing is coated with a oven baked epoxy finish to resist scratches. Magnetic drive prevents any possibility of leakage contaminating the register module.

The electronic register module contains a microprocessor board powered by a lithium battery with a expected life of 2-5 years depending on usage. It can be programmed to dispense pints, quarts, liters, or gallons and will totalize in liters or gallons. A calibration factor and unit of measure are programmed in each meter when it is factory tested. Units can be electronically re-calibrated in the field by **authorized personnel**, when necessary.

A 5 digit liquid crystal display, accurate to the third decimal place, shows the exact amount of fluid dispensed. The entire register module is protected from the wear and tear of normal shop use by a rugged, glassfilled, Nylon housing.

FEATURES

- Magnetically driven register
- Leakproof
- LCD display.
- Three decimal point resolution
- Electronic calibration.
- Totalize in Gallons or Liters.
- Dispense in Pints, Quarts, Liters, or Gallons.
- Few moving parts.
- Low maintenance costs.
- Improved accuracy.

OWNER/OPERATOR RESPONSIBILITY

It is the owner/operator responsibility to properly use and maintain this equipment.

The instructions contained in this manual shall be read and understood by the owner/operator prior to operating this equipment.

If an owner/operator does not understand English, the contents of this manual shall be explained in the owner/operator native language to assure the owner/operator comprehends.

It is the owners/operators responsibility to maintain the legibility of any warning and instruction labels.

The owner/operator shall retain this manual for future reference to important operating and repair instructions.

PROGRAMMING DISPLAY

The electronic lube meter liquid crystal display may be programmed for English or Metric increments. Perform the following procedure to change the units of measure.

- A. Remove three screws attaching register module to the meter housing.
- B. Press and hold PROGRAMMING switch located on bottom of module. Unit of measure will flash.
- C. Press RESET switch until desired unit appears.
- D. Release PROGRAMMING switch.
- E. Reinstall register module in meter housing and tighten screws.

OPERATION

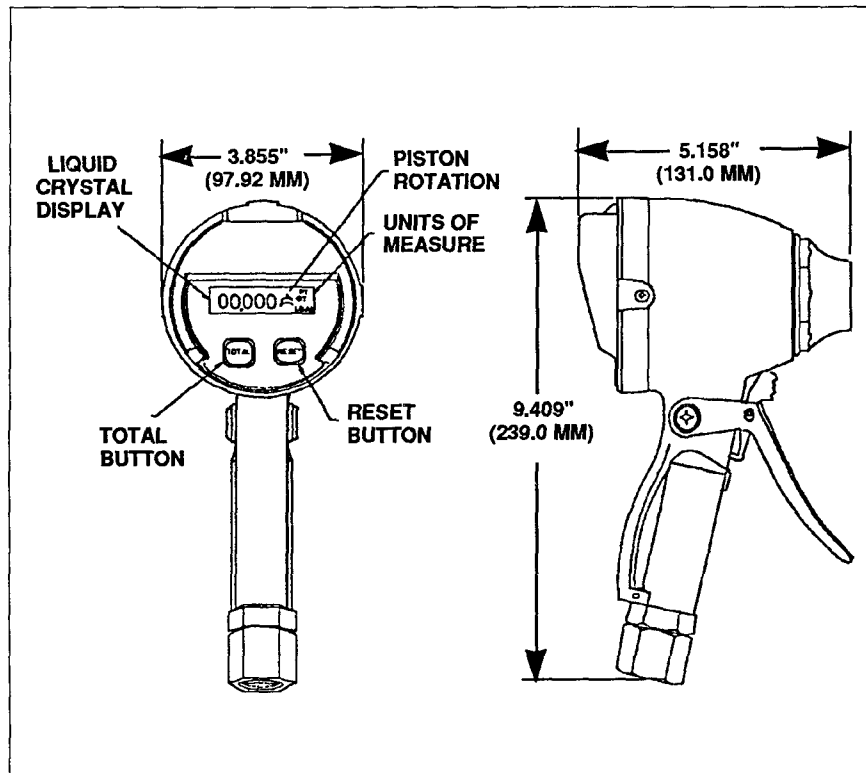
After all entrapped air and/or foreign particles are **removed from the supply line**, clean oil continuously passes through the metering chamber by entering the inlet port, displacing the piston, and exiting the outlet port. Each oscillation of the piston displaces a given volume of fluid. Controlled clearances between the piston and chamber wall insure accurate measurements. As the piston oscillates, its center hub rotates a magnet which activates the microprocessor.

Depress the RESET button with your thumb to reset the totalizer to zero before each use. Squeeze the trigger handle to dispense the desired amount of fluid.

Total amount used from inventory can be checked periodically by depressing the TOTAL button. If the units dispensed are pints, quarts, or gallons, the totalizer will read in gallons. If the units dispensed are liters, the totalizer will read in liters.

TROUBLESHOOTING

All meters are shipped with a unit of measure preprogrammed at the factory. A built-in "error detection" feature will cause the numbers on the LCD to flash if the microprocessor does not receive the proper pulse rate. If this should occur, the entire register module should be replaced. Refer to REPAIR.



LIMITED WARRANTY

Lincoln, A Pentair Company, warrants that lubrication equipment, materials dispensing equipment and other related equipment manufactured by it will be free from defects in material and workmanship during the one (1) year following the date of purchase. If equipment proves to be defective during this warranty period, it will be repaired or replaced without charge, provided that factory examination indicates the equipment to be defective. To obtain repair or replacement, it must be shipped, transportation charges prepaid, with proof of date of purchase to a Lincoln authorized Warranty and Service Center, within the one (1) year following the date of purchase.

This warranty is extended to the original retail purchaser only. This warranty does not apply to equipment damaged from accident, overload, abuse, misuse, negligence, faulty installation or abrasive or corrosive materials, or to equipment repaired or altered by anyone not authorized by Lincoln to repair or alter the equipment. This warranty applies only to equipment installed and operated according to the recommendations of Lincoln or its authorized field personnel. No other express warranty applies to lubrication equipment, materials dispensing equipment, and other related equipment manufactured by Lincoln.

ANY IMPLIED WARRANTIES applicable to lubrication equipment, materials dispensing equipment, and other related equipment manufactured by Lincoln INCLUDING THE WARRANTIES OF MERCHANTABILITY AND FITNESS FOR A PARTICULAR PURPOSE, WILL LAST ONLY FOR ONE (1) YEAR FROM THE DATE OF PURCHASE. SOME STATES DO NOT ALLOW LIMITATIONS ON HOW LONG AN IMPLIED WARRANTY LASTS, SO THE ABOVE LIMITATION MAY NOT APPLY TO YOU.

In no event shall Lincoln be liable for incidental or consequential damages. The liability of Lincoln on any claim for loss or damage arising out of the sale, resale, or use of lubrication equipment, materials dispensing equipment, and other related equipment shall in no event exceed the purchase price. SOME STATES DO NOT ALLOW THE EXCLUSION OR LIMITATION OF INCIDENTAL OR CONSEQUENTIAL DAMAGES, SO THE ABOVE LIMITATION OR EXCLUSION MAY NOT APPLY TO YOU.

THIS WARRANTY GIVES YOU SPECIFIC LEGAL RIGHTS AND YOU MAY ALSO HAVE OTHER RIGHTS WHICH VARY FROM STATE TO STATE.

REPAIR

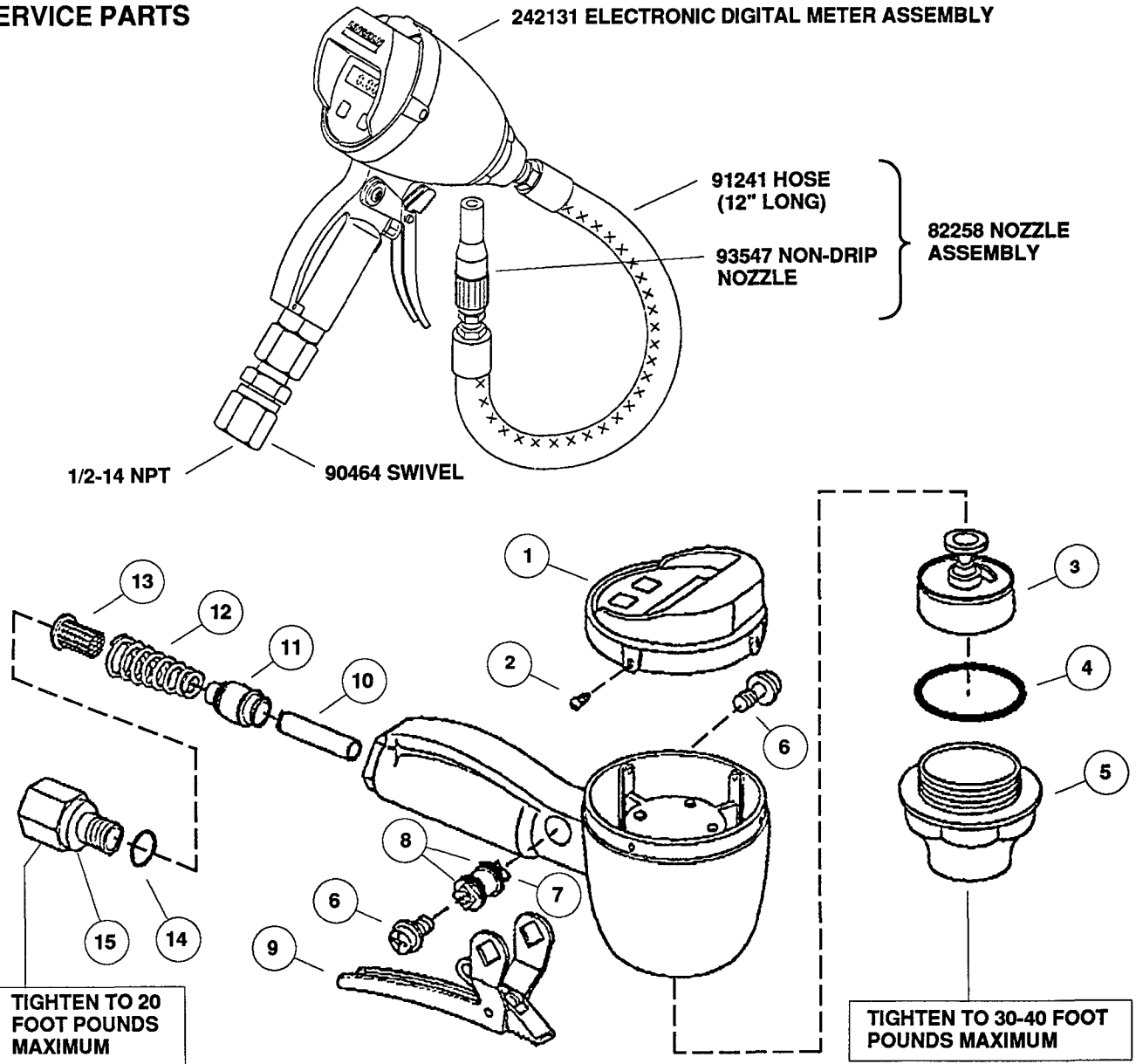
Repair is limited to replacement of listed service parts. Special procedures and tools are required. If the register module is replaced, the lube meter must be

tested and approved in accordance with appropriate Weight and Measures Standards before the lube meter can be returned to service. Contact Lincoln Customer Service, One Lincoln Way, St. Louis, MO 63120-1578, (314) 679-4300

for your nearest factory authorized service center.

When ordering replacement parts, list the part number, description, model number and series letter.

SERVICE PARTS



ITEM	PART	QTY	DESCRIPTION	ITEM	PART	QTY	DESCRIPTION
1	242317	1	Register Module	9	68410-1	1	Trigger Assy.
2	242318	3	Screw	10	68410-6	1	Sleeve
3	242319	1	Chamber & Magnet Assy.	11	68410-25	1	Valve & Seat
4	66871-12	1	O-ring	12	69304-3	1	Spring
5	68410-14	1	Housing Cap NPT	13	68410-27	1	Screen
6	68410-2	2	Screw	14	242320	1	O-ring
7	68410-5	1	Cam	15	242321	1	Adapter
8	68410-4	2	Quad Ring				