

SPECIFICATIONS

High pressure control valve for dispensing inks, lubricants, bonding compositions, sealers, adhesives and various types of materials used in industry.

MATERIALS: Packings are compatible with common synthetic and petroleum based hydraulic fluids.

OPERATING PRESSURE: 5000 PSI Max.



WARNING

DO NOT alter or modify any part of the equipment as this may cause a malfunction and result in serious bodily injury.

DO NOT exceed the stated maximum operating pressure.

DO NOT attempt to repair or disassemble while the system is pressurized.

NEVER point the dispensing valve at any part of or at another person.

ALWAYS follow the fluid manufacturer's recommendations regarding compatibility and the use of protective clothing and equipment.

ALWAYS check equipment for proper operation before each use, making sure safety devices are in place and operating properly. Tighten all connections before each use.

DESCRIPTION

Model 85905 Flow Gun is designed to allow the operator complete control of the volume of fluid or material dispensed.

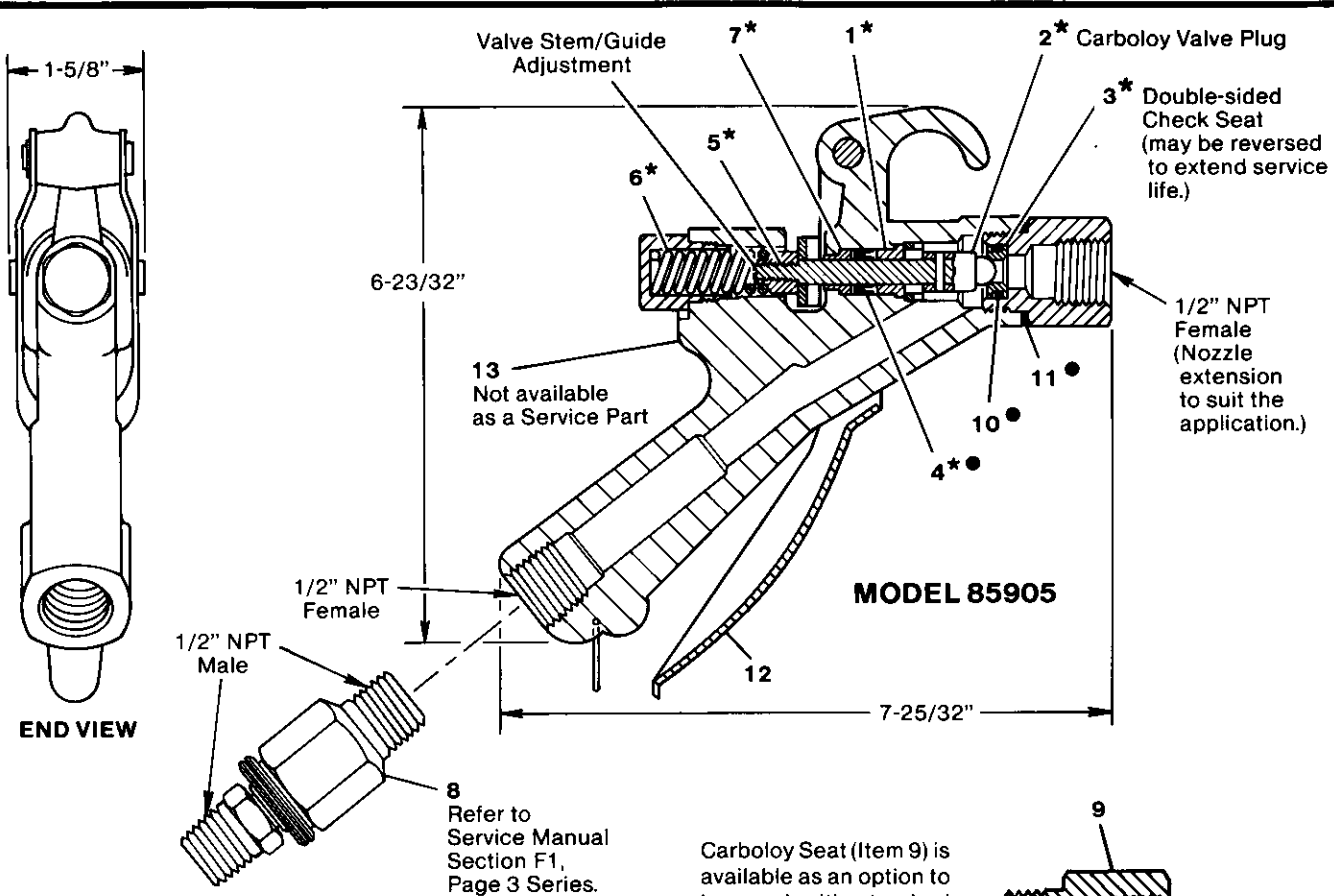
SAFETY INSTRUCTIONS

This equipment is for professional use only. Observe all warnings. Read and understand all instructions before operating equipment. Extreme caution should be used when operating this equipment as personal injury and/or property damage can result from equipment misuse.

OPERATING INSTRUCTIONS

The control member is an easy to operate, long contoured trigger handle. It can be held in an open position for prolonged periods, or triggered repeatedly with a minimum of operator fatigue.

A pivoted latch ring attached to the flow gun body can be used to hold the trigger in the open position for dispensing with an uninterrupted flow. The latch is designed so that it can be easily disengaged and pivoted out of the way when not in use.

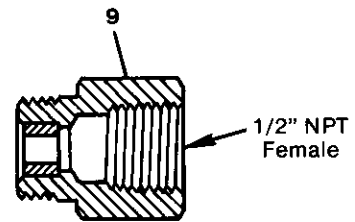


SERVICE PARTS

Item No.	Description	Qty.	Part No.
1	Rod guide	1	*
2	Carboloy valve plug	1	*
3	Check seat	1	*
4	U-cup (polyurethane)	1	*●
5	Valve stem	1	*
6	Spring	1	*
7	Packing washer	1	*
8	Swivel	1	82072
9	Carboloy seat (optional)	1	91935
10	O-ring (buna-N)	1	*●
11	Gasket	1	*●
12	Handle	1	45843
13	Body	1	N/A

N/A - Not Available

Carboloy Seat (Item 9) is available as an option to be used with standard Carboloy Valve Plug (Item 2) when dispensing abrasive materials (see Service Parts).



***REBUILD KIT**

Part No. 244824 Rebuild Kit contains all normal wear parts for this Flow Gun. Item numbers included in kit indicated by (*), above.

●SOFT PARTS KIT

Part No. 246010 Soft Parts Kit contains parts required for replacement of soft seals only. Item numbers included in kit indicated by (●), above.

TROUBLESHOOTING

Condition	Possible Cause	Corrective Action
Material or fluid leakage from nozzle when trigger is released. If leak persists.	Foreign particles between Check Seat (Item 3) and Valve Plug (Item 2). Worn or damaged Check Seat (Item 3) and/or Valve Plug (Item 2).	Clean both parts with cleaning fluid and a stiff brush. Reverse Check Seat (Item 3) in outlet adapter. Replace components using 244824 Rebuild Kit.
Material or fluid leakage past Valve Stem (Item 5).	Worn or damaged Valve Stem (Item 5), U-cup (Item 4) and/or Packing Washer (Item 7).	Replace components using 244824 Rebuild Kit or 246010 Soft Parts Kit as necessary.
Restricted output flow with trigger fully engaged.	Incorrect valve stem/guide adjustment.	Adjust valve stem (slotted end) flush with guide.

RETAIN THIS INFORMATION FOR FUTURE REFERENCE

When ordering replacement parts, list: Part Number, Description, Model Number and Series Letter.
LINCOLN provides a Distributor Network that stocks equipment and replacement parts.