

CAUTION

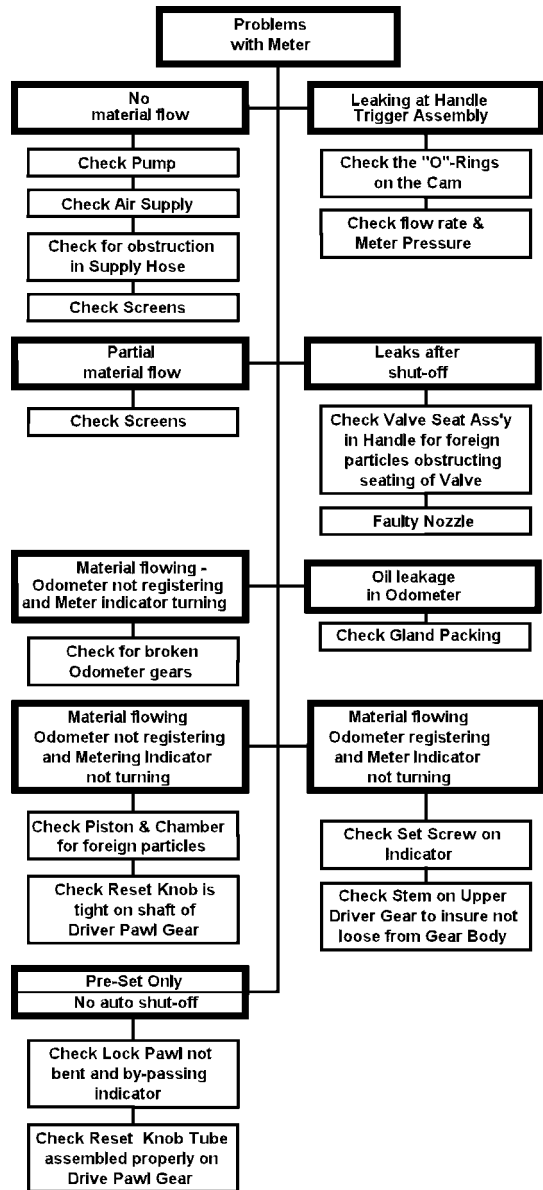
BEFORE METER CAN BE PLACED IN SERVICE "AFTER REPAIR", METER MUST BE TESTED AND APPROVED IN ACCORDANCE WITH U.S. GOVERNMENT'S WEIGHTS AND MEASURES STANDARDS.

CAUTION

NEW METERING SYSTEMS MUST BE PURGED PRIOR TO INSTALLATION OF METERING CONTROL VALVE TO FREE SYSTEM OF CONTAMINATES.

OPERATION

The meter can handle petroleum products such as automatic transmission fluid, S.A.E. 5 to 50 wt. motor oil, S.A.E. 80 to 240 wt. gear oil and antifreeze fluid (ethylene glycol). The meter can be locked in the on position by engaging the trigger lock, to release the lock, the trigger must be depressed thus releasing the lock. Before each use, reset the meter by rotating the indicator knob counterclockwise to zero.



SPECIFICATIONS:

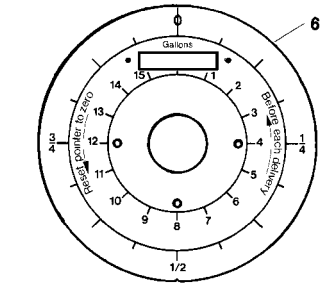
Dial Capacity	32 Ounces - 16 Quarts
Totalizer	Quarts
Flow Max.	4 Gallons per min. (15 Liters per min.)
Flow Min.	0.4 Gallons per min. (1.5 Liters per min.)
Operating Pres. Max.	1000 PSI (70 Bar)
Operating Temp. Max.	110°F (45°C)
Accuracy	+/- 0.65%
Weight	3.3 Lbs. (1.5 Kg.)



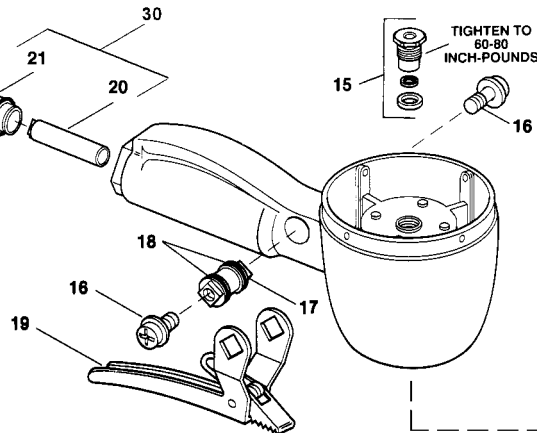
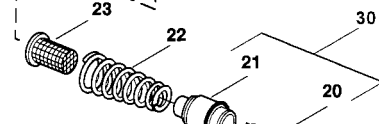
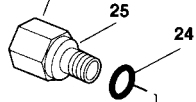
CAUTION

DO NOT TURN POINTER IN A CLOCKWISE DIRECTION AS THIS WILL DAMAGE METER.
The pointer can only be returned to the zero stop in a counterclockwise direction after delivery.

Inner circle indexes in full quarters up to sixteen quarts.
Outer circle indexes in fourths of one quart.



TIGHTEN TO 20 FT POUNDS MAX



TIGHTEN TO 60-80 INCH-POUNDS

TIGHTEN TO 30-40 FT-POUNDS

SERVICE PARTS

Item	Description	Part No.	Item	Description	Part No.	Item	Description	Part No.
1	*Shroud Protector	242911	11	Upper Driving Pawl Worm Gear	66871-54	21	**Valve Seat Assembly	
2	Shroud	68410-12	12	Inner Circle Pointer Gear	66871-17	22	Spring	69304-3
3	Shroud Screw	66871-5 (4)	13	Spacer	69304-23	23	Screen	68410-27
4	Knob Assembly	242912	14	Register Assembly	69795-3	24	O-Ring	243176
5	Inner Circle Pointer	66871-53	15	Packing Kit	237388	25	Adapter	243175
6	Dial Assembly	68410-26	16	Screw	68410-2 (2)	26	Upper Driving Pawl Gear Assbly.	66871-111
7	Inner Circle Pointer Cam	66871-50	17	Cam	68410-5	27	Chamber & Piston Assembly	68410-15
8	Clutch Spring	66871-3	18	O-Ring	68410-4 (2)	28	Housing Cap Gasket	66871-12
9	Clutch Roller	66871-4	19	Valve Trigger Assembly	68410-1	29	Housing Cap	68410-14
10	Set Screw	50541	20	**Valve Sleeve Assembly		30	Valve Assembly (BUNA-N)	271700©

* May be purchased separately

**See valve assembly item 30

© Indicates change