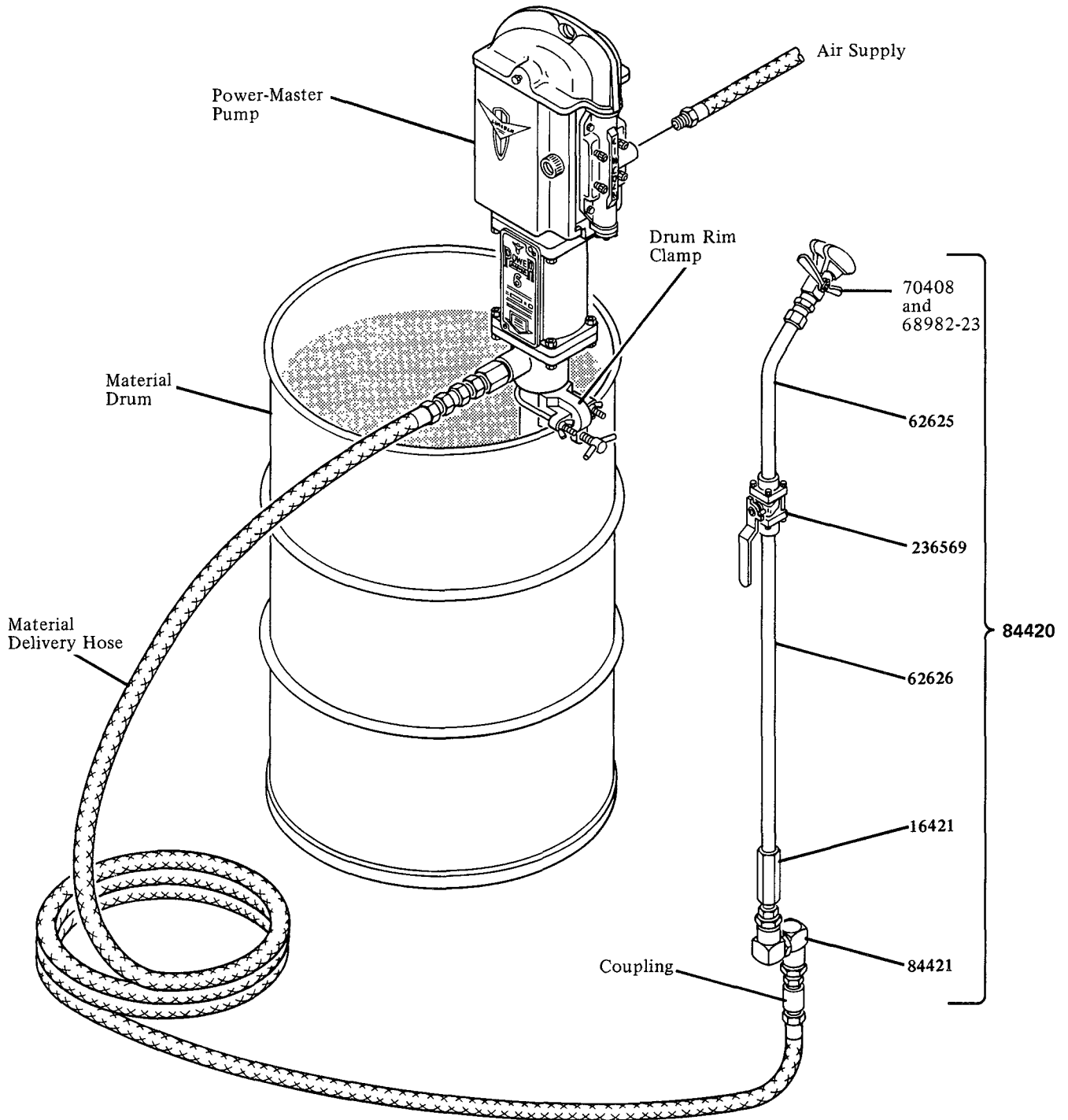
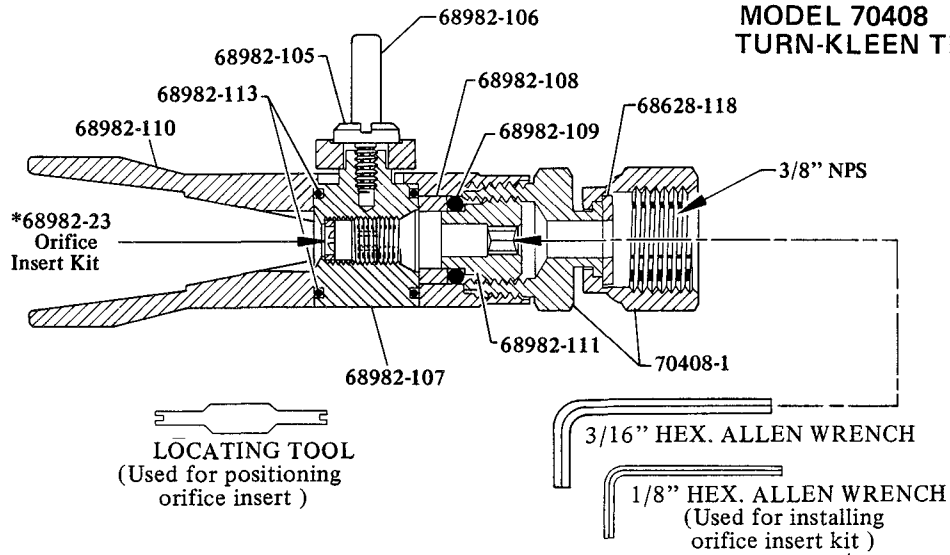


2500 PSI MAXIMUM

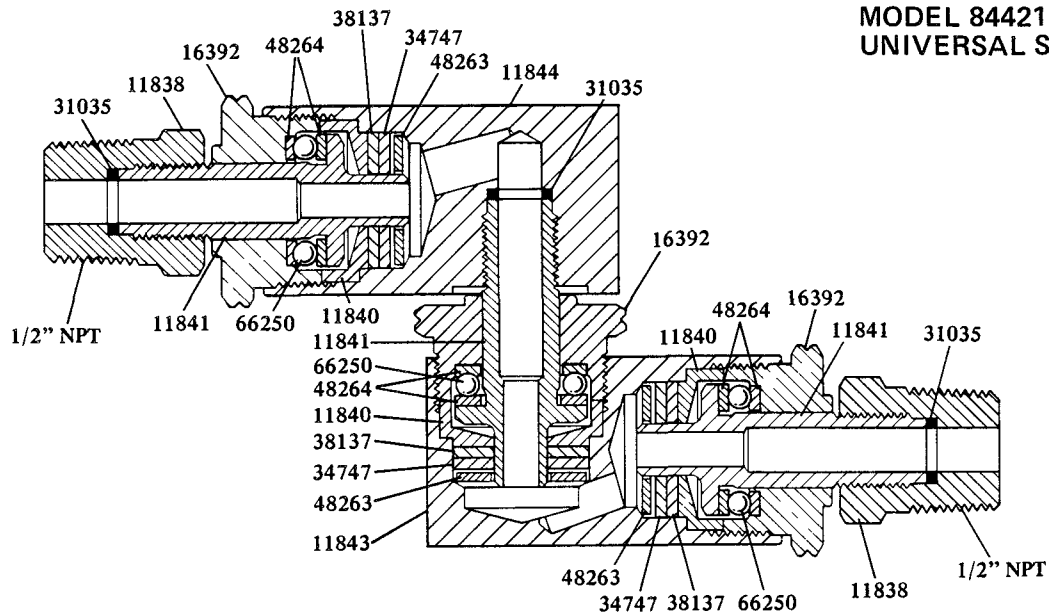


**MODEL 70408
TURN-KLEEN TIP ADAPTER**



*Not included in 70408

**MODEL 84421
UNIVERSAL SWIVEL**



SERVICE PARTS

PART	QUAN.	DESCRIPTION	PART	QUAN.	DESCRIPTION	PART	QUAN.	DESCRIPTION
11838	2	Adapter	48263	3	Packing washer	68982-108	1	Teflon packing
11840	3	Packing retainer	48264	6	Thrust washer	68982-109	1	O-ring (viton)
11841	3	Swivel stud	62625	1	Tubing	68982-110	1	Cylinder body
11843	1	Swivel body	62626	1	Tubing	68982-111	1	Adjusting screw
11844	1	Swivel body	66250	39	Steel ball	68982-113	2	O-ring (viton)
16392	3	Swivel nut	68628-118	1	Nylon tip gasket	70408	1	Turn-Kleen tip adapter
16421	1	Coupling handle	68982-23	1	Orifice insert kit	70408-1	1	Cap assembly
31035	3	Gasket	68982-105	1	Screw	84421	1	Universal swivel assembly
34747	3	Swivel packing (viton)	68982-106	1	Handle	236569	1	Ball valve
38137	3	Leather packing	68982-107	1	Cylinder			

RETAIN THIS INFORMATION FOR FUTURE REFERENCE

When ordering replacement parts, list: Part Number, Description, Model Number, and Series Letter.

LINCOLN provides a Distributor Network that stocks equipment and replacement parts.
A list of Authorized Service Departments will be furnished upon request