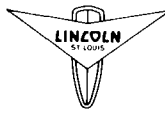
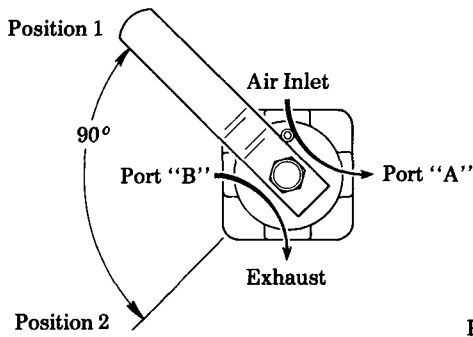
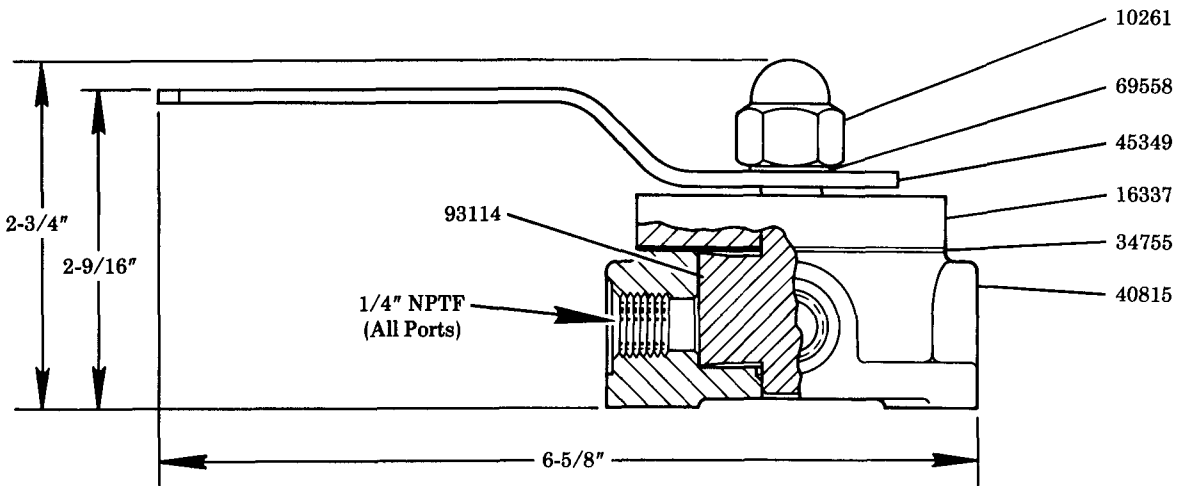
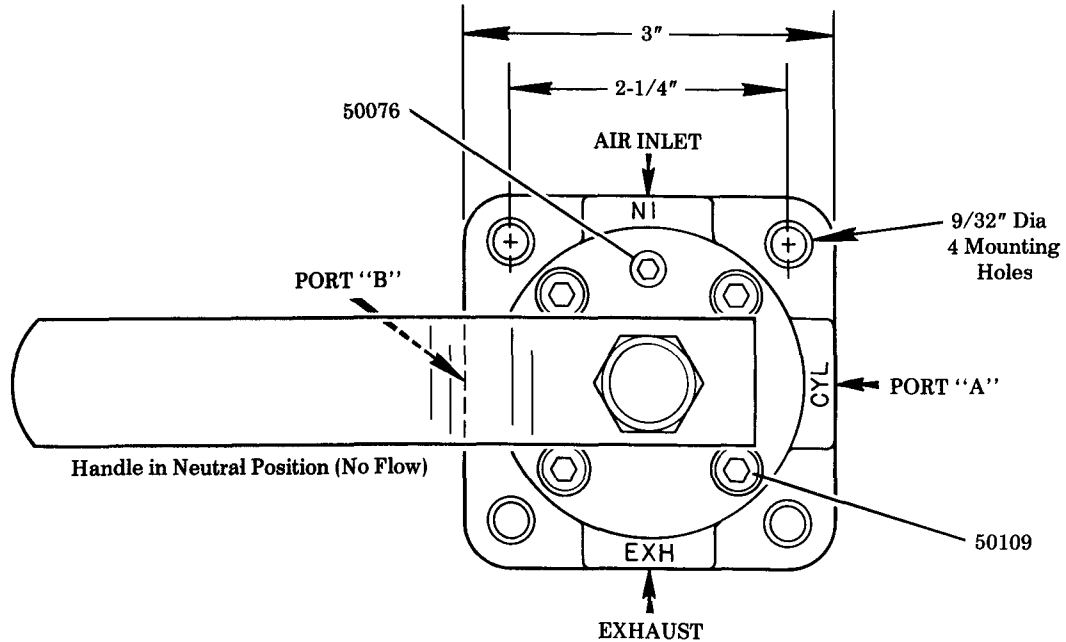


4 WAY AIR VALVE

200 PSI MAX. AIR PRESSURE

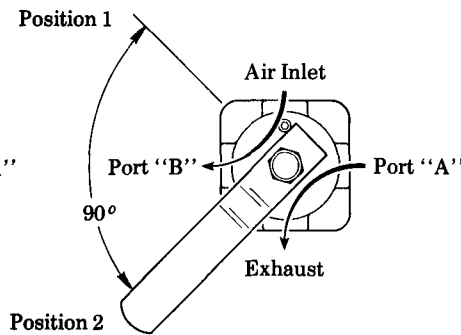


Model 84493



POSITION 1

Handle in Position 1 directs air from inlet thru Port "A" and air from Port "B" thru exhaust



POSITION 2

Handle in Position 2 directs air from inlet thru Port "B" and air from Port "A" thru exhaust.

SERVICE PARTS

PART	QUAN.	DESCRIPTION
10261	1	Acorn nut
16337	1	Valve cap
34755	1	Valve gasket
40815	1	Valve body
45349	1	Valve handle
50076	1	Screw
50109	4	Screw
69558	1	Lockwasher
93114	1	Valve

LINCOLN ST. LOUIS
4010 GOODFELLOW BLVD · ST. LOUIS, MO 63120 · (314) 383 5900



A DIVISION OF
McNEIL
CORPORATION

SECTION - **F3**
PAGE - **9**