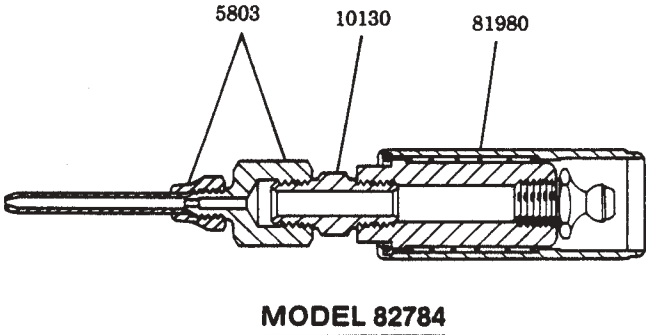
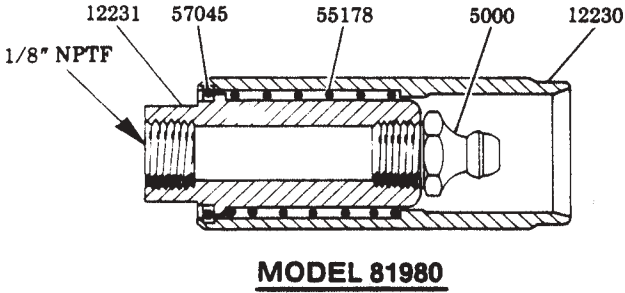
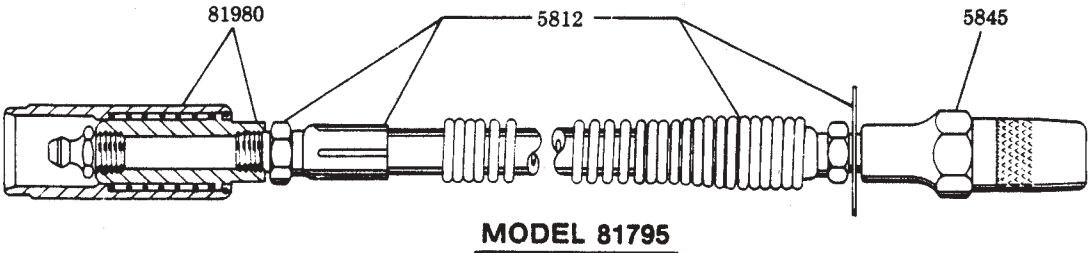
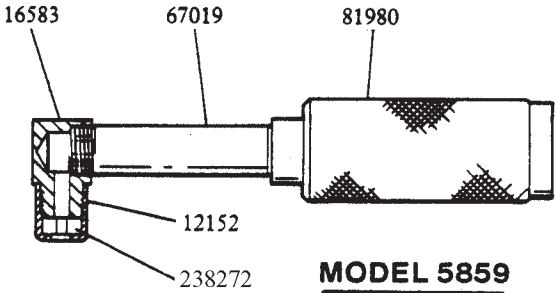


# Adapters and Couplers



————— RETAIN THIS INFORMATION FOR FUTURE REFERENCE —————

When ordering replacement parts, list: Part Number, Description, Model Number, and Series Letter.  
 LINCOLN provides a Distributor Network that stocks equipment and replacement parts.  
 A list of Authorized Service Departments will be furnished upon request.